



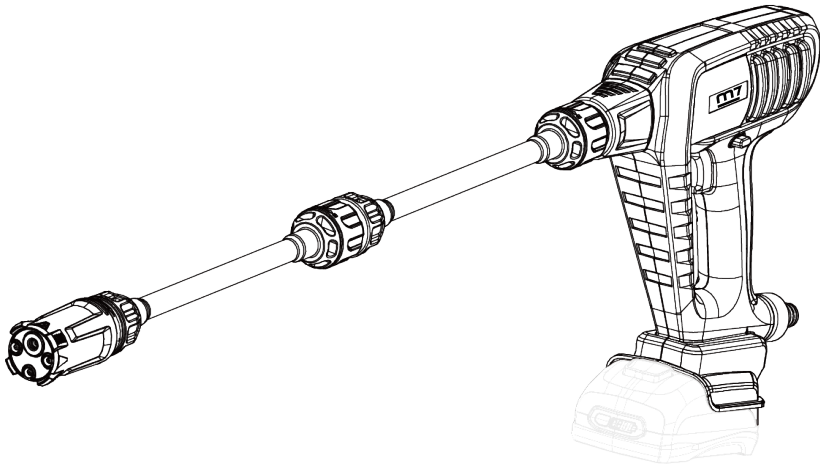
# ***User's Manual***

■ Pressure Washer Gun

**DPW-101**

CE UK  
CA

**DPW-101A**



Mighty Seven International Co., Ltd.



<http://www.mighty-seven.com>

**⚠ CAUTION**

**To Reduce The Risk Of Injury, User Must Read And Understand Operator's Manual. Save These Instructions For Future Reference.**



# GERNERAL SAFETY RULES

## INTENDED USE

This Pressure Washer Gun is intended for cleaning boats, cars, decks, driveways, grills, house siding, motorcycles, patios, and outdoor furniture.

This appliance is not intended for use by persons (including children) with reduced physical, sensory or mental capabilities, or lack of experience and knowledge, unless they have been given supervision or instruction concerning use of the appliance by a person responsible for their safety.

1. Children should be supervised to ensure that they do not play with the appliance.
2. Cleaning and user maintenance shall not be made by children without supervision.
3. Liquid not directed towards equipment containing electrical components (such as the interior of ovens).
4. The new hose-sets supplied with the appliance are to be used and that old hose-sets should not be reused.
5. The appliance shall not be left unattended while it is connected to battery package.
6. The appliance is not to be used if it has been dropped, if there are visible signs of damage or if it is leaking.
7. Keep the appliance out of reach of children when it is energized or cooling down.

## GERNERAL POWER TOOL SAFETY WARNINGS

### WARNING

Read all safety warnings, instructions, illustrations and specifications provided with this power tool.

Failure to follow the warnings and instructions may result in electric shock, fire and/or serious injury.

Save all warnings and instructions for future reference.

The term "power tool" in the warnings refers to your mains-operated (corded) power tool or battery-operated (cordless) power tool.

## WORK AREA SAFETY

1. **Keep work area clean and well lit.**  
Cluttered or dark areas invite accidents.
2. **Do not operate power tools in explosive atmospheres, such as in the presence of flammable liquids, gases or dust.** Power tools create sparks which may ignite the dust or fumes.
3. **Keep children and bystanders away while operating a power tool.**  
Distractions can cause you to lose control.

## ELECTRICAL SAFETY

1. **Power tool plugs must match the outlet. Never modify the plug in any way. Do not use any adapter plugs with earthed (grounded) power tools.** Unmodified plugs and matching outlets will reduce risk of electric shock.
2. **Avoid body contact with earthed or grounded surfaces such as pipes, radiators, ranges and refrigerators.** There is an increased risk of electric shock if your body is earthed or grounded.
3. **Do not expose power tools to rain or wet conditions.** Water entering a power tool will increase the risk of electric shock.
4. **Do not abuse the cord. Never use the cord for carrying, pulling or unplugging the power tool. Keep the cord away from heat, oil, sharp edges or moving parts.** Damaged or entangled cords increase the risk of electric shock.

# GERNERAL SAFETY RULES

5. **When operating a power tool outdoors, use an extension cord suitable for outdoor use.** Use of a cord suitable for outdoor use reduces the risk of electric shock.
6. **If operating a power tool in a damp location is unavoidable, use a ground-fault circuit interrupter (RCD) protected supply.** Use of a RCD reduces the risk of electric shock.
6. **Dress properly. Do not wear loose clothing or jewelry. Keep your hair, clothing and gloves away from moving parts.** Loose clothes, jewelry or long hair can be caught in moving parts.
7. **If devices are provided for the connection of dust extraction and collection facilities, ensure that these are connected and properly used.** Use of these devices can reduce dust-related hazards.

## PERSONAL SAFETY

1. **Stay alert, watch what you are doing and use common sense when operating a power tool. Do not use the tool while tired or under the influence of drugs, alcohol, or medication.** A moment of inattention while operating power tools may result in serious personal injury.
2. **Use personal protective equipment. Always wear eye protection.** Protective equipment such as a dust mask, non-skid safety shoes, hard hat, or hearing protection, used for appropriate conditions, will reduce personal injuries.
3. **Prevent unintentional starting. Ensure that the switch is in the off-position before connecting to a power source and/or battery pack, picking up or carrying the tool.** Carrying power tools with your finger on the switch or energizing power tools that have the switch on invites accidents.
4. **Remove any adjusting key or wrench before turning the power tool on.** A wrench or a key left attached to a rotating part of the power tool may result in personal injury.
5. **Do not overreach. Keep proper footing and balance at all times.** This enables better control of the power tool in unexpected situations.

8. **Do not let familiarity gained from frequent use of tools allow you to become complacent and ignore tool safety principles.** A careless action can cause severe injury within a fraction of a second.

## POWER TOOL USE AND CARE

1. **Do not force the power tool. Use the correct power tool for your application.** The correct power tool will do the job better and more safely at the rate for which it was designed.
2. **Do not use the power tool if the switch does not turn it on and off.** Any power tool that cannot be controlled with the switch is dangerous and must be repaired.
3. **Disconnect the plug from the power source and/or the battery pack from the power tool before making any adjustments, changing accessories, or storing power tools.** Such preventive safety measures reduce the risk of starting the power tool accidentally.
4. **Store idle power tools out of the reach of children and do not allow persons unfamiliar with the power tool or these instructions to operate the power tool.** Power tools are dangerous in the hands of untrained users.
5. **Maintain power tools. Check for misalignment or binding of moving parts, breakage of parts and any other condition that may affect the power tool's operation. If damaged, have the power tool repaired before use.**

## GENERAL SAFETY RULES

Many accidents are caused by poorly maintained power tools.

- 6. Keep cutting tools sharp and clean.** Properly maintained cutting tools with sharp cutting edges are less likely to bind and are easier to control.
- 7. Use the power tool, accessories, tool bits, etc. in accordance with these instructions, taking into account the working conditions and the work to be performed.** Use of the power tool for operations different from those intended could result in a hazardous situation.
- 8. Keep handles and grasping surfaces dry, clean and free from oil and grease.** Slippery handles and grasping surfaces do not allow for safe handling and control of the tool in unexpected situations.

### BATTERY TOOL USE AND CARE

- 1. Recharge only with the charger specified by the manufacturer.** A charger that is suitable for one type of battery pack may create a risk of fire when used with another battery pack.
- 2. Use power tools only with specifically designated battery packs.** Use of any other battery packs may create a risk of injury and fire.
- 3. When battery pack is not in use, keep it away from other metal objects, like paper clips, coins, keys, nails, screws or other small metal objects that can make a connection from one terminal to another.** Shorting the battery terminals together may cause burns or a fire.
- 4. Under abusive conditions, liquid may be ejected from the battery; avoid contact. If contact accidentally occurs, flush with water. If liquid contacts eyes, additionally seek medical help.** Liquid ejected from the battery may cause irritation or burns.
- 5. Do not use a battery pack or tool that is damaged or modified.** Damaged or modified batteries may exhibit unpredictable behaviour resulting in fire, explosion or risk of injury.
- 6. Do not expose a battery pack or tool to fire or excessive temperature.** Exposure to fire or temperature above 130 °C (265 °F) may cause explosion.
- 7. Follow all charging instructions and do not charge the battery pack or tool outside the temperature range specified in the instructions.** Charging improperly or at temperatures outside the specified range may damage the battery and increase the risk of fire.

### SERVICE

- 1. Have your power tool serviced by a qualified repair person using only identical replacement parts.** This will ensure that the safety of the power tool is maintained.
- 2. Never service damaged battery packs.** Service of battery packs should only be performed by the manufacturer or authorized service providers.

# SAFETY INSTRUCTIONS

Please read and understand this entire manual before attempting to assemble and operate the product.

Retain this manual for future reference.

This manual contains information that relates to **PROTECTING PERSONAL SAFETY and PREVENTING EQUIPMENT PROBLEMS**. It is very important to read this manual carefully and understand it thoroughly before using the product. The symbols listed below are used to indicate this information.



Potential hazard that will result in serious injury or loss of life.



Hazard that could result in serious injury or loss of life.



Potential hazard that may result in moderate injury or damage to equipment.

Note: The word “Note” is used to inform the reader of something the operator needs to know about the tool.



Read all safety warnings and instructions. Failure to follow the warnings and instructions may result in electric shock, fire and/or serious injury.

1. Prior to installation of this product, the installation instructions should be read and completely understood. The installation instructions must be read to prevent personal injury and property damage. Keep these installation instructions in an easily accessible location for future reference.
2. This kit contains small parts which can act as a choking hazard if swallowed.
3. Warning – When using this product, basic precautions should always be followed, including the following:
4. Read all the instructions before using the product.
5. Know how to stop the product and bleed pressures quickly. Be thoroughly familiar with the controls.
6. Keep operating area clear of persons.
7. Do not overreach or stand on unstable support. Keep good footing and balance at all times.
8. Follow the maintenance instructions as specified in the manual.
9. To avoid personal injury and/or damage to property and to maximize your power cleaner experience, carefully follow all of the safety tips, instructions, warnings and safeguards and become familiar with all of the controls. Be sure you know how to quickly bleed off the pressure from all parts of your power cleaner and how to turn off the power cleaner.
10. This power cleaner conforms to CSA and other safety and consumer standards. Do not modify or rebuild any part of your power cleaner.
11. Do not use your power cleaner when you are under the influence of alcohol or drugs. Use this power tool carefully and only when you are alert.
12. Watch your balance and footing while using your power cleaner. Surfaces become slippery when wet and are extra slippery when using a detergent or cleaner.
13. Never operate the power cleaner in bare feet, sandals, or open-toed shoes.
14. When using the power cleaner near children, make sure they are closely supervised by an adult to avoid injury. Never let a child use the power cleaner.
15. Keep fingers, hands, feet and any part of your body clear of the stream of high pressure water. The powerful spray can cause blindness or can injure or break skin. It can break a window if you are too close when you pull the trigger on the spray gun.
16. Always wear eye protection to prevent injury to eyes when operating the power cleaner.
17. To avoid mishaps or injury, ALWAYS use the trigger safety lock when not using the power cleaner even if only stopping briefly.
18. Point the spray gun in a safe direction when beginning a power cleaner session.

# SAFETY INSTRUCTIONS

19. Warning- NEVER spray directly at a person, animal, electrical device or the unit itself.
20. When first using the power cleaner, hold it with two hands when pulling the trigger (one hand to pull the trigger and the other to stabilize the assembly) until you get used to the “kickback” from the power cleaner.
21. When you press the power switch to turn off the power cleaner, water pressure may remain in the system. To discharge the pressure, point the power cleaner in a safe direction and pull the trigger.
22. Never spray flammable liquids.
23. Never use the power cleaner in areas that contain combustible dust, liquids or vapors.
24. Avoid contact of the pressure hose with sharp objects and examine the hose regularly. Replace if damaged. Due to the high pressure involved, it cannot be repaired if cut or damaged.
25. Only use detergent specifically formulated for power cleaners and follow instructions on the detergent’s label. Dish or laundry soap is too thick and will clog the nozzle of your foam cannon.
26. Protect eyes, lungs, and skin from exposure to detergent.
27. Warning-If connection is made to a potable water system, the system should be protected against backflow.
28. Never use hot water with your power cleaner. It will overheat and damage the high pressure pump.
29. Never leave the power cleaner unattended while it is powered “on”.
30. Always turn the water supply on before turning the power cleaner power to on. Running the pump dry will cause damage to the internal components.
31. Never use a water supply to your power cleaner that exceeds 150 PSI maximum.
32. Never disconnect the high pressure hose from the power cleaner while the system is pressurized.
33. Never permanently engage the trigger mechanism on the power cleaner.
34. Never operate the power cleaner unless all components are properly and securely connected.
35. Never allow the power cleaner pump to run for more than one minute after you have turned off the water supply. This can cause the motor and pump to overheat and fail.
36. Never use lances or other parts that are not compatible for this specific product.
37. Never spray any electrical outlet with your power cleaner.
38. Stay alert - watch what you are doing.

## CAUTION

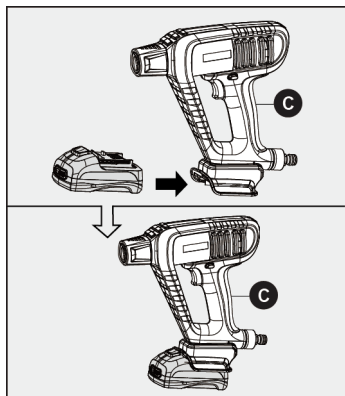
Store the power cleaner indoors to prevent the water in the unit from expanding under freezing conditions. When the water freezes and expands, your power cleaner will be damaged and become inoperable.

## WARNING

This product can expose you to chemicals including lead, phthalate or bisphenol A which are known to the state of California to cause cancer, birth defects or other reproductive harm. Wash your hands after use. For more information go to [www.P65Warnings.ca.gov](http://www.P65Warnings.ca.gov)

# SAFETY INSTRUCTIONS

## BATTERY PACK NOT INCLUDED IN THE UNIT



- Do not handle power cleaner, charger, charger plug, or charger terminals with wet hands.
- Turn off all controls before removing the battery pack.
- Turn off the power cleaner and remove the battery pack before connecting the hose or other accessories.
- Prevent unintentional starting. Ensure the switch is in the off-position before connecting to battery pack, picking up or carrying the power cleaner. Carrying the power cleaner with your finger on the switch invites accidents.
- Disconnect the battery pack from the power cleaner before making any adjustments, changing accessories, or storing power cleaner. Such preventive safety measures reduce the risk of starting the power cleaner accidentally.
- Recharge only with the charger specified by the manufacturer. A charger that is suitable for one type of battery pack may create a risk of fire when used with another battery pack.
- Use power cleaner only with specifically designated battery packs. Use of any other battery packs may create a risk of injury and fire.
- When battery pack is not in use, keep it away from other metal objects, like paper clips, coins, keys, nails, screws or other

small metal objects that can make a connection from one terminal to another. Shorting the battery terminals together may cause burns or a fire.

- Under abusive conditions, liquid may be ejected from the battery; avoid contact. If contact accidentally occurs, flush with water. If liquid contacts eyes, seek medical help. Liquid ejected from the battery may cause irritation or burns.
- Do not use a battery pack or power cleaner that is damaged or modified. Damaged or modified batteries may exhibit unpredictable behavior resulting in fire, explosion or risk of injury.
- Do not expose a battery pack or power cleaner to fire or excessive temperature. Exposure to fire or temperature above 100°C (212°F) may cause explosion.
- Follow all charging instructions and do not charge the battery pack or power cleaner outside of the temperature range specified in the instructions. Charging improperly or at temperatures outside of the specified range may damage the battery and increase the risk of fire.

### CAUTION

TO REDUCE THE RISK OF INJURY FROM MOVING PARTS, DISCONNECT BATTERY PACK BEFORE CLEANING OR SERVICING.

### WARNING

TO REDUCE THE RISK OF FIRE OR EXPLOSION, DO NOT EXPOSE TO RAIN. STORE INDOORS.

### WARNING

TO REDUCE THE RISK OF FIRE OR EXPLOSION, DISCONNECT BATTERY PACK BEFORE CLEANING OR SERVICING.



## SAFETY INSTRUCTIONS

- Avoid storage in direct sunlight.
- Dispose of used battery promptly. when disposing of secondary cells or batteries, keep cells or batteries of different electrochemical systems separate from each other.
- Keep battery out of reach of children and in original package until ready to use.
- Never put batteries in mouth. if swallowed, contact your physician or local poison control center.
- Do not short-circuit a cell or battery. Do not store cells or batteries haphazardly in a box or drawer where they may short-circuit each other or be short-circuited by conductive materials.
- Battery must be recycled.
- Do not subject cells or batteries to mechanical shock.
- Keep cells and batteries clean and dry. Wipe the cell or battery terminals with a clean dry cloth if they become dirty.
- Do not maintain secondary cells and batteries on charge when not in use.
- When possible, remove the battery from the equipment when not in use.
- Have servicing performed by a qualified repair person using only identical replacement parts. This will ensure that the safety of the product is maintained.

# SAFETY INSTRUCTIONS

The purpose of safety symbols is to attract your attention to possible dangers. The safety symbols and the explanations with them deserve your careful attention and understanding. The symbol warnings do not, by themselves, eliminate any danger. The instructions and warnings they give are no substitutes for proper accident prevention measures.

**⚠ WARNING** Be sure to read and understand all safety instructions in this manual, including all safety alert symbols such as “DANGER,” “WARNING,” and “CAUTION” before using this tool. Failure to following all instructions listed below may result in electric shock, fire, and/or serious personal injury.

## SYMBOL MEANING

**⚠ SAFETY ALERT SYMBOL:** Indicates DANGER, WARNING, OR CAUTION. May be used in conjunction with other symbols or pictographs.

**DANGER** indicates an imminently hazardous situation which, if not avoided, will result in death or serious injury.



**WARNING** indicates a potentially hazardous situation which, if not avoided, could result in death or serious injury.



**CAUTION** indicates a potentially hazardous situation which, if not avoided, may result in minor or moderate injury.



### ⚠ WARNING







Read all safety warnings designated by the **⚠** symbol and all instructions.

## SAFETY SYMBOLS

Some of these following symbols may be used on this tool. Please study them and learn their meaning. Proper interpretation of these symbols will allow you to operate the tool better and more safely.

Dangerous Location	Precaution	Marking Label
Using Pressure Washer Gun	Electrostatic discharge devices that may be dangerous to persons bearing pacemakers. If the relative humidity is lower than 20%, please use static eliminator to depress electrostatic phenomenon to prevent the electric shock hazard by electrostatic.	
Pressure Washer Gun	Eyes protection with safety glass	
Pressure Washer Gun	Read the instruction manual carefully before proceeding with start-up, operation, maintenance, or any other jobs on the tool.	

# SAFETY SYMBOLS

Dangerous Location	Precaution	Marking Label
Pressure Washer Gun	Ears protection	
Pressure Washer Gun	Waste electrical products should not be disposed of with household waste. Please recycle where facilities exist. Check with your local authority or retailer for recycling advice.	
Using Pressure Washer Gun	Prevent vibration and using wrench in a short time. Should wear vibration-absorbing gloves and watch out no loosen parts of gloves to prevent entanglement by wrench.	
Using Pressure Washer Gun	Hoses to the water main. Some areas have restrictions against connecting directly to public drinking water supply to prevent the feedback of chemicals into the drinking water supply. Direct connection through a receiver tank or backflow preventer is usually permitted.	
Direct Current	Type Or Characteristic Of Current	
No-load Speed	Rotational Speed At No Load	$n_0$
Class II Construction	Double Insulated Construction	
Per Minute	Revolutions, Strokes, Surface Speed Orbits, etc., Per Minute	.../min or $\text{min}^{-1}$

**⚠ WARNING** To ensure safety and reliability, all repairs should be performed by a qualified service technician.

# SPECIFIC SAFETY RULES

## SPECIFIC SAFETY WARNINGS

1. Use only with the chargers and batteries listed below:

Battery Pack	Charger
DB-1850P	DC-18A

**⚠ WARNING** For use only with **m7** Li-Ion battery pack.

For use only with **m7** battery charger.

2. Always wear safety goggles and ear protector when using this tool.
3. Prevent vibration and using impact driver in a short time. Should wear vibration-absorbing gloves and watch out no loosen parts of gloves to prevent entanglement by impact driver.
4. Ensure the switch is in the off position before inserting battery pack. Inserting the battery pack into power tools that have the switch on invites accidents.
5. Check the impact socket carefully for wear, cracks or damage before installation.
6. Bit, sockets and tools get hot during operation. Wear gloves when touching them after use.
7. Remove the battery pack before changing accessories. Accidental starting may occur, because battery appliances with a battery inserted are in the operative

condition. Switch is off before attaching the battery pack.

**⚠ WARNING** Some dust created by power sanding, sawing, grinding, drilling, and other construction activities contains chemicals known to the state of California to cause cancer, birth defects, or other reproductive harm. Some examples of these chemicals are:

- Lead from lead-based paints
- Crystalline silica from bricks, cement, and other masonry products
- Arsenic and chromium from chemically-treated lumber

Your risk from these exposures varies, depending upon how often you do this type of work. To reduce your exposure to these chemicals:

- Work in a well-ventilated area.
- Work with approved safety equipment, such as dust masks that are specially designed to filter out microscopic particles.
- Avoid prolonged contact with dust from power sanding, sawing, grinding, drilling, and other construction activities. Wear protective clothing and wash exposed areas with soap and water. Allowing dust to get into your mouth or eyes or to lie on the skin may promote absorption of harmful chemicals.

**SAVE THESE INSTRUCTIONS!**

## SAFETY RULES FOR CHARGER

1. Before using battery charger, read all instructions and cautionary markings in this manual and on the battery charger, the battery and the product using the battery to prevent misuse of the products and possible injury or damage.

**⚠ CAUTION** To reduce the risk of electric shock or damage to the charger and battery, charge only those lithium-

ion rechargeable batteries as specially designated on your charger's label. Other types of batteries may burst, causing personal injury or damage.

2. Do not use the charger outdoors or expose it to wet or damp conditions. Water entering the charger will increase the risk of electric shock.

3. Use of an attachment not recommended

or sold by the battery-charger manufacturer may result in a risk of fire, electric shock or injury to persons.

4. Do not abuse the cord or charger. Never use the cord to carry the charger. Do not pull the charger cord to disconnect the plug from receptacle. Damage to the cord or charger could occur and create an electric shock hazard. Replace damaged cords immediately.
5. Make sure that the cord is located so that it will not be stepped on, tripped over, come in contact with sharp edges or moving parts, or otherwise subjected to damage or stress. This will reduce the risk of accidental falls, which could cause injury and damage to the cord, which could then result in electric shock.
6. Keep cord and charger from heat to prevent damage to housing or internal parts.
7. Do not allow gasoline, oils, petroleum-based products, etc. to come in contact with plastic parts. These materials contain chemicals that can damage, weaken, or destroy plastic.
8. An extension cord should not be used unless absolutely necessary. Use of an improper extension cord could result in a risk of fire and electric shock. If an extension cord must be used, make sure that:

The pins on plug of extension cord are the same number, size and shape as those of the plug on charger.

The cord is properly wired and in good electrical condition

The size is large enough for AC ampere rating of charger as specified below:

The Cord Length (Feet) 25' 50' 100'

Cord Size (AWG) **16**

**NOTE:** AWG = American Wire Gauge

9. Do not operate the charger with a damaged cord or plug, which could cause shorting and electric shock. If damaged, have the charger repaired or replaced by an authorized service technician at m7 Service Center.
10. Do not operate the charger if it has received a sharp blow, been dropped, or has otherwise been damaged in any way. Take it to an authorized service technician at m7 Service Center for an electrical check to determine if the charger is in good working order.
11. Do not disassemble the charger. Take it to an authorized service technician at a m7 Service Center when service or repair is required. Incorrect reassembly may result in a risk of electric shock or fire.
12. Unplug the charger from the electrical outlet before attempting any maintenance or cleaning to reduce the risk of electric shock.
13. Disconnect charger from the power supply when not in use. This will reduce the risk of electric shock or damage to the charger if metal items should fall into the opening. It will also help prevent damage to the charger during a power surge.
14. Risk of electric shock. Do not touch the uninsulated portion of output connector or uninsulated battery terminal.
15. Save these instructions. Refer to them frequently and use them to instruct others who may use this tool. If you lend this tool to someone else, also lend these instructions to them to prevent misuse of the product and possible injury.

## GENERAL INFORMATION

The serial number of Mighty Seven would have year in 2nd/3rd digital number and months showed by 4th/5th digital number.

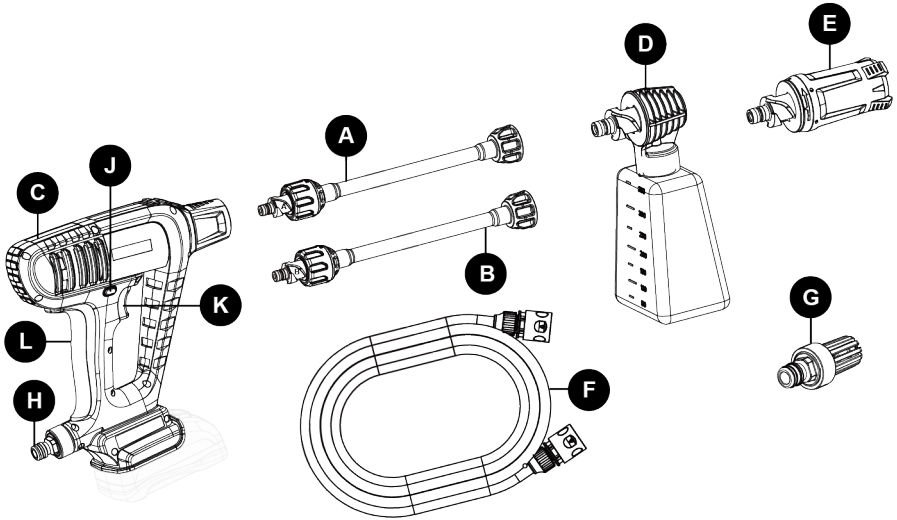
## FUNCTIONAL DESCRIPTION

### OPERATING CONTROL





This Pressure Washer Gun is intended for cleaning boats, cars, decks, driveways, grills, house siding, motorcycles, patios, and outdoor furniture.

#### 1. MAIN PARTS OF DPW-101



PART	DESCRIPTION	QUANTITY
A	Lance A	1
B	Lance B	1
C	Cordless Water Gun	1
D	High Pressure Foam Cannon	1
E	4in1 Nozzle	1
F	13' Water Suction Hose Kit	1
G	Water Filter	1
H	Hose Adapter	1
J	Safety Lock Button	1
K	Power Trigger	1
L	Water Trigger	1

## SPECIFICATIONS

<b>Model</b>	DPW-101
<b>Flow Rate</b>	2.8L/min
<b>Hose Length</b>	4M
<b>Maximum Pressure</b>	2.5 MPa / 360 PSI / 25bar
<b>Battery</b>	Li-ion 5,0 Ah
<b>Rating voltage</b>	18V 
<b>Completely charged</b>	20V 
<b>Tool length</b>	876 mm
<b>Weight</b>	1.72 kg
<b>Pressure of Inlet Water</b>	0.5 MPa MAX.

NOTE: Due to **m7** continuing program of development, the specifications in this manual are given as general information and are not binding. We reserve the right to effect, at any time and without prior notice, changes or alternations to parts, fitting and accessory equipment deemed necessary for any reason what so ever.





DPW-101: **Tested without load by suspended**

**A-weighted sound pressure level measuring:  $L_{pA} = 69$  dB, Uncertainty  $K_{pA} = 3$  dB**

**A-weighted sound power level under calculation:  $L_{WA} = 77$  dB, Uncertainty  $K_{WA} = 3$  dB**

**Vibration level (m/s<sup>2</sup>): 0.2 m/s<sup>2</sup>, Uncertainty K = 1.5 m/s<sup>2</sup>**

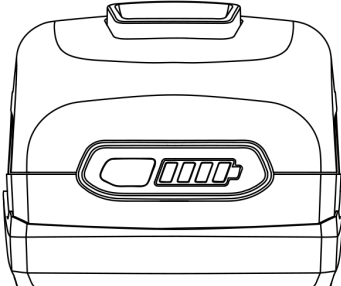
## 1. LED FUNCTIONS OF CHARGER

LED INDICATOR	BATTERY PACK	RED LED	GREEN LED	ACTION
HI/LO TEMP. (SEE MANUAL) 	Hot/Cold battery	On	Off	Charging will begin when battery returns to 0°C-40°C
 DEFECTIVE BATTERY	Defective	Flashing	Off	Battery pack or Charger is defective
BATTERY CHARGING 	Charging	Off	Flashing	Charging
BATTERY FULL 	Fully charged	Off	On	Charging is complete Maintenance charging

## 2. POWER BAR

This Lithium-Ion battery pack is equipped with a POWER BAR, which is used to display the battery pack's remaining run time. Press the POWER BAR button to display the LED lights. The LED lights will stay lit for approximately 4 seconds.

NOTE: The POWER BAR can be used whether the battery is attached or removed from tool.



● ● ● ●	80-100% Charge
● ● ● ○	60-79% Charge
● ● ○ ○	40-59% Charge
● ○ ○ ○	20-39% Charge
●* ○ ○ ○	Under 20% Charge
●* ●* ●* ●*	Completely Discharged
●* ○ ●* ○	High/Low Temperature

## 3. LOW-BATTERY CAPACITY INDICATOR

- If LED worklights on the POWER BAR begins to rapidly and continuously flash when the trigger switch on the wrench is depressed, the battery pack's power has run out, and the battery pack should be recharged.
- Unlike other battery pack types, Lithium-Ion battery packs deliver fade-free power for their entire run time. The tool will not experience a slow, gradual loss of power as you work. To signal that the battery pack is at the end of its run time and needs to be charged, the power to the tool will drop quickly. The POWER BAR will begin to display four flashing LED lights when the battery is completely discharged. When this happens, remove the tool from the workpiece, and charge the battery pack as needed.

NOTE: The POWER BAR may also display four flashing LED lights due to an overload or high temperature situation.

## 5. WHEN TO CHARGE THE BATTERY PACK

The Lithium-Ion battery can be charged at any time and will not develop a "memory" when charged after only a partial discharge. It is not necessary to run down the battery pack charge before recharging. Remove the battery pack from the tool when convenient for you and your job.

- Use the POWER BAR to determine when you need to recharge the battery pack.
- You can "top-off" your battery pack's charge before starting a big job or long period of use.

## 4. STORAGE RECOMMENDATIONS

- The best storage place is one that is cool and dry, away from direct sunlight and excess heat or cold, Do not exceed 40°C (104 °F).
- For long storage, it is recommended to store a fully charged battery pack in a cool dry place out of the charger for optimal results.

**⚠ CAUTION** The battery pack will need to be recharged before use.



# ASSEMBLY

**⚠ WARNING** If any part is broken or missing, DO NOT attempt to attach the battery or operate the tool until the broken or missing part is replaced. Failure to do so could result in possible serious injury.

**⚠ WARNING** Do not attempt to modify this tool or create accessories not recommended for use with this tool. Any such alteration or modification is misuse and could result in a hazardous condition leading to possible serious injury.

**⚠ WARNING** Your tool should never be connected to the battery when you are assembling parts, making adjustments, installing or removing blades, cleaning, or when it is not in use. Disconnecting the tool will prevent accidental starting, which could cause serious personal injury.

## CONTENTS

On The packing

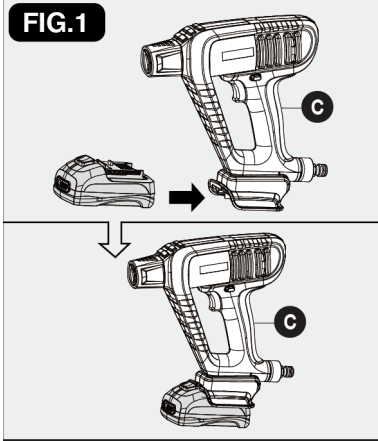
## UNPACKING

1. Carefully remove the tool and any accessories from the carton. Make sure that all items listed in the packing list are included.
2. Inspect the tool carefully to make sure that no breakage or damage occurred during shipping.
3. Do not discard the packing material until you have carefully inspected and satisfactorily operated the tool.

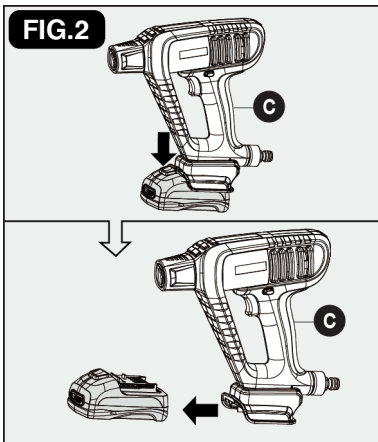
# ASSEMBLY INSTRUCTIONS

## INSTALLING AND REMOVING BATTERY PACK

To insert the battery pack, slide it into the battery bay until it snaps into place (FIG.1).

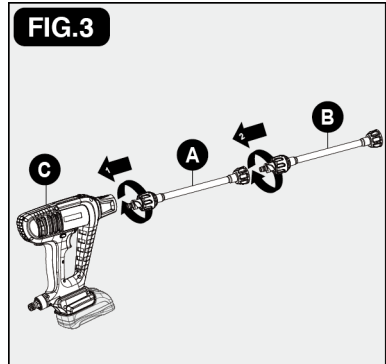


To remove the battery pack, press the latch and pull it out of the battery bay (FIG.2).



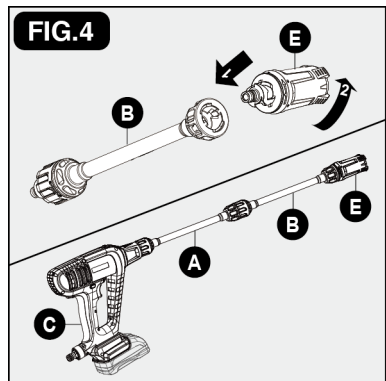
## EXTENSION LANCE AND NOZZLE INSTALLATION

While the cordless power cleaner (C) is in the locked position, insert the lance (A) into the end of the power cleaner by pulling and turning clockwise until it is fully in place and insert the lance (B) into the lance (A). To remove, turn counterclockwise.



Attach 4 in 1 nozzle (E) into end of lance (B) by pressing it into place and turning clockwise. To remove, turn counterclockwise.

**Note:** Always push the safety lock button to lock trigger when changing lances and nozzles to ensure that they do not accidentally eject with force during this operation.



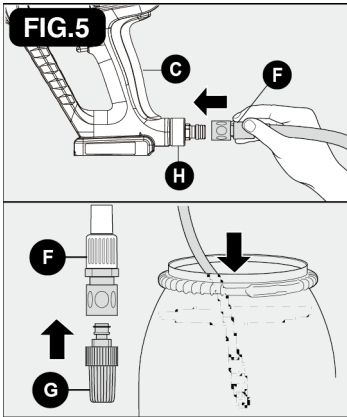
# ASSEMBLY INSTRUCTIONS

## WATER SUPPLY CONNECTION

Attach the water suction hose kit (F) to the hose adapter (H). Attach the filter (G) to the hose kit (F).

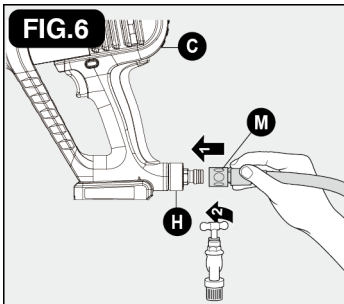
**Note:** Flush out garden hose before connecting to garden hose adapter.

The power cleaner can run on water from a water tank or other sources. Always intake clean water only. Always use the water suction hose kit (F) and clean the filter (G) on a regular basis (FIG.5).



The power cleaner can also run on water from faucet. The adaptor (M) to garden hose is included in the box (FIG.6).

Always attach a water filter between hose adapter and faucet to prevent damages to the power cleaner.



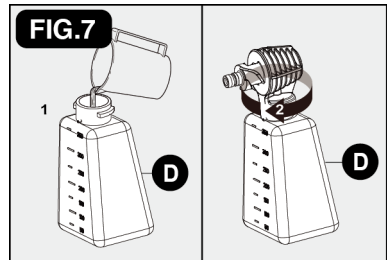
You have now completed the assembly and are ready to begin using your power cleaner.

Read and observe all safety instructions.

## FOAM CANNON INSTALLATION

The foam cannon comes with a straw which is fitted into high pressure top. If you do not see the straw, look inside the foam cannon and attach it to the high pressure top. When using foam cannon, fill it with a properly formulated detergent or cleaner with a water ratio according to instructions on the container.

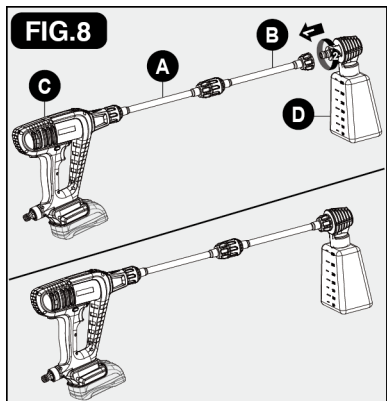
- **DO NOT** use thick or gel-like detergents as they will clog the foam cannon and can cause damage.



Attach Foam Cannon (D) into end of lance(B) by pressing cannon into place. It will make a “click” sound when firmly in place.

**Note:** Always lock triggers when changing the foam cannon to ensure it does not eject with force.

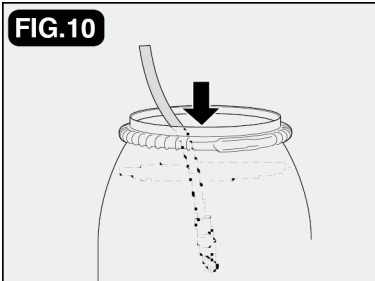
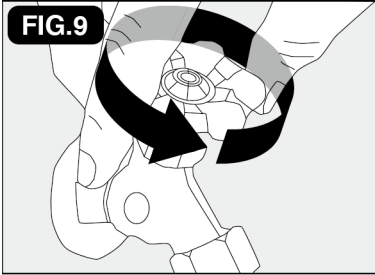
- When using the foam cannon, fill it with a properly formulated detergent or cleaner with water ratio according to instructions on the container.



# OPERATING INSTRUCTIONS

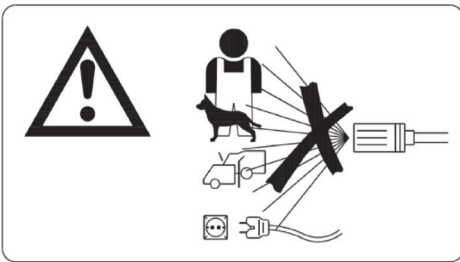
Make sure to operate the safety lock button (J) to lock the trigger.

Turn on water supply at the faucet (FIG.9) or fill the water tank with enough water in order to fully cover the water filter (FIG.10).

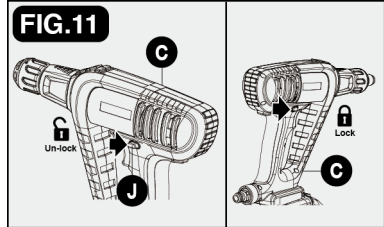


## ⚠ WARNING

The maximum suction height of the power cleaner from a water tank is 1 meter / 3,2 feet.



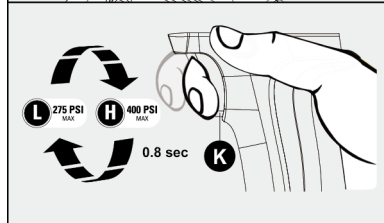
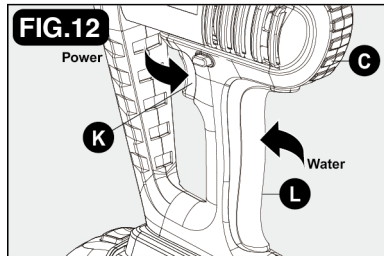
Push the safety lock button (J) to unlock the trigger (K). Point the power cleaner in a safe direction, squeeze the trigger (K) to start the power cleaner and push the water trigger (L) to intake water until there is a steady stream of water. Keep the power cleaner working until all air is drained from the suction hose.



Squeeze triggers (K) and (L) water trigger to begin pressure washing.

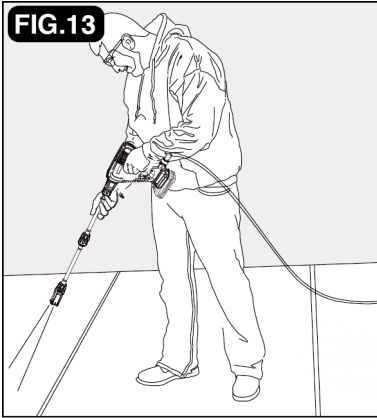
Release them to stop the power cleaner.

Allow the device to come to a complete stop before squeezing them again.

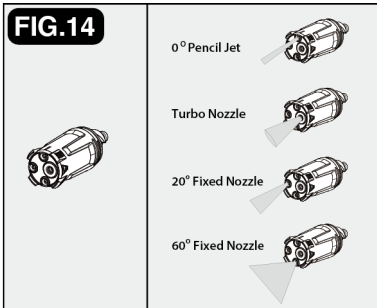


# OPERATING INSTRUCTIONS

Always test a small area to avoid chance of damaging the surface.

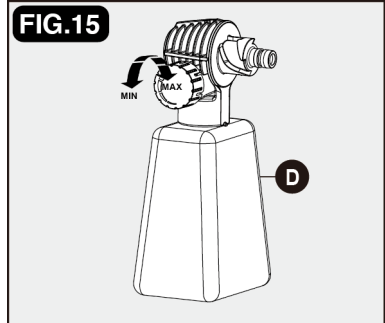


The machine comes with 4-in-1 nozzle. The nozzles are 0°, 20°, 60° and rotating turbo nozzle. To change between nozzles, turn clockwise. To remove the 4-in-1 nozzle from the lance, turn counter clockwise and it will detach.



## ADJUSTING SOAP LEVELS ON FOAM CANNON

Twist knob to adjust the level of soap as indicated on the top of the Foam Cannon (D). Twist toward the higher concentration of bubbles for more soap, or the opposite direction for less.



## HOW TO AVOID DAMAGING SURFACES

Damage to surfaces being cleaned occurs because the impact force of the water pressure exceeds the durability of the surface.

Bare wood can be penetrated, paint can be peeled off, etc. You can vary the force of your power cleaner by controlling:

1. The angle of the surface being cleaned.
2. The distance of the nozzle from the surface being cleaned.

Never use a narrow high pressure stream of water on soft surfaces susceptible to damage.

## OPERATION

### 1. BATTERY CHARGING

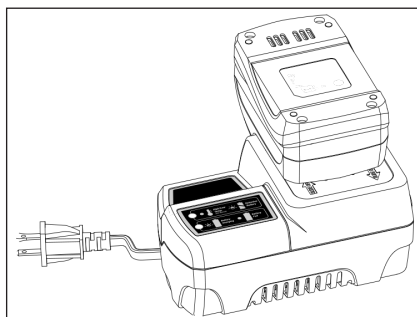
The battery is supplied partially charged. To ensure full capacity of the battery, completely charge the battery in the battery charger before

A fully discharged battery pack will charge in 50 minutes for DB1850 in a surrounding temperature between 32° F (0° C) and 104° F (40° C).

1. Charge the Lithium-Ion battery pack with the correct charger.
2. Connect the charger to a power supply.
3. Align the raised ribs of the battery pack with the slot in the charger.
4. Slide the battery pack onto the charger.
5. The charger will communicate with the battery pack to evaluate the condition of the battery pack.

6. The POWER BAR LED lights will cycle from right to left during charging. This is part of the normal charging operation.
7. After charging is complete, the green LED on the charger will come on and the POWER BAR LED lights will go displayed when the POWER BAR button is pressed while the battery pack is on the charger.
8. The battery pack will fully charge if left on the charger, but it will not overcharge.

**NOTE:** For your convenience, the charger can operate with most generators and inverters rated at 300 watts or higher.



## OPERATION

The tool may be cleaned most effectively with compressed dry air. Always wear safety goggles when cleaning tools with compressed air.

Avoid using solvents when cleaning plastic parts. Most plastics are susceptible to damage from various types of commercial solvents and may be damaged by their use. Use clean clothes to remove dirt, dust, oil, grease, etc.

### BEFORE EACH USE

1. Inspect the Cordless Tool, the on/off switch and the accessories for damage.
2. Check for damaged, missing, or worn parts.
3. Check for loose screws, misalignment or binding of moving parts, or any other condition that may affect the operation.
4. If abnormal vibration or noise occurs, turn the tool off immediately and have the problem corrected before further use.
5. Detach the battery from the Cordless Tool before cleaning or performing any maintenance. Using compressed air may be the most effective cleaning method. Always wear safety goggles when cleaning tools using compressed air.

### LUBRICATION

All of the bearings in this tool are lubricated with a sufficient amount of high grade lubricant for the life of the unit under normal conditions. Therefore, no further lubrication is required.

# CARE AND MAINTENANCE

## DETERGENTS

Use detergents designed for power cleaners.

Hardware stores or home centers also have power cleaner detergents for different cleaning projects. The cleaning solution should be the consistency of water in order to prevent clogging your detergent bottle and nozzle, this system applies detergent under low pressure. The cleaning power of the detergents is enhanced when applied with low pressure and enough time is given to break down dirt and grime. The combination of low pressure and chemical action is very effective and can be better than scrubbing if applied properly. Always spray detergent on a dry surface. Do not pre-soak area. Wetting the surface first dilutes the detergent and reduces its cleaning ability. Do not allow detergent to dry on surface. On vertical surfaces being cleaned, apply detergent to lower surfaces and work your way up to prevent detergent from causing streaks in the dirt and grime. Rinse detergent by pressure washing from bottom up for same reason.

If a stain is particularly tough, it may be necessary to reapply the detergent and use a bristled brush to scrub the stain. Subsequent power washing after brushing should successfully complete your cleaning job.

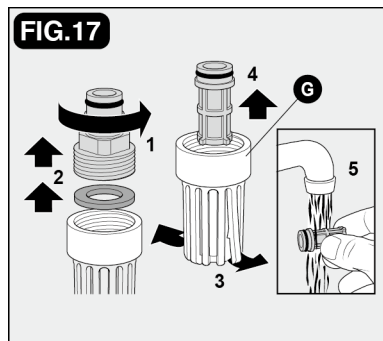
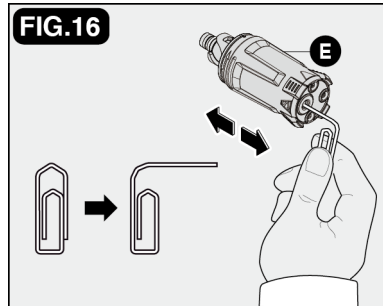
## CLEANING NOZZLES

A clogged or partially clogged nozzle can cause significant reduction of water pressure coming out of the nozzle and/or cause the unit to pulsate while spraying. Turn off the unit.

Turn off the water supply to the unit. Relieve any pressure trapped in the hose by squeezing the trigger 2 - 3 times, then lock the gun by pressing the button to lock position.

Using the nozzle tip cleaner provided (or an unfolded paper clip), insert the wire into the nozzle hole and move back and forth until debris is dislodged.

Back flush water through the nozzles using garden hose and highest pressure available (either standard water nozzle or use your thumb over the nozzle to create water pressure for back flush).



# CARE AND MAINTENANCE

## STORAGE

When your cleaning session has been completed. Turn off the water supply. Pull the trigger on the spray gun 2-3 seconds to drain out the excess water and to release any remaining water pressure. Do not allow the power cleaner to run with no water flowing through it.

Remove lance from the gun. Store all in the package.

Make sure to discard any remaining detergent from the tank. Residual chemical will stick to the container which could become contaminated, and can cause the detergent injector to clog and not function properly.

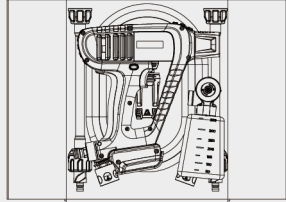
Flush the tank and nozzle head with clear water to prevent clogging.

Remove the battery pack.

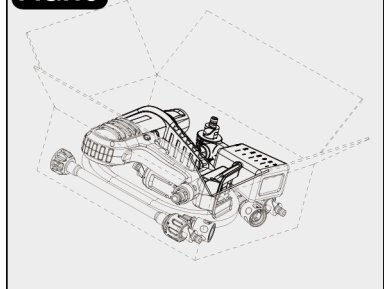
**DO NOT store the power cleaner where it is exposed to freezing temperatures.**

Store the power cleaner indoors to prevent the water in the unit from expanding under freezing conditions. When the water freezes and expands, your power cleaner will be damaged and become inoperable.

**FIG.18**



**FIG.19**





## ACCESSORIES

NO

## CARE AND MAINTENANCE

PROBLEM	CORRECTIVE ACTION
Power cleaner will not turn on	Check the battery volume by pushing the button beside the power indicator light. Check the safety lock above your thumb to make sure is pushed in.
No water comes out nozzle	Make sure when you pull the power trigger, your hand is squeezing the water trigger at same time. A full self-priming process from empty hose will take 30 seconds under max mode. If the water inlet hose is connected with tap water it'll shorten the time.
The self-priming is not working well and the tool does not sound correct	Make sure the Garden Hose Adaptor is tightly connected with the screen inside. Push the connectors on both ends of the hose to the garden hose adaptor and garden hose filter to make sure they are connected tightly. The garden hose filter has to be below the water level. Check the suction height from water source. Remove hose kinks. Clean the water filter.
Can not get 2X power mode shift by double clicking the power trigger	Make sure the double click of the power trigger in 0.8 seconds.

## ENVIRONMENT PROTECTION



1. Tool, accessories and packaging should be sorted for environment-friendly recycling.
2. Power tools and accessories at the end of their service life still contain large amounts of valuable raw materials and plastics which can likewise be fed back into a recycling process.
3. Some dust created by working contains harmful chemicals must be collected by special garbage re-cycle site.
4. On Waste Electric and Electronic Equipment and Batteries and Accumulators and Waste Batteries and Accumulators and their implementation in accordance with national laws, electric equipment and batteries and battery pack(s) that have reached the end of their life must be collected separately and returned to an environmentally compatible recycling facility.

### SERVICE

1. In case of warranty, repair or the purchase of spare parts, always contact an authorized service center. Attach the service card and the invoice.
2. The warranty does not cover normal wear, overloading or abnormal use of the product.



## EC DECLARATION OF CONFORMITY

**Brand Name: Mighty Seven**

**Serial Number: Please refer to the tool**

**Pressure Washer Gun**

**Item No.: DPW-101**

**to which this declaration applies, complies with these normative documents:**

- **Machinert Directive:** 2006/42/EC
- **EMC:** 2014/30/EU
- **CE-LVD:** 2014/35/EU

**and conforms to the following EN standard,**

- **EN 60335-1:2012+AC:2014+A11:2014+A13:2017+A1:2019+A14:2019+A2:2019+A15:2021**
- **EN 60335-2-54:2008+A11:2012+A1:2015+A12:2021+A2:2021**
- **EN 62233:2008**

**Declared in: Taichung, Taiwan**

**Date: 2023/05/15**

Jay Lin

Declared by: QA Manager

**Manufacturer:**

**Mighty Seven International Co., Ltd.**

No. 70-25, Qingguang RD., Wujih Dist.,

Taichung City, 41466 Taiwan (R.O.C.)

<http://www.mighty-seven.com>



Authorized contact, to compile the technical files :

Established with the EU

**King Tony Europe**

3 Rue des imprimeurs ZI République Nord 1.

86000 POITIERS FRANCE

TEL: (+33)5-49-30-30-90

E-MAIL: [christian.aubineau@kingtony.eu](mailto:christian.aubineau@kingtony.eu)

Christian Aubineau

General Manager



## EC DECLARATION OF CONFORMITY

**Brand Name: Mighty Seven**

**Serial Number: Please refer to the tool**

**Pressure Washer Gun**

**Item No.: DPW-101**

**to which this declaration applies, complies with these normative documents:**

- **Machinert Directive: 2006/42/EC**
- **EMC: 2014/30/EU**

**and conforms to the following EN standard,**

- **EN ISO 12100:2010**
- **EN 62841-1:2015/AC:2015**
- **EN 55014-1:2021**                      • **EN 55014-2:2021**

**Battery Charger**

**Item No.: DC-18A (Charger), Only with Li-Ion Battery Pack (DB-1850P)**

**to which this declaration applies, complies with these normative documents:**

- **LVD: 2014 / 35 / EU**                      • **EMC: 2014 / 30 / EU**
- **and conforms to the following EN standard,**
- **EN 60335-1:2012+A11:2014+A13:2017+A1:2019+A14:2019+A2:2019+A15:2021**
- **EN IEC 60335-2-29:2021+A1:2021**
- **EN 62233:2008**

**Declared in: Taichung, Taiwan**

**Date: 2023/05/15**



  
\_\_\_\_\_

Jay Lin  
Declared by: QA Manager

**Manufacturer:**  
**Mighty Seven International Co., Ltd.**  
No. 70-25, Qingguang RD., Wujih Dist.,  
Taichung City, 41466 Taiwan (R.O.C.)  
<http://www.mighty-seven.com>

Authorized contact, to compile the technical files :  
Established with the EU

**King Tony Europe**  
3 Rue des imprimeurs ZI République Nord 1.  
86000 POITIERS FRANCE  
TEL: (+33)5-49-30-30-90  
E-MAIL: christian.aubineau@kingtony.eu

 Christian Aubineau  
General Manager



# Declaration of Conformity

RoHS Directive (2011/65/EU)

REACH Regulation (1907/2006)

Brand Name:



Product Description: Pressure Washer Gun

Item No.: DPW-101

The above designated product(s) made by Mighty- Seven International Co.,Ltd is/are in compliance with the prevailing requirements of the REACH Regulation (1907/2006), Restriction of Hazardous Substances (RoHS) Directive 2011/65/EU and all subsequent amendments including (EU) 2015/863.

Name of hazardous substance	Limited of RoHS ppm %
Pb	<0.10%
Cd	<0.010%
Hg	<0.10%
Cr6+	<0.10%
PBB	<0.10%
PBDE	<0.10%
Phthalate Bis(2-ethylhexy1)	<0.10%
Butyl benzylphthalate (BBP)	<0.10%
Dibutylphthalate (DBP)	<0.10%
Diisobutyl phthalate (DIBP)	<0.10%

Declared in: Taichung, Taiwan

Date: 2023/05/15

Signature

QA Manager **Jay Lin**

**Manufacturer:**

**Mighty Seven International Co., Ltd.**

No. 70-25, Qingguang RD., Wujih Dist.,

Taichung City, 41466 Taiwan.

<http://www.mighty-seven.com>

Authorized contact, to compile the technical files :

**King Tony Europe**

3 Rue des imprimeurs ZI République Nord 1.

86000 POITIERS FRANCE

TEL: (+33)5-49-30-30-90

E-MAIL: [christian.aubineau@kingtony.eu](mailto:christian.aubineau@kingtony.eu)



## UK DECLARATION OF CONFORMITY

# UK CA

Brand Name : Mighty Seven

Serial Number : Please refer to the tool

Item No. : DPW-101 Pressure Washer Gun

to which this declaration applies, complies with these normative documents:

- Machinery Directive: Supply of Machinery (Safety) Regulations 2008
- EMC: Electromagnetic Compatibility Regulations 2016

and conforms to the following BS EN standards,

- BS EN 62841-1:2015/AC:2015
- BS EN 55014-1:2021
- BS EN 55014-2:2021

Battery Charger

Item No. : DC18A

to which this declaration applies, complies with these normative documents:

- LVD: Electrical Equipment (Safety) Regulations 2016
- EMC: Electromagnetic Compatibility Regulations 2016

and conforms to the following BS EN standards,

- BS EN 60335-1:2012+A15:2021
- BS EN 60335-2-29:2021+A1:2021
- BS EN 60335-2-54:2008+A2:2021
- BS EN 62233:2008

Declared in: Taichung, Taiwan Date:  
2023/05/15

Manufacturer :

**Mighty Seven International Co., Ltd.**  
No.70-25, Qingguang RD., Wujih Dist.,  
Taichung City, 41466 Taiwan  
<http://www.mighty-seven.com>

**Signature**

Jay Lin

Declared by : QA Manager

*Authorized contact to compile the technical file:*

*Established with the EU*

*King Tony Europe*

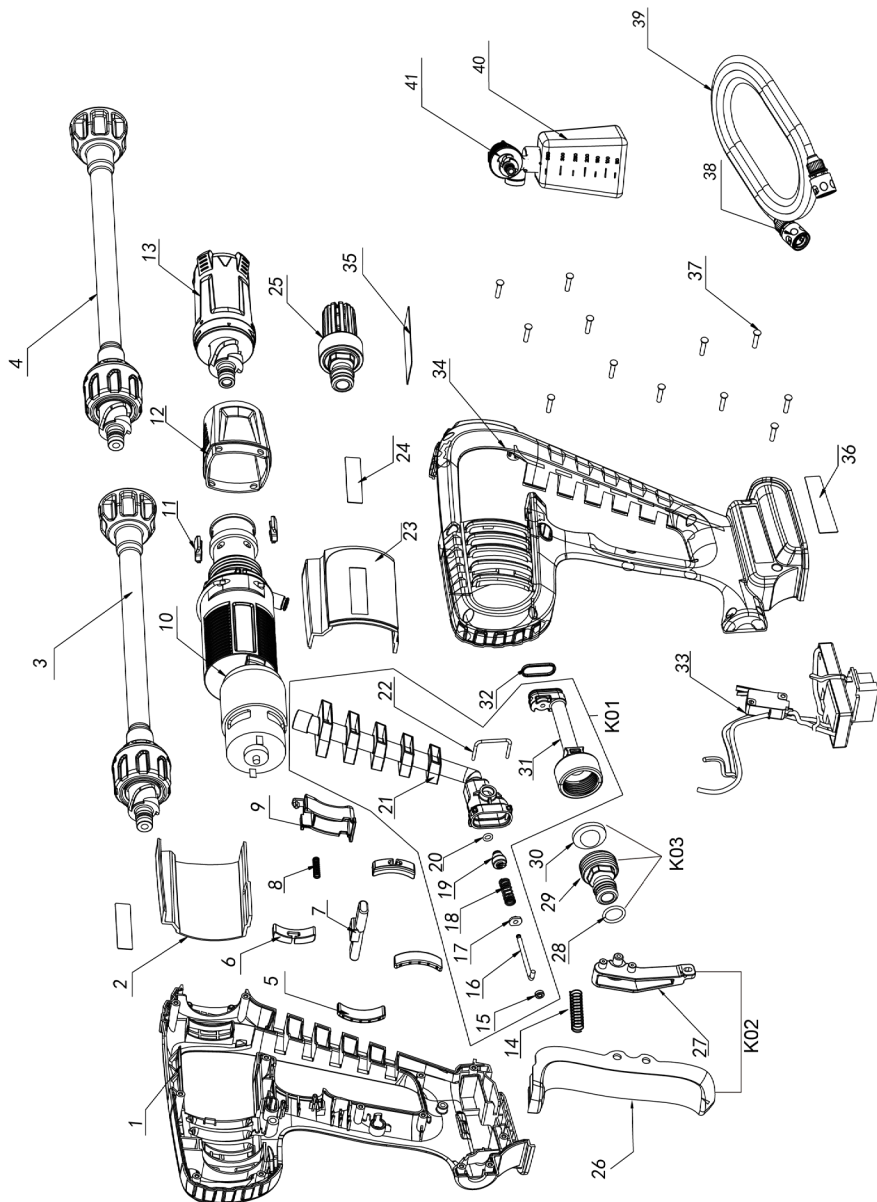
3 Rue des imprimeurs ZI République Nord 1.  
86000 POITIERS FRANCE  
TEL: (+33)5-49-30-30-90  
E-MAIL: christian.aubineau@kingtony.eu

General Manager

Christian Aubineau



**Cordless Pressure Washer Gun**  
Item No : DPW-101



# Part List **DPW-101**

NO.	INDEX NO.	DESCRIPTION	D'TY
1	DPW-101T01	Right & Left housing ( 01,34)	1 SET
2	DPW-101P02	Decorative-left	1
3	DPW-101P03	Lance A	1
4	DPW-101P04	Lance B	1
5	DPW-101T05	Rubber pad for motor ( 2PCS )	1 SET
6	DPW-101T06	Rubber pad for pump head ( 2PCS )	1 SET
7	DPW-101P07	Trigger lock	1
8	DPW-101P08	Spring-small trigger	1
9	DPW-101P09	Trigger	1
10	DPW-101P10	Motor Pump Kit	1
11	DPW-101T11	Plug ( 2PCS )	1 SET
12	DPW-101P12	Decorative-front	1
13	DPW-101P13	4 in 1 nozzle	1
14	DPW-101P14	Trigger spring	1
15	DPW-101P15	O-ring Ø2.8*1.9	1
16	DPW-101P16	Gun valve-pin	1
17	DPW-101P17	core washer	1
18	DPW-101P18	Gun valve spring	1
19	DPW-101P19	Gun valve core	1
20	DPW-101P20	O-ring Ø3*1.5	1
21	DPW-101P21	Gun valve body	1
22	DPW-101P22	U-pin for gun valve	1
23	DPW-101P23	Decorative-right	1
24	DPW-101T24	Logo laber ( 2PCS )	1 SET
25	DPW-101P25	Suction connector kit	1
26	DPW-101P26	Big trigger	1
27	DPW-101P27	Trigger bracket	1
28	DPW-101P28	O-ring 11*2.5	1


NO.	INDEX NO.	DESCRIPTION	D'TY
29	DPW-101P29	Inlet connector	1
30	DPW-101P30	Water connector filter	1
31	DPW-101P31	body plug	1
32	DPW-101P32	O-ring Ø16*1.7	1
33	DPW-101P33	PCB kit	1
34	DPW-101P34	Left housing	1
35	DPW-101P35	Shift label	1
36	DPW-101P36	Name plate	1
37	DPW-101T37	Screw(ST3*14) ( 13PCS )	1 SET
38	DPW-101T38	Quick connector for slim hos ( 2PCS )	1 SET
39	DPW-101P39	Slim water inlethose kit (12mm*4M )	1
40	DPW-101P40	DETERGENT BOTTLE	1
41	DPW-101P41	foam nozzle	1
K01	DPW-101K01	Gun valve body Assembly ( 15~22,31 )	1 SET
K02	DPW-101K02	Big trigger Assembly ( 26,27 )	1 SET
K03	DPW-101K03	Inlet connector Assembly ( 28,29,30 )	1 SET

# Warranty Card

## Manufacturer's limited warranty

*Mighty Seven International Co., LTD.* offers limited warranty to the products manufactured by *Mighty Seven* and sold by its worldwide authorized dealers. The limited warranty only applies to products that are defective in material and workmanship and does not apply to products which have been abused, misused, service representatives. If there is a defective product of *Mighty Seven*, please send it prepaid to the dealer where it was purchased from along with address and contact information. Repairs or replacements are warranted as described above; otherwise, the service of repairs or replacements will be charged.

## Please Keep This card For Warranty

<b>Date of Purchase</b>	<b>Model No.</b>
<b>warranty Expiration Date:</b>	<b>serial No</b>
<b>Distributor Stamp</b>	
	

Date of Purchase :	Model No :
warranty Expiration Date :	serial No :
Name :	
Company Name :	
Address :	
Tel :	Fax :
E-mail :	
<b>Type of Business:</b>	
<input type="checkbox"/> Agriculture	<input type="checkbox"/> Paint & Body Repair
<input type="checkbox"/> General Auto Repair	<input type="checkbox"/> Public Work/Gov.Utilities
<input type="checkbox"/> Tire	<input type="checkbox"/> Factory
<input type="checkbox"/> Truck Maintenance/Repair	<input type="checkbox"/> Home Use
<input type="checkbox"/> Car Maker	<input type="checkbox"/> Other



# RÈGLES DE SÉCURITÉ GÉNÉRALES

## AVERTISSEMENT DE SECURITE GENERALES POUR ELECTROPORTATIF

Ce nettoyeur haute pression est destiné à nettoyer les bateaux, les voitures, les terrasses, les allées, les grilles, les revêtements de maison, les motos, les patios et les meubles d'extérieur. Cet appareil n'est pas destiné à être utilisé par des personnes (y compris des enfants) dont les capacités physiques, sensorielles ou mentales sont réduites, ou qui manquent d'expérience et de connaissances, à moins qu'elles n'aient pu bénéficier d'une surveillance ou d'instructions concernant l'utilisation de l'appareil de la part d'une personne responsable de leur sécurité.

1. Les enfants doivent être surveillés afin de s'assurer qu'ils ne jouent pas avec l'appareil.
2. Le nettoyage et l'entretien par l'utilisateur ne doivent pas être effectués par des enfants sans surveillance.
3. Le liquide ne doit pas être dirigé vers des équipements contenant des composants électriques (tels que l'intérieur des fours).
4. Utilisez les nouveaux tuyaux fournis avec l'appareil et ne pas utiliser d'anciens tuyaux.
5. L'appareil ne doit pas être laissé sans surveillance lorsqu'il est connecté à la batterie.
- 6 L'appareil ne doit pas être utilisé s'il est tombé, ou si il présente des signes visibles de dommages ou si il fuit.
7. Tenir l'appareil hors de portée des enfants lorsqu'il est sous tension ou en cours de refroidissement.

## AVERTISSEMENTS DE SÉCURITÉ GENERAL POUR LES OUTILS ELECTROPORTATIFS



Le non-respect des consignes de sécurité énoncées ci-après peut conduire à un choc électrique, à un incendie et/ou à des blessures corporelles graves.

### CONSERVEZ CES INSTRUCTIONS

Le terme "outil électrique" dans tous les avertissements ci-après fait référence à votre outil électrique branché sur secteur (filaire) ou votre outil électrique sur batterie (sans fil).

## SÉCURITÉ DE LA ZONE DE TRAVAIL

1. Gardez votre zone de travail propre et bien éclairée. Les zones en désordre ou sombres présentent des risques d'accidents.
2. N'utilisez jamais d'outils électriques dans un environnement explosif, par exemple en présence de liquides inflammables, de gaz ou de poussières. Les outils électriques créent des étincelles qui peuvent enflammer des poussières ou de la fumée.
3. Ne permettez jamais aux enfants ou toutes autres personnes de s'approcher de l'outil électrique lors de son utilisation. Toute distraction peut provoquer la perte de contrôle de l'appareil.

## SÉCURITÉ ÉLECTRIQUE

1. Les fiches des outils électriques doivent correspondre à la prise. Ne modifiez jamais la fiche d'aucune façon. N'utilisez aucune fiche d'adaptateur avec des outils électriques mis à la terre. Des fiches non modifiées et des prises correspondantes réduiront le risque de choc électrique.
2. Évitez le contact du corps avec des surfaces reliées à la terre ou à la masse, notamment tuyaux, radiateurs, fours ou réfrigérateurs. Le risque de décharge électrique est accru lorsque votre corps est relié à la terre.
3. Ne pas exposer les outils électriques à la pluie ou l'humidité. La pénétration d'eau dans un appareil électrique augmente le risque d'une décharge électrique.
4. Ne malmenez pas le câble. Ne portez pas l'appareil par le câble. Débranchez le câble de la prise uniquement en tirant sur la fiche. Protégez le câble de l'huile, de la chaleur, des arêtes vives et des pièces mobiles. Un câble endommagé ou emmêlé augmente le risque d'une décharge électrique.
5. Pour les travaux d'extérieur, utilisez uniquement des câbles prolongateurs agréés à cet effet. L'utilisation d'un câble prolongateur compatible pour l'extérieur réduit le risque d'un choc électrique.
6. S'il est inévitable d'utiliser un outil électrique dans un endroit humide, prévoyez une alimentation protégée par un disjoncteur de fuite à la terre (RCD). La mise en place d'un RCD réduit le risque de choc électrique.

# RÈGLES GÉNÉRALES DE SÉCURITÉ

## SÉCURITÉ DES PERSONNES

1. Soyez vigilant. Prêtez attention à ce que vous faites et travaillez calmement et de façon réfléchie avec un outil électrique. N'utilisez pas l'appareil si vous êtes fatigué, si vous n'êtes pas concentré ou si vos capacités de réaction sont altérées par l'ingestion de drogues, d'alcool ou de médicaments. Un moment d'inattention lors de l'utilisation d'un outil électrique peut entraîner des blessures graves.
2. Portez des vêtements, des équipements de protection individuels et toujours des lunettes de sécurité. Le port de vêtements et d'équipements de protection individuels tels qu'un masque respiratoire, des chaussures antidérapantes, un casque ou des protections acoustiques, réduit le risque de blessures.
3. Évitez tout allumage intempestif. Assurez-vous que l'outil électrique est en position «OFF» (= arrêt) avant de mettre la fiche dans la prise et/ou avant de brancher la batterie. Le fait de porter l'appareil avec le doigt sur l'interrupteur ou de brancher l'appareil alors qu'il est allumé, peut causer des accidents.
4. Retirer tout outil ou clé de réglage avant de mettre l'outil électrique sous tension. Un outil ou une clé attachée à une partie rotative de l'outil électrique peut entraîner des blessures.
5. Évitez toute position corporelle anormale. Trouvez une position sûre et conservez votre équilibre à tout moment. Vous contrôlerez ainsi mieux l'appareil électrique en cas de situation inattendue.
6. Portez des vêtements adaptés. Ne portez pas de vêtements larges ni de bijoux. Éloignez vos cheveux, vêtements et gants des parties mobiles. Les vêtements amples, les bijoux et les cheveux longs peuvent se prendre dans les pièces mobiles.
7. Si des dispositifs d'aspiration et de collecte des poussières peuvent être montés, assurez-vous qu'ils sont bien fixés et correctement utilisés. L'utilisation de ces dispositifs réduit les risques dus à la poussière.
8. Ne laissez pas vos habitudes d'utilisation vous faire ignorer les principes de sécurité des outils. Une action négligente peut causer des blessures graves en une fraction de seconde.

## UTILISATION ET ENTRETIEN DE L'OUTIL ÉLECTRIQUE

1. Ne surchargez pas l'appareil. Utilisez l'outil électrique adapté à votre travail. Vous travaillerez mieux et de manière plus sûre dans le champ de travail indiqué en utilisant l'outil adapté.
2. N'utilisez pas d'outils électriques dont l'interrupteur est défectueux. Un outil électrique dont l'interrupteur ne fonctionne plus est dangereux et doit être réparé.
3. Retirez la fiche de la prise et/ou le bloc-batterie de l'outil avant de procéder aux réglages, avant de changer les accessoires ou avant de ranger l'appareil. Cette mesure de prudence empêche l'allumage intempestif de l'appareil.
4. Conservez les outils électriques inutilisés hors de portée des enfants. Empêchez l'utilisation de l'appareil par les personnes qui n'y sont pas familiarisées ou qui n'ont pas lu les présentes consignes. Les outils électriques sont dangereux s'ils sont utilisés par des personnes inexpérimentées.
5. Entretenez soigneusement l'outil électrique. Vérifiez que les pièces détachées soient bien alignées et ne collent pas et qu'aucune pièce n'est cassée ou endommagée au point d'influencer le fonctionnement de l'appareil. Faites réparer les pièces endommagées avant l'utilisation de l'appareil. De nombreux accidents sont dus à un mauvais entretien des outils électriques.
6. Aiguiser vos outils de découpe et nettoyez-les. Les outils de découpe soigneusement entretenus, avec des tranchants bien aiguisés s'enrayent moins et sont plus faciles à guider.
7. Suivre toutes les instructions de chargement. Ne pas charger la batterie ou l'outil en dehors de la température spécifiée dans les instructions. Une charge incorrecte ou à des températures hors de la température spécifiée peut endommager la batterie et augmenter le risque d'incendie.
8. Garder les poignées et les surfaces de préhension sèches, propres et exemptes d'huile et de graisse. Les poignées et les surfaces de préhension glissantes ne permettent pas à l'utilisateur de manipuler et de contrôler l'outil en toute sécurité dans des situations imprévues.

# RÈGLES GÉNÉRALES DE SÉCURITÉ

## UTILISATION ET ENTRETIEN DE L'OUTIL À BATTERIE

1. Ne chargez la batterie rechargeable que dans des chargeurs conseillés par le fabricant. Le chargeur prévu pour un certain type de batterie présente un risque d'incendie lorsqu'il est utilisé avec un autre modèle de batterie.
2. N'utilisez dans des outils électriques que des batteries prévues à cet effet. L'utilisation d'autres blocs-batterie peut provoquer des accidents et présente un risque d'incendie.
3. Lorsque la batterie n'est pas utilisée, éloignez-la des objets métalliques, tels que des trombones, des pièces de monnaie, des clés, des clous, des vis ou d'autres petits objets métalliques qui peuvent établir une connexion d'une borne à une autre. Un court-circuit entre les bornes de la batterie peut provoquer des brûlures ou un incendie.
4. Dans des conditions abusives, du liquide peut être éjecté de la batterie; éviter tout contact. En cas de contact accidentel, rincer à l'eau. Si du liquide entre en contact avec les yeux, consultez également un médecin. Le liquide éjecté de la batterie peut provoquer une irritation ou des brûlures.
5. N'utilisez pas une batterie ou un outil endommagé ou modifié. Les batteries endommagées ou modifiées peuvent présenter un comportement imprévisible entraînant un incendie, une explosion ou un risque de blessure.
6. N'exposez pas une batterie ou un outil au feu ou à une température excessive. L'exposition au feu ou à une température supérieure à 130°C peut provoquer une explosion (température „265 °F“).
7. Suivez toutes les instructions de charge et ne chargez pas la batterie ou l'outil en dehors de la plage de température spécifiée dans les instructions. Une charge incorrecte ou à des températures en dehors de la plage spécifiée peut endommager la batterie et augmenter le risque d'incendie.

## SERVICE

1. Ne faites réparer l'appareil que par du personnel qualifié, utilisant uniquement des pièces de rechange identiques, assurant de ce fait la sécurité de l'outil.
2. Ne réparez jamais les batteries endommagées. L'entretien des batteries ne doit être effectué que par le fabricant ou des prestataires de services agréés

# INSTRUCTIONS DE SÉCURITÉ

Veillez lire et comprendre l'intégralité de ce manuel avant d'essayer d'assembler et d'utiliser le produit. Conservez ce manuel pour toute référence ultérieure.

Ce manuel contient des informations relatives à la **PROTECTION DE LA SÉCURITÉ DES PERSONNES** et à la **PRÉVENTION DES PROBLÈMES DE L'ÉQUIPEMENT**. Il est très important de lire attentivement ce manuel et de bien le comprendre avant d'utiliser le produit. Les symboles énumérés ci-dessous sont utilisés pour indiquer ces informations.

## DANGER

Danger potentiel pouvant entraîner des blessures graves ou des accidents mortels.

## AVERTISSEMENT

Danger pouvant entraîner des blessures graves ou des accidents mortels.

## MISE EN GARDE

Risque potentiel pouvant entraîner des blessures modérées ou endommager l'équipement.

Note : Le mot "Note" est utilisé pour informer le lecteur de quelque chose que l'opérateur doit savoir à propos de l'outil.

## AVERTISSEMENT

Lisez tous les avertissements et toutes les instructions de sécurité. Le non-respect des avertissements et des instructions peut entraîner un choc électrique, un incendie et/ou des blessures graves.

1. Avant d'installer ce produit, les instructions d'installation doivent être lues et comprises dans leur intégralité. Les instructions d'installation doivent être lues afin d'éviter les blessures et les dommages matériels. Conservez ces instructions d'installation dans un endroit facilement accessible afin de pouvoir vous y référer ultérieurement.
2. Ce kit contient de petites pièces qui peuvent présenter un risque d'étouffement en cas d'ingestion.
3. Avertissement - Lors de l'utilisation de ce produit, des précautions de base doivent toujours être prises, notamment les suivantes :
4. Lire toutes les instructions avant d'utiliser le produit.
5. Savoir comment arrêter le produit et purger rapidement la pression. Se familiariser avec les commandes.
6. Maintenir la zone de travail à l'écart des personnes.

7. Ne vous étendez pas trop ou ne vous tenez pas sur un support instable. Gardez toujours une bonne assise et un bon équilibre.
8. Suivez les instructions d'entretien spécifiées dans le manuel.
9. Pour éviter les blessures corporelles et/ou les dommages matériels et pour optimiser votre expérience du nettoyeur haute pression, suivez attentivement tous les conseils de sécurité, les instructions, les avertissements et les mesures de protection et familiarisez-vous avec toutes les commandes. Assurez-vous de savoir comment évacuer rapidement la pression de toutes les pièces de votre nettoyeur haute pression et comment éteindre le nettoyeur haute pression.
10. Ce nettoyeur électrique est conforme aux normes CSA et autres normes de sécurité et de consommation. Ne modifiez pas et ne reconstruisez pas les pièces de votre nettoyeur électrique.
11. N'utilisez pas votre nettoyeur électrique si vous êtes sous l'influence de l'alcool ou de drogues. Utilisez cet outil électrique avec précaution et uniquement lorsque vous êtes vigilant.
12. Faites attention à votre équilibre et à vos pieds lorsque vous utilisez votre nettoyeur électrique. Les surfaces deviennent glissantes lorsqu'elles sont mouillées et le sont encore plus lorsqu'on utilise un détergent ou un nettoyant.
13. Ne jamais utiliser le nettoyeur électrique pieds nus, avec des sandales ou des chaussures ouvertes.
14. Lorsque vous utilisez le nettoyeur électrique à proximité d'enfants, veillez à ce qu'ils soient surveillés de près par un adulte afin d'éviter toute blessure. Ne laissez jamais un enfant utiliser le nettoyeur électrique.
15. Gardez vos doigts, vos mains, vos pieds et toute autre partie de votre corps à l'écart du jet d'eau à haute pression. Le puissant jet peut provoquer la cécité, blesser ou briser la peau. Il peut briser une fenêtre si vous êtes trop près lorsque vous appuyez sur la gâchette du pistolet de pulvérisation.
16. Portez toujours une protection oculaire pour éviter de vous blesser les yeux lorsque vous utilisez le nettoyeur électrique.
17. Pour éviter les accidents ou les blessures, utilisez TOUJOURS le verrou de sécurité de la gâchette lorsque vous n'utilisez pas le nettoyeur électrique, même si vous ne l'arrêtez que brièvement.
18. Pointer le pistolet de pulvérisation dans une direction sûre au début d'une séance de nettoyage.

# INSTRUCTIONS DE SÉCURITÉ

19. Avertissement - ne jamais pulvériser directement sur une personne, un animal, un appareil électrique ou l'appareil lui-même.
20. Lors de la première utilisation du nettoyeur électrique, tenez-le à deux mains lorsque vous appuyez sur la gâchette (une main pour appuyer sur la gâchette et l'autre pour stabiliser l'ensemble) jusqu'à ce que vous vous habituiez au "recul" du nettoyeur électrique.
21. Lorsque vous appuyez sur l'interrupteur pour éteindre le nettoyeur haute pression, il se peut que de l'eau reste sous pression dans le système. Pour évacuer la pression, dirigez le nettoyeur haute pression dans une direction sûre et appuyez sur la gâchette.
22. Ne jamais pulvériser de liquides inflammables.
23. N'utilisez jamais le nettoyeur électrique dans des zones contenant des poussières, des liquides ou des vapeurs combustibles.
24. Évitez tout contact du tuyau de pression avec des objets pointus et examinez régulièrement le tuyau. Remplacez-le s'il est endommagé. En raison de la haute pression qu'il subit, il ne peut être réparé s'il est coupé ou endommagé.
25. Utilisez uniquement un détergent spécifiquement formulé pour les nettoyeurs haute pression et suivez les instructions figurant sur l'étiquette du détergent. Le savon à vaisselle ou à lessive est trop épais et obstrue la buse de votre canon à mousse.
26. Protéger les yeux, les poumons et la peau de l'exposition au détergent.
27. Avertissement - En cas de raccordement à un système d'eau potable, le système doit être protégé contre les retours d'eau.
28. N'utilisez jamais d'eau chaude avec votre nettoyeur haute pression. Elle surchaufferait et endommagerait la pompe à haute pression.
29. Ne laissez jamais le nettoyeur sans surveillance lorsqu'il est sous tension.
30. Il faut toujours ouvrir l'alimentation en eau avant de mettre le nettoyeur en marche. Faire fonctionner la pompe à sec endommagera les composants internes.
31. N'utilisez jamais une alimentation en eau pour votre nettoyeur électrique qui dépasse 150 PSI maximum (10 Bar).
32. Ne jamais débrancher le tuyau haute pression du nettoyeur haute pression lorsque le système est sous pression.
33. Ne jamais enclencher de façon permanente le mécanisme de la gâchette du nettoyeur électrique.
34. N'utilisez jamais le nettoyeur électrique si tous les composants ne sont pas correctement et solidement connectés.
35. Ne laissez jamais la pompe du nettoyeur haute pression fonctionner pendant plus d'une minute après avoir coupé l'alimentation en eau. Le moteur et la pompe risquent de surchauffer et de tomber en panne.
36. N'utilisez jamais de lances ou d'autres pièces qui ne sont pas compatibles avec ce produit spécifique.
37. Ne vaporisez jamais une prise électrique avec votre nettoyeur électrique.
38. Restez vigilant - regardez ce que vous faites.

## MISE EN GARDE

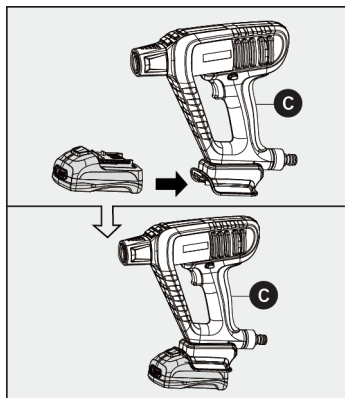
Rangez le nettoyeur électrique à l'intérieur pour éviter que l'eau contenue dans l'appareil ne se dilate en cas de gel. Lorsque l'eau gèle et se dilate, votre nettoyeur électrique est endommagé et devient inutilisable.

## AVERTISSEMENT

Ce produit peut vous exposer à des produits chimiques, notamment le plomb, le phtalate ou le bisphénol A, qui sont reconnus par l'État de Californie comme pouvant provoquer des cancers, des malformations congénitales ou d'autres troubles de la reproduction. Lavez-vous les mains après utilisation. Pour plus d'informations, consultez le site [www.P65Warnings.ca.gov](http://www.P65Warnings.ca.gov)

# INSTRUCTIONS DE SÉCURITÉ

## LA BATTERIE N'EST PAS INCLUSE DANS L'UNITÉ



- Ne manipulez pas le nettoyeur électrique, le chargeur, la fiche du chargeur ou les bornes du chargeur avec des mains mouillées.
- Éteignez toutes les commandes avant de retirer le bloc-batterie.
- Éteignez le nettoyeur électrique et retirez la batterie avant de brancher le tuyau ou d'autres accessoires.
- Empêchez tout démarrage involontaire. Assurez-vous que l'interrupteur est en position d'arrêt avant de brancher le bloc-batterie, de prendre ou de transporter le nettoyeur électrique. Porter le nettoyeur électrique avec le doigt sur l'interrupteur favorise les accidents.
- Débranchez la batterie du nettoyeur électrique avant d'effectuer des réglages, de changer d'accessoires ou de ranger le nettoyeur électrique. Ces mesures de sécurité préventives réduisent le risque de démarrage accidentel du nettoyeur électrique.
- Rechargez uniquement avec le chargeur spécifié par le fabricant. Un chargeur adapté à un type de batterie peut créer un risque d'incendie lorsqu'il est utilisé avec un autre type de batterie.
- N'utilisez le nettoyeur électrique qu'avec les blocs-batteries spécifiquement prévus à cet effet. L'utilisation de tout autre bloc-batterie peut entraîner un risque de blessure et d'incendie.
- Lorsque la batterie n'est pas utilisée, éloignez-la des autres objets métalliques, tels que trombones, pièces de monnaie, clés, clous, vis ou autres petits objets métalliques susceptibles

d'établir une connexion d'une borne à l'autre. La mise en court-circuit des bornes de la batterie peut provoquer des brûlures ou un incendie.

- Dans des conditions abusives, du liquide peut être éjecté de la batterie ; éviter tout contact. En cas de contact accidentel, rincer à l'eau. Si le liquide entre en contact avec les yeux, consulter un médecin. Le liquide éjecté de la batterie peut provoquer des irritations ou des brûlures.
- N'utilisez pas un bloc-batterie ou un nettoyeur électrique endommagé ou modifié. Les batteries endommagées ou modifiées peuvent avoir un comportement imprévisible et provoquer un incendie, une explosion ou un risque de blessure.
- N'exposez pas un bloc-batterie ou un nettoyeur électrique au feu ou à une température excessive. L'exposition au feu ou à une température supérieure à 100°C (212°F) peut provoquer une explosion.
- Suivez toutes les instructions de chargement et ne chargez pas le bloc-batterie ou le nettoyeur haute pression en dehors de la plage de température spécifiée dans les instructions. Une charge incorrecte ou à des températures en dehors de la plage spécifiée peut endommager la batterie et augmenter le risque d'incendie.

### MISE EN GARDE

POUR RÉDUIRE LE RISQUE DE BLESSURE PAR DES PIÈCES EN MOUVEMENT, DÉCONNECTEZ LA BATTERIE AVANT DE LA NETTOYER OU DE L'ENTREtenir.

### AVERTISSEMENT

POUR RÉDUIRE LE RISQUE D'INCENDIE OU D'EXPLOSION, NE PAS EXPOSER À LA PLUIE. STOCKER À L'INTÉRIEUR.

### AVERTISSEMENT

POUR RÉDUIRE LE RISQUE D'INCENDIE OU D'EXPLOSION, DÉBRANCHER LA BATTERIE AVANT DE PROCÉDER AU NETTOYAGE OU À L'ENTRETIEN.

## INSTRUCTIONS DE SÉCURITÉ

- Éviter le stockage à la lumière directe du soleil.
- Lors de la mise au rebut de piles ou de batteries secondaires, séparez les piles ou les batteries de systèmes électrochimiques différents.
- Conservez la batterie hors de portée des enfants et dans son emballage d'origine jusqu'à ce que vous soyez prêt à l'utiliser.
- Ne jamais mettre les piles dans la bouche, en cas d'ingestion, contactez votre médecin ou le centre antipoison local.
- Ne pas court-circuiter une pile ou une batterie. Ne pas ranger les piles ou les batteries au hasard dans une boîte ou un tiroir où elles pourraient se court-circuiter entre elles ou être court-circuitées par des matériaux conducteurs.
- La batterie doit être recyclée.
- Ne pas soumettre les piles ou les batteries à des chocs mécaniques.
- Gardez les piles et les batteries propres et sèches. Essuyez les bornes de la pile ou de la batterie avec un chiffon propre et sec si elles sont sales.
- Ne pas maintenir les piles et batteries secondaires en charge lorsqu'elles ne sont pas utilisées.
- Dans la mesure du possible, retirez la batterie de l'appareil lorsqu'il n'est pas utilisé.
- Confier l'entretien à un réparateur qualifié qui n'utilisera que des pièces de rechange identiques. Cela permettra de garantir la sécurité du produit.


# CONSIGNES DE SÉCURITÉ

Le but des symboles de sécurité est d'attirer votre attention sur d'éventuels dangers. Les symboles de sécurité et les explications qui les accompagnent méritent votre attention et votre compréhension. Les avertissements des symboles n'éliminent pas à eux seuls tout danger. Les instructions et avertissements qu'ils donnent ne remplacent pas les mesures appropriées de prévention des accidents.

## AVERTISSEMENT

Assurez-vous de lire et de comprendre toutes les instructions de sécurité de ce manuel, y compris tous les symboles d'alerte de sécurité tels que «DANGER», «AVERTISSEMENT» et «MISE EN GARDE» avant d'utiliser cet outil. Le non-respect de toutes les instructions ci-dessous peut entraîner un choc électrique, un incendie et / ou des blessures graves.

## SIGNIFICATION DES SYMBOLES

 **SYMBOLE D'ALERTE DE SÉCURITÉ**: indique un DANGER, un AVERTISSEMENT ou une MISE EN GARDE. Peut être utilisé conjointement avec d'autres symboles ou pictogrammes.

**DANGER** Signale une situation de danger imminent qui, si elle n'est pas évitée, entraînera la mort ou des blessures graves.



**AVERTISSEMENT** Signale une situation potentiellement dangereuse qui, si elle n'est pas évitée, pourrait entraîner la mort ou des blessures graves.



**MISE EN GARDE** Signale une situation potentiellement dangereuse qui, si elle n'est pas évitée, pourrait entraîner des blessures mineures ou modérées.






## AVERTISSEMENT

Lisez tous les avertissements de sécurité désignés par le symbole  et toutes les instructions.







# SYMBOLES DE SÉCURITÉ


Certains des symboles suivants peuvent être utilisés sur cet outil. Veuillez les regarder et apprendre leur signification. Une interprétation correcte de ces symboles vous permettra d'utiliser l'outil de manière plus efficace et plus sûre.

Situation Dangereuse	Précaution	Symbole
Utilisation du nettoyeur haute pression	Dispositifs à décharge électrostatique pouvant être dangereux pour les porteurs de stimulateurs cardiaques. Si l'humidité relative est inférieure à 20 %, veuillez utiliser un éliminateur d'électricité statique pour réduire le phénomène afin d'éviter le risque de choc électrique par électrostatique.	
Pistolet de lavage à pression	Protection oculaire	
Pistolet de lavage à pression	Lisez attentivement le manuel d'instructions avant de procéder au démarrage, à l'utilisation, à l'entretien ou à toute autre tâche sur l'outil.	



# SYMBOLES DE SÉCURITÉ

Situation Dangereuse	Précaution	Symbole
Pistolet de lavage à pression	Protection auditive	
Pistolet de lavage à pression	Les déchets de produits électriques ne doivent pas être jetés avec les ordures ménagères. Il convient de les recycler là où il existe des installations à cet effet. Renseignez-vous auprès des autorités locales ou de votre revendeur pour obtenir des conseils en matière de recyclage.	
Utilisation du nettoyeur haute pression	Portez des gants anti-vibrations et n'utilisez pas l'outil pendant une période prolongée.	
Utilisation du nettoyeur haute pression	Tuyaux reliés à la conduite d'eau principale. Dans certaines régions, il est interdit de se raccorder directement au réseau public d'eau potable afin d'éviter le retour de produits chimiques dans le réseau d'eau potable. Un raccordement direct par l'intermédiaire d'un réservoir ou d'un dispositif anti-refoulement est généralement autorisé.	
Courant continu	Type ou caractéristique du courant	
Vitesse à vide	Vitesse de rotation à vide	$n_0$
Construction Classe II	Construction à double isolation	
Par minute	Révolutions, coups, vitesse orbitale, etc., par minute	.../min or min <sup>-1</sup>

 **AVERTISSEMENT** Pour garantir la sécurité et la fiabilité, toutes les réparations doivent être effectuées par un technicien de maintenance qualifié.



# REGLES DE SECURITE SPECIFIQUES1

## AVERTISSEMENT DE SECURITE POUR CLE A CHOCS


1. Utilisez la batterie uniquement avec le chargeur mentionné ci dessous :

BATTERIE	CHARGEUR
DB-1850P	DC-18A

### AVERTISSEMENT

Utiliser uniquement la batterie Li-Ion   
Utiliser uniquement le chargeur de batterie 

- Portez toujours des lunettes de protection lorsque vous utilisez cet outil.
- Prévenir les vibrations et utiliser la clé en peu de temps. Porter des gants absorbant les vibrations et veiller à ne pas desserrer les gants pour éviter qu'ils ne s'emmêlent avec la clé.
- Assurez-vous que l'interrupteur horaire / anti-horaire est en position OFF avant d'insérer une batterie. L'insertion de la batterie dans un appareil électro-portatif allumé peut provoquer des accidents.
- Vérifier soigneusement l'usure, les fissures ou les dommages des accessoires avant de les installer.
- Les embouts, les douilles et les outils deviennent chauds pendant le fonctionnement. Portez des gants lorsque vous les touchez.
- Retirez la batterie avant de changer les accessoires. Un démarrage accidentel peut se produire car les appareils électro-portatifs avec une batterie insérée sont en état de fonctionnement permanent.

 **AVERTISSEMENT** Certaines poussières créées par le ponçage, la coupe, le meulage, perçage ou autres activités de construction peuvent contenir des produits chimiques connus pour provoquer le cancer, des malformations congénitales ou d'autres troubles de la reproduction.

Voici quelques exemples de ces produits chimiques :

- Plomb des peintures à base de plomb
- Silice cristalline provenant de briques, de ciment et d'autres produits de maçonnerie
- Arsenic et chrome du bois traité chimiquement

Votre risque lié à ces expositions varie en fonction de la fréquence à laquelle vous effectuez ce type de travail. Pour réduire votre exposition à ces produits chimiques :

- Travaillez dans un endroit bien aéré.
- Travaillez avec des équipements de sécurité approuvés, tels que des masques anti-poussière spécialement conçus pour filtrer les particules microscopiques.
- Évitez tout contact prolongé avec la poussière provenant du ponçage, du sciage, du meulage, du perçage et d'autres activités de construction. Porter des vêtements de protection et laver les zones exposées avec de l'eau et du savon. Laisser la poussière pénétrer dans la bouche ou les yeux ou se déposer sur la peau peut favoriser l'absorption de produits chimiques nocifs.

**CONSERVEZ CES INSTRUCTIONS!**

## CONSIGNES DE SÉCURITÉ POUR LE CHARGEUR

- Avant d'utiliser le chargeur de batteries, lisez toutes les instructions et avertissements dans ce présent manuel et sur le chargeur, sur la batterie et sur le produit à batterie pour éviter toute mauvaise utilisation et blessure ou dommage éventuel.

### MISE EN GARDE

Pour réduire le risque de décharge électrique ou dommage au chargeur et à la batterie, ne chargez que les batteries lithium-ion marquées

spécifiquement sur votre chargeur. Les autres types de batteries peuvent exploser, provoquant des blessures ou des dommages.

- N'utilisez pas le chargeur à l'extérieur ni dans des conditions humides. Si l'eau entre dans le chargeur, le risque de décharge électrique augmente.
- L'utilisation d'un accessoire non-recommandé ou vendu par le fabricant du chargeur peut causer un risque d'incendie,

de décharge électrique ou de blessures.

4. Ne malmenez pas le câble ni le chargeur. Ne portez jamais le chargeur par le câble. Ne débranchez jamais l'outil du secteur en tirant sur le câble. Ceci pourrait endommager le câble ou le chargeur et créer un risque de décharge électrique. Remplacez immédiatement tout câble endommagé.

5. Assurez-vous que le cordon est placé en lieu sûr pour que personne ne marche ou ne trébuche dessus, et qu'il ne soit pas sujet à être endommagé ou soumis à une tension d'une quelconque autre manière. Ceci réduira le risque de chutes accidentelles qui pourraient provoquer des blessures et endommager le câble, créant un risque de décharge.

6. Protégez le câble et le chargeur de la chaleur pour éviter d'endommager le boîtier et les pièces internes.

7. Protégez les parties plastiques de l'essence, de l'huile, des produits à base de pétrole etc. Ces matières contiennent des produits chimiques qui peuvent endommager, fragiliser ou détruire le plastique.

8. N'utilisez une rallonge qu'en cas de nécessité absolue. L'utilisation d'une rallonge inadéquate peut entraîner un risque d'incendie, de choc électrique ou d'électrocution. S'il faut utiliser une rallonge, assurez-vous que :

La fiche du cordon comporte le même nombre de broches que celles du chargeur et que ses broches sont de mêmes forme et taille. Le cordon est bien câblé et en bon état.

La taille est assez grande pour l'intensité nominale du chargeur comme spécifié ci-dessous:

La longueur du cordon (pieds) 25' 50' 100'

Taille du cordon (AWG) **16 (AWG)**

**NOTE:** AWG = American Wire Gauge

9. Ne faites pas fonctionner le chargeur avec un câble d'alimentation ou prise endommagés, en raison du risque de court-circuit et de décharge électrique. Si le chargeur est endommagé, faites-le réparer par un technicien agréé chez **m7**.

10. Ne faites pas fonctionner le chargeur s'il a reçu un choc violent, s'il est tombé, ou s'il a été autrement endommagé de quelque manière que ce soit. Apportez le chargeur à un technicien agréé chez **m7** pour un contrôle électrique pour déterminer si le chargeur est en bon état de fonctionnement.

11. Ne démontez pas le chargeur. Apportez-le à un technicien agréé chez **m7** lorsqu'un entretien ou une réparation est nécessaire. Un chargeur mal ré-assemblé peut entraîner un risque de choc électrique, d'électrocution ou d'incendie.

12. Débranchez le chargeur de la prise secteur avant de procéder à son nettoyage ou à son entretien. Cette précaution réduira le risque de décharge électrique.

13. Débranchez le chargeur de l'alimentation en dehors des périodes d'utilisation. Ceci réduira le risque de décharge électrique et de dommage au chargeur si des articles en métal tombent dans l'ouverture. Ceci évitera également des dommages en cas de surtension.

14. Risque de décharge électrique. Ne touchez pas la partie non-isolée du connecteur de sortie ni la borne non-isolée de la batterie.

15. Gardez précieusement ces instructions. Consultez-les fréquemment et utilisez-les pour informer les autres utilisateurs de cet outil. Si vous prêtez cet outil à quelqu'un d'autre, prêtez-lui également ces instructions pour éviter une mauvaise utilisation du produit et d'éventuelles blessures.

## INFORMATIONS GENERALES

Le numéro de série de Mighty Seven est composé de l'année en 2ème/3ème chiffres et du mois indiqués par le 4ème/5ème chiffre.

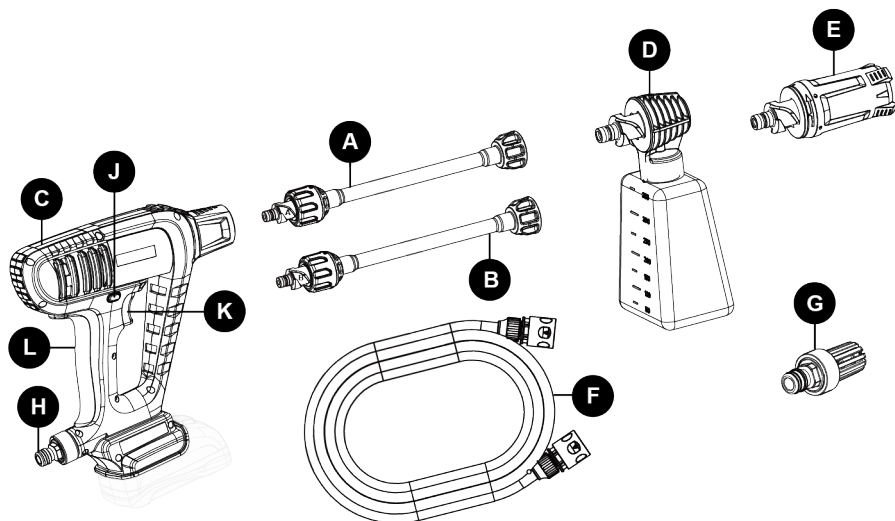
## MODE D'EMPLOI

### CONTRÔLE D'UTILISATION



Ce nettoyeur haute pression est destiné à nettoyer les bateaux, les voitures, les terrasses, les allées, les grilles, les revêtements de maison, les motos, les patios et les meubles d'extérieur.

#### 1. PIÈCES PRINCIPALES DE LA DPW-101



PARTIE	DESCRIPTION	QUANTITÉ
A	Lance A	1
B	Lance B	1
C	Nettoyeur haute pression	1
D	Canon à mousse haute pression	1
E	Buse 4 en 1	1
F	Tuyau d'aspiration d'eau de 400 cm (environ)	1
G	Filtre à eau	1
H	Adaptateur de tuyau	1
J	Bouton d'arrêt de sécurité	1
K	Gachette	1
L	Poignée	1

## CARACTERISTIQUES

<b>Modèle</b>	DPW-101
<b>Débit d'air</b>	2.8L/min
<b>Longueur du tuyau</b>	4M
<b>Pression maximum</b>	2,5 MPa / 360 PSI / 25bar
<b>Batterie Li-Ion</b>	Li-ion 5,0 Ah
<b>Tension nominale</b>	18V
<b>Complètement chargé</b>	20V
<b>Longueur de l'outil</b>	876 mm
<b>Poids (kg)</b>	1.72 kg
<b>Pression de l'eau d'entrée</b>	0,5 MPa MAX

NOTE : En raison de la poursuite du programme de développement, les spécifications de ce manuel sont données comme informations générales et ne sont pas fixes. Nous nous réservons le droit d'effectuer, à tout moment et sans préavis, des changements ou des alternances de pièces, de raccords et d'accessoires jugés nécessaires pour quelque raison que ce soit.





**DPW-101 : Testé sans charge par suspension**

Mesure du niveau de pression acoustique pondéré A :  $L_{pA} = 69$  dB,  $K_{pA}$  d'incertitude = 3 dB

Niveau de puissance acoustique pondéré A en cours de calcul :  $L_{WA} = 77$  dB,  $K_{WA}$  d'incertitude = 3 dB

Niveau de vibration ( $m/s^2$ ) :  $0.2$   $m/s^2$ , incertitude K =  $1,5$   $m/s^2$

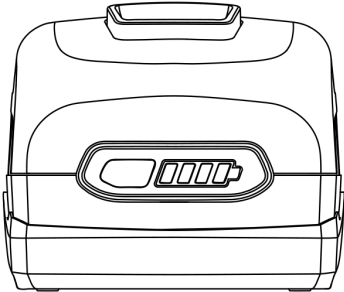
## 1. LES FONCTIONS LED DU CHARGEUR :

Voyant LED	Bloc-batterie	LED rouge	LED verte	ACTION
Problème de température (voir manuel) 	Batterie chaude/ froide	Allumé	Éteint	Le processus de charge commencera une fois la température entre 5°C et 40°C
 Batterie défectueuse	Défectueuse	Clignotant	Éteint	Le bloc-batterie ou le chargeur est défectueux
En charge 	En charge	Éteint	Clignotant	En charge
Batterie chargée 	Chargée	Éteint	Allumé	La charge est terminée

## 2. INDICATEUR DE CHARGE :

Ce bloc-batterie Lithium-Ion est équipé d'un indicateur de charge qui indique la charge restante de la batterie. Appuyez sur le bouton de l'indicateur de charge pour afficher les indicateurs LED. Ces indicateurs resteront allumés pendant environ 4 secondes.

Remarque : L'indicateur de charge peut être utilisé si le bloc-batterie est attaché à l'outil ou non.

	● ● ● ●	80-100% de Charge
	● ● ● ○	60-79% de Charge
	● ● ○ ○	40-59% de Charge
	● ○ ○ ○	20-39% de Charge
	●* ○ ○ ○	En dessous de 20% de charge
	●* ●* ●* ●*	Complètement déchargé
●* ○ ○ ○	Problème de température	

## 3. INDICATEUR DE CHARGE FAIBLE :

- Si les témoins LED sur l'indicateur de charge clignotent rapidement en permanence lorsque la gâchette sur la clé est appuyée, le bloc-batterie est déchargé et il faut le recharger.
- Contrairement à d'autres types de bloc-batterie, les blocs-batterie Lithium-Ion fournissent une puissance constante soutenue pendant toute la durée de la batterie. Cet outil ne perdra pas progressivement de puissance lorsque vous travaillez. Pour signaler que le bloc-batterie arrive à la fin de sa durée de charge, l'alimentation à l'outil s'arrêtera rapidement. Les quatre témoins LED de l'indicateur de charge clignoteront une fois la batterie complètement déchargée. Quand ceci arrive, enlevez l'outil de la pièce à travailler et rechargez le bloc-batterie au besoin.

**Remarque:** Les témoins LED de l'indicateur de charge peuvent clignoter en cas de surcharge ou de températures élevées.

## 4. QUAND RECHARGER LE BLOC-BATTERIE

Mettez le bloc-batterie sur le chargeur pour le redémarrer quand la batterie est protégée. Le bloc-batterie Lithium-Ion peut être rechargé à tout moment et sans effet de "mémoire" lors de la recharge suite à une décharge partielle. Il n'est pas nécessaire de décharger la batterie avant de recharger.

Enlevez le bloc-batterie de l'outil quand cela vous convient.

- Utilisez l'indicateur de charge pour déterminer quand il faut recharger le bloc-batterie.
- Vous pouvez "faire l'appoint" de la charge de la batterie avant de commencer un grand travail ou une longue période d'utilisation.

## 4. RECOMMANDATIONS DE STOCKAGE

- Le lieu idéal de rangement est un lieu frais et sec, à l'abri de toute lumière solaire directe et de toute température excessive, ne doit pas dépasser 40°C (104°F)
- Pour un stockage prolongé, il est recommandé d'entreposer les batteries pleinement chargés dans un lieu frais et sec, hors du chargeur pour optimiser les résultats.



Il sera nécessaire de recharger les batteries avant utilisation.

# MONTAGE

## AVERTISSEMENT

Si une pièce est cassée ou manquante, N'essayez PAS de fixer la batterie ou d'utiliser l'outil tant que la pièce cassée ou manquante n'a pas été remplacée au risque de s'exposer à des blessures graves.

## AVERTISSEMENT

N'essayez pas de modifier cet outil ou de créer des accessoires non recommandés pour une utilisation avec cet outil. Toute altération ou modification de ce type constitue une mauvaise utilisation et pourrait entraîner une situation dangereuse pouvant entraîner des blessures graves.

## AVERTISSEMENT

Votre outil ne doit jamais être connecté à la batterie lorsque vous assemblez des pièces, effectuez des réglages, installez ou retirez des lames, nettoyez ou lorsqu'il n'est pas utilisé. Débrancher l'outil empêchera tout démarrage accidentel, ce qui pourrait causer des blessures graves.

## CONTENU

Sur l'emballage

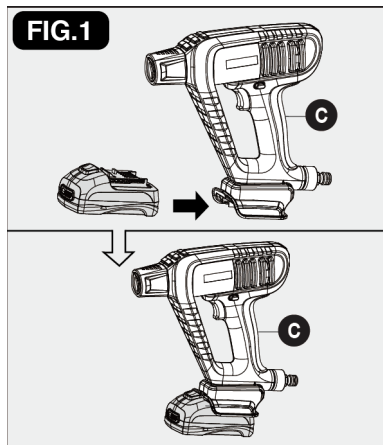
## DÉBALLAGE

1. Retirez soigneusement l'outil et tous les accessoires du carton. Assurez-vous que tous les éléments répertoriés dans la liste de colisage sont inclus.
2. Inspectez soigneusement l'outil pour vous assurer qu'aucun bris ou dommage ne s'est produit pendant le transport.
3. Ne jetez pas le matériel d'emballage avant d'avoir soigneusement inspecté et utilisé l'outil de manière satisfaisante.

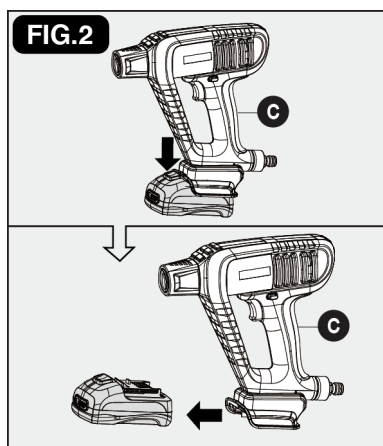
# INSTRUCTIONS D'ASSEMBLAGE

## INSTALLATION ET RETRAIT DE LA BATTERIE

Pour insérer la batterie, faites-la glisser dans le compartiment jusqu'à ce qu'elle s'enclenche (FIG.1).

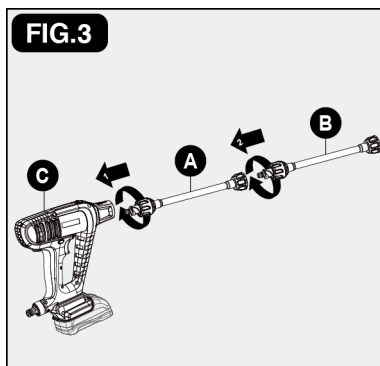


Pour retirer la batterie, appuyez sur le loquet et tirez-la hors de la baie de la batterie (FIG.2).



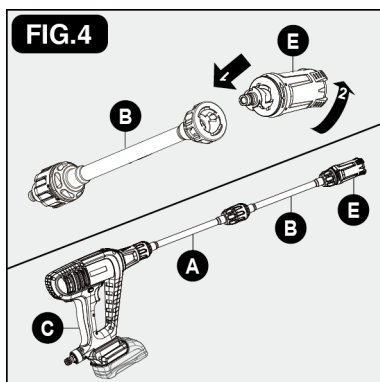
## INSTALLATION DE LA LANCE D'EXTENSION ET DE LA BUSE

Lorsque le nettoyeur électrique sans fil (C) est en position verrouillée, insérez la lance (A) dans l'extrémité du nettoyeur électrique en la tirant et en la tournant dans le sens des aiguilles d'une montre jusqu'à ce qu'elle soit complètement en place, puis insérez la lance (B) dans la lance (A). Pour retirer la lance, tournez-la dans le sens inverse des aiguilles d'une montre.



Fixer la buse 4 en 1 (E) à l'extrémité de la lance (B) en la pressant et en la tournant dans le sens des aiguilles d'une montre. Pour la retirer, tourner dans le sens inverse des aiguilles d'une montre.

**Remarque :** Il faut toujours appuyer sur le bouton de verrouillage de sécurité pour bloquer la gâchette lors du changement de lances et de buses afin d'éviter qu'elles ne s'éjectent accidentellement avec force au cours de cette opération.





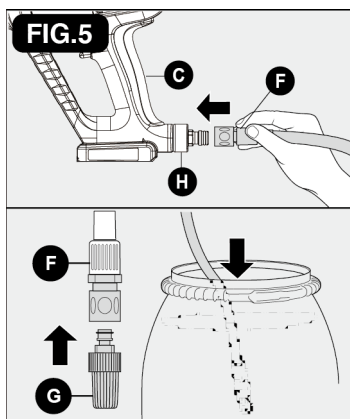
# INSTRUCTIONS D'ASSEMBLAGE

## RACCORDEMENT À L'ALIMENTATION EN EAU

Fixez le tuyau d'aspiration d'eau (F) à l'adaptateur de tuyau (H). Fixez le filtre (G) au tuyau (F).

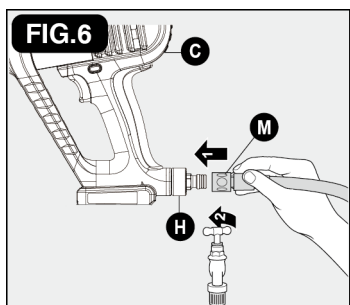
**Remarque :** Rincer le tuyau d'arrosage avant de le raccorder à l'adaptateur pour tuyau d'arrosage.

Le nettoyeur haute pression peut fonctionner avec de l'eau provenant d'un réservoir d'eau ou d'autres sources. Ne consommez que de l'eau propre. Utilisez toujours le tuyau d'aspiration d'eau (F) et nettoyez régulièrement le filtre (G) (FIG.5).



Le nettoyeur électrique peut également fonctionner avec l'eau du robinet. L'adaptateur (M) pour le tuyau d'arrosage est inclus dans la boîte (FIG.6).

Fixez toujours un filtre à eau entre l'adaptateur du tuyau et le robinet pour éviter d'endommager le nettoyeur électrique.

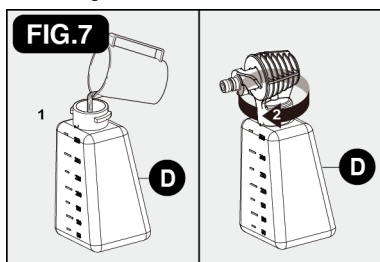


Vous avez maintenant terminé l'assemblage et vous êtes prêt à utiliser votre nettoyeur haute pression  
Lire et respecter toutes les consignes de sécurité.

## INSTALLATION D'UN CANON À MOUSSE

Le canon à mousse est livré avec un tuyau qui s'insère dans l'embout haute pression. Si vous ne voyez pas le tuyau, regardez à l'intérieur du canon à mousse et fixez-la à l'embout haute pression. Lorsque vous utilisez le canon à mousse, remplissez-le d'un détergent ou d'un nettoyant correctement formulé avec une proportion d'eau conforme aux instructions figurant sur l'emballage.

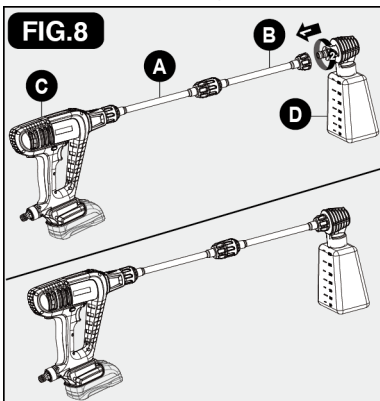
• **N'UTILISEZ PAS** de détergents épais ou gélifiés, car ils obstruent le canon à mousse et peuvent l'endommager.



Fixer le canon en mousse (D) à l'extrémité de la lance (B) en appuyant sur le canon pour le mettre en place. Il émettra un "clac" lorsqu'il sera fermement en place.

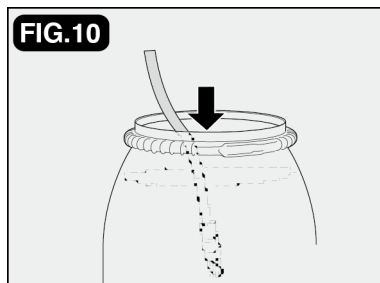
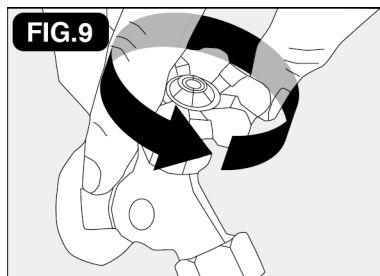
**Remarque :** verrouillez toujours les gâchettes lorsque vous changez le canon à mousse afin de vous assurer qu'il ne s'éjecte pas avec force.

• Lorsque vous utilisez le canon à mousse, remplissez-le d'un détergent ou d'un nettoyant correctement formulé avec un rapport d'eau conforme aux instructions figurant sur l'emballage.



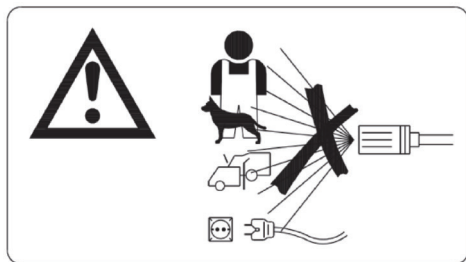
# INSTRUCTIONS D'UTILISATION

Veillez à actionner le bouton de verrouillage de sécurité (J) pour verrouiller la gâchette. Ouvrez l'alimentation en eau au robinet (FIG.9) ou remplissez le réservoir d'eau avec suffisamment d'eau pour couvrir entièrement le filtre à eau (FIG.10).

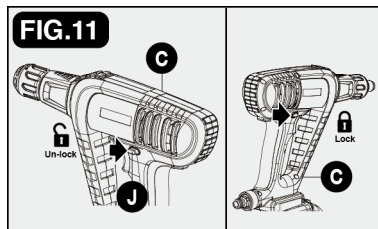


## ⚠ WARNING

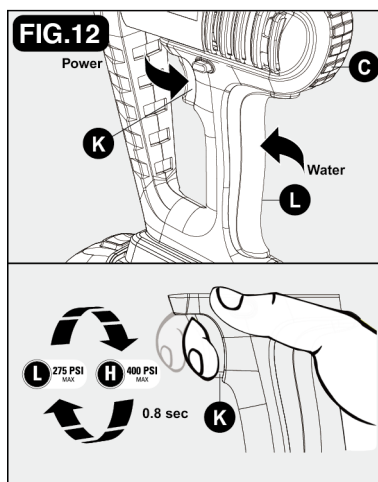
La hauteur maximale d'aspiration de l'aspirateur à partir d'un réservoir d'eau est de 1 mètre.



Appuyez sur le bouton de verrouillage de sécurité (J) pour déverrouiller la gâchette (K). Dirigez le nettoyeur électrique dans une direction sûre, appuyez sur la gâchette (K) pour démarrer le nettoyeur électrique et appuyez sur la gâchette d'eau (L) pour aspirer l'eau jusqu'à ce qu'il y ait un jet d'eau régulier. Faites fonctionner le nettoyeur électrique jusqu'à ce que l'air soit évacué du tuyau d'aspiration.

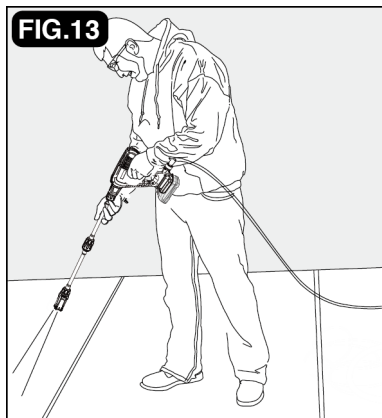


Appuyez sur les gâchettes (K) et (L) pour commencer le lavage sous pression. Relâchez-les pour arrêter le nettoyeur de puissance. Laissez l'appareil s'arrêter complètement avant de les presser à nouveau.

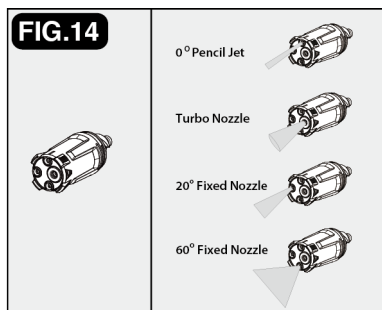


# INSTRUCTIONS D'UTILISATION

Testez toujours une petite zone pour éviter d'endommager la surface.

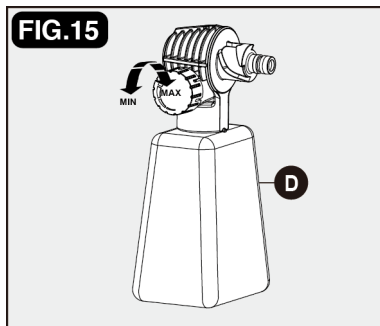


La machine est équipée d'une buse 4 en 1. Les buses sont de 0°, 20°, 60° et la buse turbo rotative. Pour passer d'une buse à l'autre, tournez dans le sens des aiguilles d'une montre. Pour retirer la buse 4 en 1 de la lance, tournez dans le sens inverse des aiguilles d'une montre et elle se détachera.



## RÉGLAGE DES NIVEAUX DE SAVON SUR LE CANON À MOUSSE

Tourner le bouton pour régler le niveau de savon comme indiqué sur le dessus du canon à mousse (D). Tourner le bouton vers la concentration de bulles la plus élevée pour obtenir plus de savon, ou dans la direction opposée pour en obtenir moins.



## COMMENT ÉVITER D'ENDOMMAGER LES SURFACES

Les surfaces nettoyées sont endommagées parce que la force d'impact de la pression de l'eau dépasse la durabilité de la surface.

Le bois nu peut être pénétré, la peinture peut être décollée, etc. Vous pouvez varier la force de votre nettoyeur électrique en la contrôlant:

1. L'angle de la surface à nettoyer.
2. La distance entre la buse et la surface à nettoyer.

N'utilisez jamais un jet d'eau étroit à haute pression sur des surfaces souples susceptibles d'être endommagées.

# UTILISATION

## PROCÉDURE DE RECHARGE

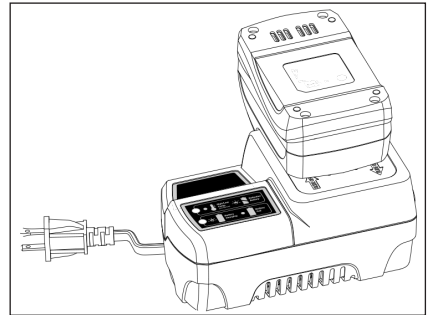
La batterie est fournie partiellement chargée. Pour garantir les meilleures performances de la batterie, chargez-la entièrement dans le chargeur avant la première utilisation. Un bloc-batterie DB-1850P entièrement déchargé prendra environ 50 minutes à recharger pour dans des températures de 0°C à 40°C.

1. Chargez le bloc-batterie Lithium-Ion avec le chargeur adéquat.
2. Connectez le chargeur à l'alimentation.
3. Alignez la nervure en saillie du bloc-batterie sur la rainure dans le chargeur.
4. Glissez le bloc-batterie dans le chargeur.
5. Le chargeur communiquera avec le bloc-batterie pour évaluer l'état de ce dernier.
6. Les indicateurs de charge LED clignoteront de droite à gauche pendant le chargement. Ceci fait partie du processus normal de charge.

7. Une fois le processus de charge terminé, l'indicateur LED vert restera allumé et les indicateurs de charge LED s'allumeront lorsque le bouton power est appuyé et la batterie est sur le chargeur.

8. Le bloc-batterie chargera entièrement s'il reste sur le chargeur, mais il ne surchargera pas.

**NOTE :** Pour votre confort, le chargeur peut fonctionner avec la plupart des générateurs et onduleurs de 300 watts ou plus.



# ENTRETIEN

L'outil peut être nettoyé le plus efficacement possible avec de l'air sec comprimé. Portez toujours des lunettes de sécurité lorsque vous nettoyez les outils à l'air comprimé.

Évitez d'utiliser des solvants lors du nettoyage des pièces en plastique. La plupart des plastiques sont susceptibles d'être endommagés par divers types de solvants commerciaux et peuvent être endommagés par leur utilisation. Utilisez des chiffons propres pour enlever la saleté, la poussière, l'huile, la graisse, etc.

## AVANT CHAQUE UTILISATION

1. Inspectez la ponceuse, l'interrupteur marche / arrêt et les accessoires pour repérer les éventuels dommages.
2. Recherchez les éventuelles pièces endommagées, manquantes ou usées. Tous les roulements de cet outil sont lubrifiés avec une quantité suffisante de lubrifiant de haute qualité

pour la durée de vie de l'unité dans des conditions normales. Par conséquent, aucune lubrification supplémentaire n'est requise.

3. Vérifiez qu'il n'y a pas de vis desserrées, de mauvais alignement ou de grippage des pièces mobiles ou toute autre condition pouvant affecter le fonctionnement.
4. En cas de vibrations ou de bruits anormaux, éteignez immédiatement l'outil et corrigez le problème avant de continuer à l'utiliser.
5. Retirez la batterie de la clé à chocs avant de nettoyer ou d'effectuer tout entretien. L'utilisation d'air comprimé peut être la méthode de nettoyage la plus efficace. Portez toujours des lunettes de sécurité lorsque vous nettoyez les outils à l'air comprimé.

## LUBRIFICATION

Tous les roulements de cet outil sont lubrifiés avec une quantité suffisante de lubrifiant de haute qualité pour la durée de vie de l'unité dans des conditions normales. Par conséquent, aucune lubrification supplémentaire n'est requise.

# ENTRETIEN ET MAINTENANCE

## DÉTERGENTS

Utiliser des détergents conçus pour les nettoyeurs haute pression.

Les quincailleries ou les centres de bricolage proposent également des détergents puissants pour différents projets de nettoyage. La solution de nettoyage doit avoir la consistance de l'eau afin d'éviter de boucher la bouteille de détergent et la buse, ce système applique le détergent à basse pression. Le pouvoir nettoyant des détergents est renforcé lorsqu'ils sont appliqués à basse pression et que l'on laisse suffisamment de temps pour décomposer la saleté et la crasse. La combinaison de la basse pression et de l'action chimique est très efficace et peut s'avérer plus efficace que le frottage si elle est appliquée correctement.

Vaporisez toujours le détergent sur une surface sèche. Ne pas prétrempier la surface. Le fait de mouiller d'abord la surface dilue le détergent et réduit sa capacité de nettoyage. Ne laissez pas le détergent sécher sur la surface. Sur les surfaces verticales à nettoyer, appliquez le détergent sur les surfaces inférieures et remontez vers le haut pour éviter que le détergent ne laisse des traces dans la saleté et la crasse.

Rincer le détergent en effectuant un lavage sous pression de bas en haut pour la même raison.

Si une tache est particulièrement tenace, il peut être nécessaire de réappliquer le détergent et d'utiliser une brosse à poils pour frotter la tache.

Un lavage à haute pression après le brossage devrait permettre d'achever le travail de nettoyage avec succès.

## LES BUSES DE NETTOYAGE

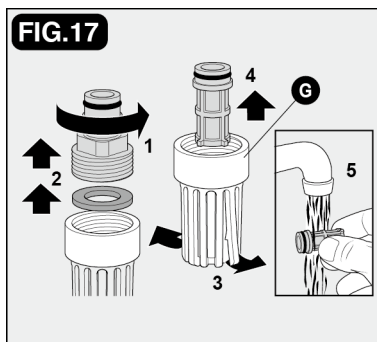
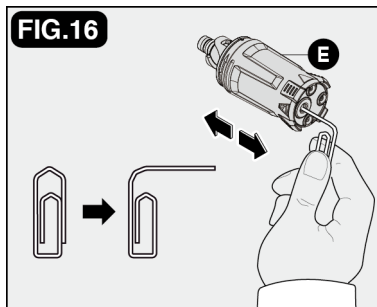
AUne buse bouchée ou partiellement bouchée peut entraîner une réduction significative de la pression de l'eau sortant de la buse et/ou provoquer une pulsation de l'appareil lors de la pulvérisation.

Éteindre l'appareil.

Coupez l'alimentation en eau de l'appareil.

Relâchez toute pression emprisonnée dans le tuyau en appuyant sur la gâchette 2 à 3 fois, puis verrouillez le pistolet en appuyant sur le bouton pour le mettre en position de verrouillage.

À l'aide du nettoyeur d'embout de buse fourni (ou d'un trombone déplié), insérez le fil dans l'orifice de la buse et effectuez un mouvement de va-et-vient jusqu'à ce que les débris soient délogés. Rincer à contre-courant les buses à l'aide d'un tuyau d'arrosage et à la pression la plus élevée possible (soit avec une buse standard, soit en utilisant votre pouce sur la buse pour créer une pression d'eau pour le rinçage à contre-courant).



# ENTRETIEN ET MAINTENANCE

## STOCKAGE

Lorsque la séance de nettoyage est terminée. Couper l'alimentation en eau. Appuyer sur la gâchette du pistolet de pulvérisation pendant 2 à 3 secondes pour évacuer l'excès d'eau et relâcher toute pression d'eau restante. Ne laissez pas le nettoyeur haute pression fonctionner sans eau.

Retirer la lance du pistolet. Ranger le tout dans l'emballage.

Veillez à jeter tout détergent restant dans le réservoir. Le produit chimique résiduel adhère au réservoir, qui peut être contaminé, et peut entraîner l'obstruction de l'injecteur de détergent et son dysfonctionnement.

Rincer le réservoir et la tête de buse à l'eau claire pour éviter qu'ils ne se bouchent.

Retirez la batterie.

**NE PAS ranger le nettoyeur haute pression dans un endroit exposé au gel.**

Rangez le nettoyeur haute pression à l'intérieur pour éviter que l'eau contenue dans l'appareil ne se dilate en cas de gel. Lorsque l'eau gèle et se dilate, votre nettoyeur haute pression est endommagé et devient inutilisable.

FIG.18

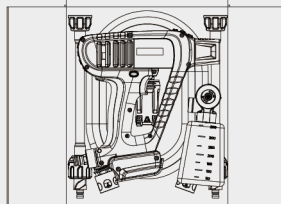
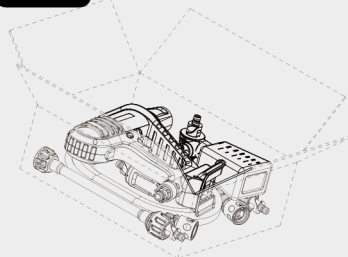


FIG.19



## ACCESSOIRES

Non

## DÉPANNAGE

PROBLEME	ACTION CORRECTIVE
Le nettoyeur haute pression ne s'allume pas	Vérifiez le volume de la batterie en appuyant sur le bouton situé à côté du voyant d'alimentation. Vérifiez que le verrou de sécurité situé au-dessus de votre pouce est bien enfoncé.
L'eau ne sort pas de la buse	Assurez-vous que lorsque vous appuyez sur la gâchette d'alimentation, votre main appuie en même temps sur la gâchette d'eau. Un processus d'auto-amorçage complet à partir d'un tuyau vide prendra 30 secondes en mode maximum. Si le tuyau d'arrivée d'eau est connecté à l'eau du robinet, le temps sera plus court.
L'auto-amorçage ne fonctionne pas bien et le son de l'outil n'est pas correct.	Assurez-vous que l'adaptateur pour tuyau d'arrosage est bien raccordé à la grille à l'intérieur. Poussez les connecteurs des deux extrémités du tuyau sur l'adaptateur de tuyau d'arrosage et le filtre de tuyau d'arrosage pour vous assurer qu'ils sont bien connectés. Le filtre du tuyau d'arrosage doit se trouver en dessous du niveau de l'eau. Vérifier la hauteur d'aspiration à partir de la source d'eau. Éliminez les plis du tuyau d'arrosage. Nettoyez le filtre à eau.
Impossible d'obtenir un double changement de mode de puissance en double-cliquant sur la gâchette de puissance.	Assurez-vous que le double clic de la gâchette d'alimentation s'effectue en 0,8 seconde.

## PROTECTION DE L'ENVIRONNEMENT



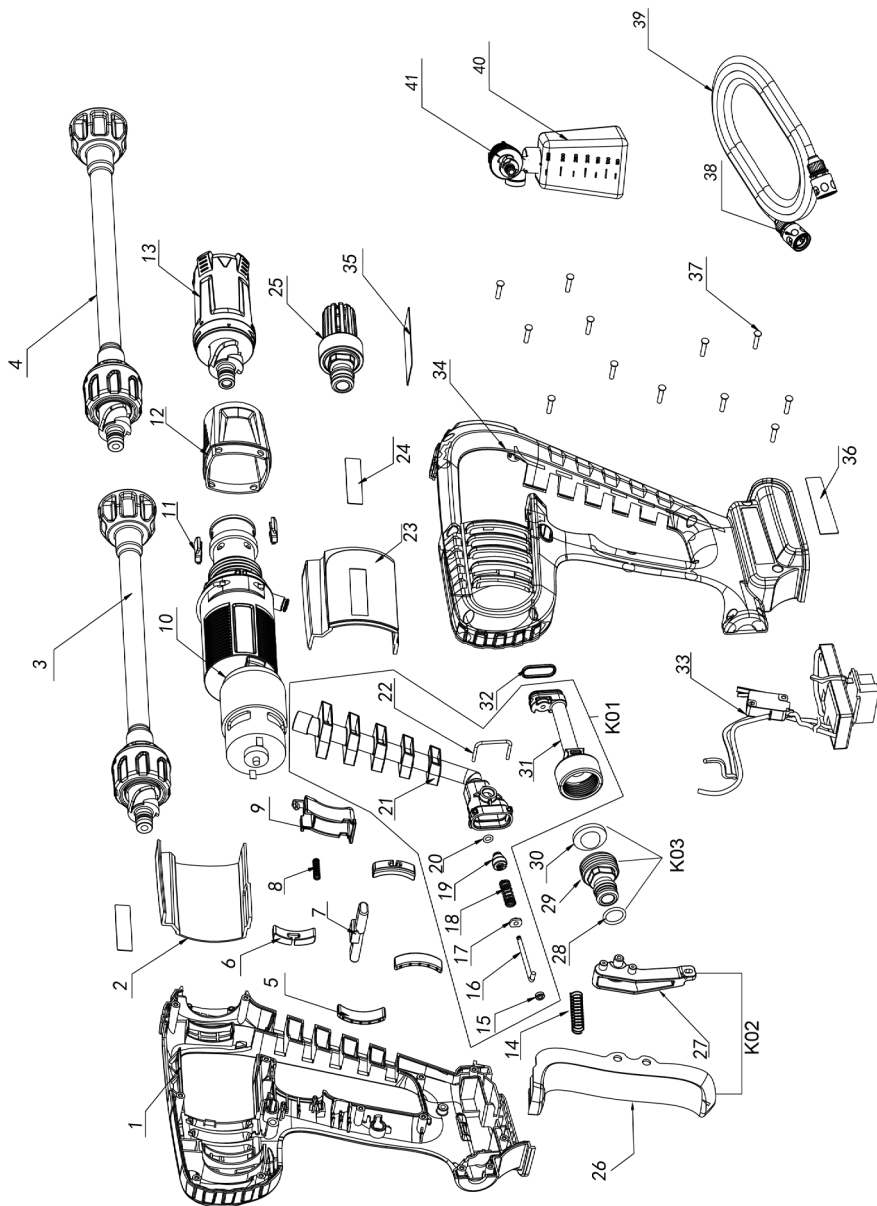
1. L'outil, les accessoires et l'emballage doivent être triés pour un recyclage respectueux de l'environnement.
2. Les outils électriques et les accessoires à la fin de leur durée de vie contiennent encore de grandes quantités de matières premières et de plastiques de valeur qui peuvent également être réinjectés dans un processus de recyclage.
3. Certaines poussières créées par le travail contiennent des produits chimiques nocifs doivent être collectées par un site spécial de recyclage des ordures.
4. En ce qui concerne les déchets d'équipements électriques et électroniques et les piles et accumulateurs et les déchets de piles et d'accumulateurs et leur mise en œuvre conformément à la législation nationale, les équipements électriques et les piles et accumulateurs en fin de vie doivent être collectés séparément et renvoyés à une installation de recyclage respectueuse de l'environnement.

### Entretien

1. Dans le cas d'une garantie, d'une réparation ou de l'achat de pièces de rechange, contactez toujours un centre de service agréé. Munissez-vous de la carte de service ainsi que la facture.
2. La garantie ne couvre ni l'usure normale, ni la surcharge ni l'utilisation inappropriée.



**Pistolet haute pression**  
**Référence article : DPW-101**





# Pièces détachées DPW-101

NO.	INDEX NO.	DESCRIPTION	D'TY
1	DPW-101T01	Right & Left housing ( 01,34)	1 SET
2	DPW-101P02	Decorative-left	1
3	DPW-101P03	Lance A	1
4	DPW-101P04	Lance B	1
5	DPW-101T05	Rubber pad for motor ( 2PCS )	1 SET
6	DPW-101T06	Rubber pad for pump head ( 2PCS )	1 SET
7	DPW-101P07	Trigger lock	1
8	DPW-101P08	Spring-small trigger	1
9	DPW-101P09	Trigger	1
10	DPW-101P10	Motor Pump Kit	1
11	DPW-101T11	Plug ( 2PCS )	1 SET
12	DPW-101P12	Decorative-front	1
13	DPW-101P13	4 in 1 nozzle	1
14	DPW-101P14	Trigger spring	1
15	DPW-101P15	O-ring Ø2.8*1.9	1
16	DPW-101P16	Gun valve-pin	1
17	DPW-101P17	core washer	1
18	DPW-101P18	Gun valve spring	1
19	DPW-101P19	Gun valve core	1
20	DPW-101P20	O-ring Ø3*1.5	1
21	DPW-101P21	Gun valve body	1
22	DPW-101P22	U-pin for gun valve	1
23	DPW-101P23	Decorative-right	1
24	DPW-101T24	Logo laber ( 2PCS )	1 SET
25	DPW-101P25	Suction connector kit	1
26	DPW-101P26	Big trigger	1
27	DPW-101P27	Trigger bracket	1
28	DPW-101P28	O-ring 11*2.5	1


NO.	INDEX NO.	DESCRIPTION	D'TY
29	DPW-101P29	Inlet connector	1
30	DPW-101P30	Water connector filter	1
31	DPW-101P31	body plug	1
32	DPW-101P32	O-ring Ø16*1.7	1
33	DPW-101P33	PCB kit	1
34	DPW-101P34	Left housing	1
35	DPW-101P35	Shift label	1
36	DPW-101P36	Name plate	1
37	DPW-101T37	Screw(ST3*14) ( 13PCS )	1 SET
38	DPW-101T38	Quick connector for slim hos ( 2PCS )	1 SET
39	DPW-101P39	Slim water inlethose kit (12mm*4M )	1
40	DPW-101P40	DETERGENT BOTTLE	1
41	DPW-101P41	foam nozzle	1
K01	DPW-101K01	Gun valve body Assembly ( 15~22,31 )	1 SET
K02	DPW-101K02	Big trigger Assembly ( 26,27 )	1 SET
K03	DPW-101K03	Inlet connector Assembly ( 28,29,30 )	1 SET

# Carte de garantie

## Garantie limitée du fabricant

**Mighty Seven International Co., LTD.** offre une garantie limitée aux produits fabriqués par **Mighty Seven** et vendus par ses revendeurs agréés dans le monde entier. La garantie limitée s'applique uniquement aux produits dont le matériel et la fabrication sont défectueux et ne s'applique pas aux produits qui ont été malmenés ou mal utilisés. Si un produit **Mighty Seven** est défectueux, veuillez le retourner au revendeur où il a été acheté en précisant vos coordonnées. Les réparations ou les remplacements sont garantis comme décrit ci-dessus; dans le cas contraire, le service de réparation ou de remplacement sera facturé.

## Veillez conserver cette carte de garantie

Date d'achat	Référence de l'article
Date d'expiration de la garantie	Numéro de série
Tampon du distributeur	
	

Date d'achat :	Référence de l'article :
Date d'expiration de la garantie :	Numéro de série :
Nom :	
Nom de la société :	
Adresse :	
Téléphone :	Fax :
E-mail :	
<b>Secteur d'activité :</b>	
<input type="checkbox"/> Agriculture	<input type="checkbox"/> Réparation de peinture et de carrosserie
<input type="checkbox"/> Réparation automobile générale	<input type="checkbox"/> Travaux publics / Services publics
<input type="checkbox"/> Pneumatiques	<input type="checkbox"/> Usine
<input type="checkbox"/> Entretien / réparation de camions	<input type="checkbox"/> Usage domestique
<input type="checkbox"/> Constructeur automobile	<input type="checkbox"/> Autre

# ALLGEMEINE SICHERHEITSBESTIMMUNGEN

## NICHT FÜR DEN GEBRAUCH BESTIMMT

Diese Hochdruckreinigungspistole ist zur Reinigung von Booten, Autos, Decks, Einfahrten, Grills, Hausverkleidungen, Motorrädern, Terrassen und Gartenmöbeln geeignet.

Dieses Gerät ist nicht für die Verwendung durch Personen (einschließlich Kinder) mit eingeschränkten physischen, sensorischen oder geistigen Fähigkeiten geeignet, oder Mangel an Erfahrung und Wissen, es sei denn, sie werden beaufsichtigt oder wurden bezüglich der Benutzung des Geräts durch eine für ihre Sicherheit verantwortliche Person eingewiesen.

1. Kinder sollten beaufsichtigt werden, um sicherzustellen, dass sie nicht mit dem Gerät spielen.
2. Die Reinigung und Wartung durch den Benutzer darf nicht durch Kinder ohne Aufsicht durchgeführt werden.
3. Flüssigkeit darf nicht auf Geräte gerichtet werden, die elektrische Bauteile enthalten (z. B. das Innere von Öfen).
4. Die mit dem Gerät mitgelieferten, neuen Schläuche müssen mit dem Gerät benutzt werden, alte Schläuche dürfen nicht wiederverwendet werden.
5. Das Gerät darf nicht unbeaufsichtigt gelassen werden, während es am Akku angeschlossen ist.
6. Das Gerät darf nicht benutzt werden, wenn es heruntergefallen ist, sichtbare Anzeichen einer Beschädigung aufweist, oder wenn es undicht ist.
7. Halten Sie das Gerät außerhalb der Reichweite von Kindern, wenn es unter Strom steht oder abkühlt.

## ORIGINALANLEITUNG

### **WARNUNG**

#### **Lesen Sie alle Anweisungen!**

Die Nichtbeachtung der unten aufgeführten Sicherheitshinweise kann zu Stromschlägen, Feuer und / oder schweren Körperverletzungen führen.

#### **Bewahren Sie alle Warnungen und Anweisungen zum späteren Nachschlagen auf.**

Der Begriff „Elektrowerkzeug“ in den Warnungen bezieht sich auf Ihr netzbetriebenes (schnurgebundenes) Elektrowerkzeug oder batteriebetriebenes (schnurloses) Elektrowerkzeug.

## SICHERHEIT DES ARBEITSBEREICHS

1. Halten Sie den Arbeitsbereich sauber und gut beleuchtet. Überfüllte oder dunkle Bereiche führen zu Unfällen.
2. Betreiben Sie Elektrowerkzeuge nicht in explosionsgefährdeten Bereichen, z. B. in Gegenwart von nicht brennbaren Flüssigkeiten, Gasen oder Staub. Power tools erzeugen Funken, die Staub oder Dämpfe entzünden können.
3. Halten Sie Kinder und Umstehende fern, während Sie ein Elektrowerkzeug bedienen. Ablenkungen können dazu führen, dass Sie die Kontrolle verlieren.

## ELEKTRISCHE SICHERHEIT

1. Power Tool Stecker müssen mit der Steckdose übereinstimmen. Ändern Sie den Stecker niemals in irgendeiner Weise. Verwenden Sie keine Adapterstecker mit geerdeten Elektrowerkzeugen. Unveränderte Stecker und passende Steckdosen verringern das Risiko eines Stromschlags.
2. Vermeiden Sie den Körperkontakt mit geerdeten Oberflächen wie Rohren, Heizkörpern, Herden und Kühlschränken. Wenn Ihr Körper geerdet ist, besteht ein erhöhtes Risiko eines Stromschlags.
3. Setzen Sie Elektrowerkzeug weder Regen noch Nässe aus. Wasser, das in ein Elektrowerkzeug eindringt, erhöht das Risiko eines Stromschlags.
4. Niemals das Kabel missbrauchen. Verwenden Sie niemals das Kabel zum Tragen, Ziehen oder Herausziehen des Elektrowerkzeugs. Halten Sie das Kabel von Hitze, Öl und scharfen Kanten fern. Beschädigte oder verwickelte Kabel erhöhen Sie das Risiko eines Stromschlags.
5. Wenn Sie ein Elektrowerkzeug im Freien betreiben, verwenden Sie ein Verlängerungskabel, das für den Außenbereich geeignet ist, es verringert das Risiko eines Stromschlags.
6. Wenn Sie ein Elektrowerkzeug an einem feuchten Ort betreiben müssen, verwenden Sie ein Fehlerstromschutzgerät (RCD) für eine geschützte Versorgung. Die Verwendung eines Fehlerstromschutzgeräts reduziert das Risiko eines Stromschlags.

# ALLGEMEINE SICHERHEITSBESTIMMUNGEN

## PERSÖNLICHE SICHERHEIT

1. Seien Sie wachsam. Achten Sie darauf, was Sie tun, und arbeiten Sie ruhig und überlegt mit einem Elektrowerkzeug. Verwenden Sie das Gerät nicht, wenn Sie müde sind, sich nicht konzentrieren können oder wenn Ihre Reaktionsfähigkeit durch die Einnahme von Drogen, Alkohol oder Medikamenten beeinträchtigt ist. Ein Moment der Unaufmerksamkeit beim Bedienen eines Elektrowerkzeugs kann zu schweren Verletzungen führen.
2. Tragen Sie Kleidung, persönliche Schutzausrüstung und immer eine Schutzbrille. Das Tragen persönlicher Schutzkleidung und -ausrüstung wie Atemmaske, rutschfesten Schuhen, Helm oder Gehörschutz verringert das Verletzungsrisiko.
3. Vermeiden Sie versehentliches Zünden. Stellen Sie sicher, dass sich das Elektrowerkzeug in der Position "OFF" (= Aus) befindet, bevor Sie den Stecker in die Steckdose stecken und / oder die Batterie anschließen. Das Tragen des Geräts mit dem Finger am Schalter oder das Einstecken des Geräts im eingeschalteten Zustand kann zu Unfällen führen.
4. Entfernen Sie alle Werkzeuge oder Schraubenschlüssel, bevor Sie das Elektrogerät einschalten. Ein Werkzeug oder ein Schraubenschlüssel in einem beweglichen Teil des Geräts kann zu Verletzungen führen.
5. Vermeiden Sie unsichere Körperpositionen. Finden Sie eine sichere Position und halten Sie Ihr Gleichgewicht jederzeit aufrecht. Auf diese Weise können Sie das elektrische Gerät im Falle einer unerwarteten Situation besser steuern.
6. Geeignete Kleidung tragen. Tragen Sie keine lose Kleidung oder Schmuck. Halten Sie Haare, Kleidung und Handschuhe von beweglichen Teilen fern. Lose Kleidung, Schmuck und lange Haare können sich in beweglichen Teilen verfangen.
7. Wenn Saug- und Staubsammelvorrichtungen angebracht werden können, stellen Sie sicher, dass diese sicher angebracht sind und ordnungsgemäß verwendet werden. Die Verwendung dieser Geräte verringert das Staubrisiko.

8. Lassen Sie nicht zu, dass die Vertrautheit, die Sie durch den häufigen Gebrauch von Werkzeugen gewonnen haben, dazu führt, dass Sie selbstgefällig werden und die Sicherheitsgrundsätze für Werkzeuge ignorieren. Eine unvorsichtige Handlung kann innerhalb von Sekundenbruchteilen zu schweren Verletzungen führen.

## VERWENDUNG UND WARTUNG DES ELEKTROWERKZEUGS

1. Überlasten Sie das Gerät nicht. Verwenden Sie das richtige Elektrowerkzeug für Ihre Aufgabe. Mit dem richtigen Werkzeug arbeiten Sie im angegebenen Arbeitsbereich besser und sicherer.
2. Verwenden Sie keine Elektrowerkzeuge mit einem defekten Schalter. Ein Elektrowerkzeug mit einem defekten Schalter ist gefährlich und muss repariert werden.
3. Ziehen Sie den Stecker aus der Steckdose und / oder den Akku aus dem Werkzeug, bevor Sie Einstellungen vornehmen, das Zubehör wechseln oder das Gerät aufbewahren. Diese Vorsichtsmaßnahme verhindert ein versehentliches Zünden des Gerätes.
4. Bewahren Sie nicht verwendete Elektrowerkzeuge außerhalb der Reichweite von Kindern auf. Verhindern Sie die Verwendung des Geräts durch Personen, die mit dem Gerät nicht vertraut sind oder diese Anweisungen nicht gelesen haben. Elektrowerkzeuge sind gefährlich, wenn sie von unerfahrenen Personen verwendet werden.
5. Warten Sie das Elektrowerkzeug sorgfältig. Stellen Sie sicher, dass die beweglichen Teile ausgerichtet sind und nicht kleben, und daß kein Teil so stark beschädigt ist, dass der Betrieb des Geräts beeinträchtigt wird. Lassen Sie beschädigte Teile reparieren, bevor Sie das Gerät verwenden. Viele Unfälle werden durch unsachgemäße Wartung von Elektrowerkzeugen verursacht.
6. Verwenden Sie das Elektrowerkzeug, Zubehör, Klingen usw. gemäß diesen Anweisungen und auf die für diesen Gerätetyp vorgeschriebene Weise. Berücksichtigen

# ALLGEMEINE SICHERHEITSBESTIMMUNGEN

Sie die Arbeitsbedingungen und die durchgeführten Aktivitäten. Die Verwendung von Elektrowerkzeugen für andere als die vorgesehenen Anwendungen kann zu gefährlichen Situationen führen.

7. Griffe und Greifflächen trocken, sauber und frei von Öl und Fett halten. Rutschige Griffe und Greifflächen ermöglichen keine sichere Handhabung und Kontrolle des Werkzeugs in unerwarteten Situationen. Dieses kann zu einer gefährlichen Situation führen.

## VERWENDUNG UND WARTUNG DES BATTERIEWERKZEUGS

1. Laden Sie den Akku nur in vom Hersteller empfohlenen Ladegeräten auf. Das für einen bestimmten Batterietyp vorgesehene Ladegerät birgt eine Brandgefahr, wenn es mit einem anderen Batterietyp verwendet wird.
2. Verwenden Sie in Elektrowerkzeugen nur für diesen Zweck vorgesehene Batterien. Die Verwendung anderer Akkus kann zu Unfällen und Brandgefahr führen.
3. Wenn der Akku nicht verwendet wird, halten Sie ihn von Metallgegenständen wie Büroklammern, Münzen, Schlüsseln, Nägeln, Schrauben oder anderen kleinen Metallgegenständen fern, die einen Stromfluss von einem Terminal zum Anderen herstellen können. Ein Kurzschluss zwischen den Batterieklemmen kann Verbrennungen oder einen Brand verursachen.
4. Unter missbräuchlichen Bedingungen kann Flüssigkeit aus der Batterie ausgestoßen werden. Kontakt vermeiden. Bei versehentlichem Kontakt mit Wasser abspülen. Wenn Flüssigkeit mit den Augen in Kontakt kommt, konsultieren Sie auch einen Arzt. Aus der Batterie ausgestoßene Flüssigkeit kann zu Reizungen oder Verbrennungen führen.
5. Verwenden Sie keine beschädigten oder veränderten Akkus oder Werkzeuge. Beschädigte oder veränderte Batterien können ein unvorhersehbares Verhalten zeigen, das zu Feuer, Explosion oder Verletzungsgefahr führen kann.
6. Setzen Sie einen Akku oder Werkzeug keinem Feuer oder übermäßiger Temperatur aus. Explosionsgefahr bei Einwirkung von Feuer oder Temperaturen über 130 °C (Temperatur „265 °F“).
7. Befolgen Sie alle Ladeanweisungen und laden Sie den Akku oder das Werkzeug nicht außerhalb des in der Anleitung angegebenen Temperaturbereichs. Unsachgemäßes Aufladen oder bei Temperaturen außerhalb des angegebenen Bereichs kann den Akku beschädigen und die Brandgefahr erhöhen.

## SERVICE

1. Lassen Sie das Gerät nur von qualifiziertem Personal mit nur identischen Ersatzteilen reparieren, um die Sicherheit des Werkzeugs zu gewährleisten.
2. Warten Sie niemals beschädigte Akkus. Die Wartung von Batteriepacks sollte nur vom Hersteller oder autorisierten Dienstleistern durchgeführt werden.

# SICHERHEITSHINWEISE

Bitte lesen und verstehen Sie die gesamte Anleitung, bevor Sie versuchen, das Produkt zusammenzubauen und in Betrieb nehmen. Bewahren Sie diese Anleitung zum späteren Nachschlagen auf.

Dieses Handbuch enthält Informationen, die sich auf die **PERSONENSCHUTZ-SICHERHEIT** und **VERHINDERUNG VON AUSRÜSTUNGSPROBLEMEN** beziehen.

Es ist sehr wichtig, dass Sie dieses Handbuch sorgfältig lesen und verstehen, bevor Sie das Produkt benutzen. Die folgenden Symbole werden verwendet, um auf diese Informationen hinzuweisen.



Mögliche Gefahr, die zu schweren Verletzungen oder Lebensverlust führen können.



Gefahr, die zu schweren Verletzungen oder zu Lebensverlust führen kann.



Mögliche Gefahr, die zu mittelschweren Verletzungen oder Schäden am Gerät führen kann.

Hinweis: Das Wort "Hinweis" wird verwendet, um den den Leser auf etwas hinzuweisen, was der Bediener über das Werkzeug wissen muss.



Lesen Sie alle Sicherheitshinweise und Anweisungen.

Die Nichtbeachtung der Warnhinweise kann zu Stromschlag, Feuer und/oder schweren Verletzungen führen.

1. Vor der Installation dieses Produkts sollten Sie die Installationsanleitung gelesen und vollständig verstanden haben. Die Installationsanleitung muss gelesen werden, um Personen- und Sachschäden zu vermeiden. Bewahren Sie diese Montageanleitung an einem leicht zugänglichen Ort zum späteren Nachschlagen auf.
2. Dieser Bausatz enthält Kleinteile, die bei Verschlucken eine Erstickengefahr darstellen.
3. Warnung - Wenn Sie dieses Produkt verwenden, sollten immer grundlegende Vorsichtsmaßnahmen beachtet werden, einschließlich der Folgenden:
4. Lesen Sie alle Anweisungen, bevor Sie das Produkt benutzen.
5. Sie müssen wissen, wie Sie das Produkt anhalten und den Druck schnell ablassen

können. Machen Sie sich gründlich mit den Bedienelementen vertraut.

6. Den Arbeitsbereich von Personen freihalten.
7. Nicht zu weit hervorlehnen oder auf instabilen Unterfläche stehen. Stets auf guten Stand und Gleichgewicht zu jeder Zeit achten.
8. Befolgen Sie die Wartungsanweisungen, wie sie in der Anleitung angegeben werden.
9. Um Personen- und/oder Sachschäden zu vermeiden, und um Ihre Erfahrung mit dem Gerät zu maximieren, befolgen Sie sorgfältig alle Sicherheitshinweise, Anweisungen und Sicherheitsvorkehrungen. Beachten Sie Warnungen und Sicherheitsvorkehrungen, und machen Sie sich mit allen Bedienelementen vertraut. Vergewissern Sie sich zu wissen, wie Sie den Druck von allen Teilen schnell abbauen können, und die Hochdruckreinigungspistole ausschalten.
10. Diese Hochdruckreinigungspistole entspricht den CSA und anderen Sicherheits- und Verbrauchernormen. Verändern oder bauen Sie keine Teile Ihres Motorreinigers um.
11. Benutzen Sie Ihre Hochdruckreinigungspistole nicht, wenn Sie unter Einfluss von Alkohol oder Drogen stehen. Benutzen Sie dieses Elektrowerkzeug vorsichtig und nur, wenn Sie aufmerksam sind.
12. Achten Sie auf Ihr Gleichgewicht und Ihren Stand, während Sie Ihre Hochdruckreinigungspistole benutzen. Die Oberflächen werden rutschig, wenn sie nass sind und besonders rutschig, wenn Sie ein Reinigungsmittel verwenden.
13. Bedienen Sie die Hochdruckreinigungspistole niemals barfuß, in Sandalen oder offenen Schuhen.
14. Wenn Sie die Hochdruckreinigungspistole in der Nähe von Kindern benutzen, stellen Sie sicher, dass sie von einem Erwachsenen beaufsichtigt werden, um Verletzungen zu vermeiden. Lassen Sie niemals ein Kind die Hochdruckreinigungspistole benutzen.
15. Halten Sie Finger, Hände, Füße und andere Körperteile vom Hochdruckwasserstrahl fern. Der starke Wasserstrahl kann zu Erblindung führen oder die Haut verletzen. Es kann ein Fenster zerbrechen, wenn Sie den Abzug der der Spritzpistole zu nahe bringen.
16. Tragen Sie immer einen Augenschutz, um um Augenverletzungen zu vermeiden, wenn Sie die Hochdruckreinigungspistole benutzen.

# SICHERHEITSHINWEISE

17. Um Missgeschicke oder Verletzungen zu vermeiden, benutzen Sie **IMMER** die Abzugssperre, wenn Sie die Hochdruckreinigungspistole nicht benutzen, auch wenn Sie sie nur kurz anhalten.
18. Richten Sie die Hochdruckreinigungspistole in eine sichere Richtung, bevor Sie mit dem Gebrauch beginnen.
19. Warnung - **NIEMALS** direkt auf eine Person, ein Tier, ein elektrisches Gerät oder das Gerät selbst sprühen.
20. Wenn Sie die Hochdruckreinigungspistole zum ersten Mal benutzen, halten Sie das Gerät beim Betätigen des Abzugs mit zwei Händen (eine Hand zum Ziehen des Abzugs und die andere zur Stabilisierung des Geräts), bis Sie sich an den "Rückschlag" der Hochdruckreinigungspistole gewöhnen.
21. Wenn Sie den Netzschalter drücken, im die Hochdruckreinigungspistole auszuschalten, kann Wasserdruck im System verbleiben. Um den Druck abzulassen, richten Sie die Hochdruckreinigungspistole in eine sichere Richtung und ziehen Sie den Abzug.
22. Niemals brennbare Flüssigkeiten versprühen.
23. Verwenden Sie die Hochdruckreinigungspistole niemals in Bereichen, die brennbaren Staub, Flüssigkeiten oder Dämpfe enthalten.
24. Vermeiden Sie den Kontakt des Druckschlauchs mit scharfen Gegenständen und überprüfen Sie den Schlauch regelmäßig. Bei Beschädigung austauschen. Wegen des hohen Drucks kann er nicht repariert werden, wenn er zerschnitten oder beschädigt ist.
25. Verwenden Sie nur Reinigungsmittel für Hochdruckreiniger und folgen Sie den Anweisungen auf dem Etikett des Reinigungsmittels. Geschirr- oder Waschseife sind zu dickflüssig und und verstopfen die Düse der Hochdruckreinigungspistole.
26. Schützen Sie Augen, Atemwege und Haut vor dem Kontakt mit Reinigungsmitteln.
27. Warnung: Bei Anschluss an ein Trinkwassersystem sollte das System gegen Rückfluss geschützt werden.

## **VORSICHT**

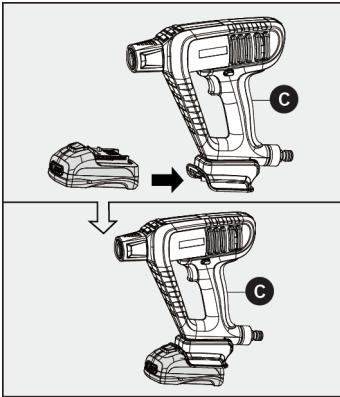
Lagern Sie die Hochdruckreinigungspistole im Inneren bei Raumtemperatur, um das Gerät vor Frost zu schützen.  
Wenn das Wasser gefriert und sich ausdehnt, wird Ihre Hochdruckreinigungspistole beschädigt und funktionsunfähig.

## **WARNUNG**

- Dieses Produkt kann Sie Chemikalien aussetzen einschließlich Blei, Phthalat oder Bisphenol A, die dem Bundesstaat Kalifornien bekannt sind und Krebs, Geburtsfehler oder andere Fortpflanzungsschäden verursachen können. Waschen Sie nach Benutzung Ihre Hände. Weitere Informationen finden Sie unter [www.P65Warnings.ca.gov](http://www.P65Warnings.ca.gov)
28. Verwenden Sie niemals heißes Wasser mit der Hochdruckreinigungspistole. Das Gerät wird überhitzt und beschädigt die Hochdruckpumpe.
  29. Lassen Sie die Hochdruckreinigungspistole niemals unbeaufsichtigt, wenn sie eingeschaltet ist.
  30. Schalten Sie immer die Wasserversorgung ein, bevor Sie die Hochdruckreinigungspistole einschalten. Wenn die Pumpe trocken läuft, werden Schäden an den internen Komponenten verursacht.
  31. Verwenden Sie niemals eine Wasserzufuhr zu Ihrer Hochdruckreinigungspistole, die einen Druck von 150 PSI überschreitet.
  32. Trennen Sie niemals den Hochdruckschlauch vom Hochdruckreiniger ab, während das System unter Druck steht.
  33. Niemals ständig den Auslösemechanismus der Hochdruckreinigungspistole einrasten.
  34. Betreiben Sie die Hochdruckreinigungspistole niemals, wenn nicht alle Komponenten ordnungsgemäß und sicher angeschlossen sind.
  35. Lassen Sie die Pumpe der Hochdruckreinigungspistole niemals mehr als eine Minute lang laufen, nachdem Sie die Wasserversorgung abgestellt haben. Dies kann dazu führen, dass der Motor und die Pumpe überhitzen und ausfallen.
  36. Verwenden Sie niemals Lanzen oder andere Teile, die nicht für dieses spezielle Produkt geeignet sind.
  37. Sprühen Sie niemals mit der Hochdruckreinigungspistole in eine Steckdose.
  38. Bleiben Sie wachsam - passen Sie auf, was Sie tun.

# SICHERHEITSHINWEISE

## AKKU NICHT IM LIEFERUMFANG ENTHALTEN



- Benutzen Sie nicht die Hochdruckreinigungspistole, das Ladegerät, den Ladestecker oder die Ladeklemmen mit nassen Händen.
- Schalten Sie alle Bedienelemente aus, bevor Sie den Akku herausnehmen.
- Schalten Sie die Hochdruckreinigungspistole aus und nehmen Sie den Akku heraus, bevor Sie den Schlauch oder anderes Zubehör anschließen. • Prevent unintentional starting. Ensure the switch is in the off-position before connecting to battery pack, picking up or carrying the power cleaner. Carrying the power cleaner with your finger on the switch invites accidents.
- Verhindern Sie ein unbeabsichtigtes Starten. Vergewissern Sie sich, dass der Schalter in der Aus-Stellung ist, bevor der Akku eingelegt oder die Hochdruckreinigungspistole benutzt wird. Das Tragen der Hochdruckreinigungspistole mit dem Finger auf dem Schalter kann zu Unfällen führen.
- Trennen Sie den Akku von der Hochdruckreinigungspistole, bevor Sie irgendwelche Einstellungen vornehmen, das Zubehör wechseln oder die Hochdruckreinigungspistole lagern. Solche präventiven Sicherheitsmaßnahmen verringern das Risiko eines versehentlichen Starten der Hochdruckreinigungspistole.
- Laden Sie das Gerät nur mit dem vom Hersteller angegebenen Ladegerät auf. Ein Ladegerät, das für einen bestimmten Akkutyp geeignet ist, kann eine Brandgefahr darstellen, wenn es mit einem anderen Akku verwendet wird.
- Verwenden Sie die Hochdruckreinigungspistole nur mit speziellem Akku. Die Verwendung von anderen Akkus besteht Verletzungs- und Brandgefahr.
- Wenn der Akku nicht verwendet wird, halten Sie ihn von anderen Metallgegenständen fern, wie Büroklammern Büroklammern, Münzen, Schlüsseln, Nägeln, Schrauben oder anderen kleinen Metallgegenständen, die eine Verbindung von einem Pol zum anderen herstellen können. Das Kurzschließen der Batteriepole kann zu Verbrennungen oder einem Brand führen.
- Unter ungünstigen Bedingungen kann Flüssigkeit aus der Batterie austreten. Vermeiden Sie den Kontakt. Sollte es versehentlich zu einem Kontakt kommen, spülen Sie mit Wasser. Wenn Flüssigkeit in die Augen gelangt, suchen Sie medizinische Hilfe. Aus der Batterie austretende Flüssigkeit kann Reizungen oder Verbrennungen verursachen.
- Verwenden Sie keine beschädigten oder modifizierten Akkus oder oder eine Hochdruckreinigungspistole, die beschädigt oder modifiziert ist. Beschädigte oder modifizierte Akkus können ein unvorhersehbares Verhalten zeigen, das zu Feuer, Explosion oder Verletzungsgefahr führen kann.
- Setzen Sie einen Akku oder eine Hochdruckreinigungspistole keinem Feuer oder überhöhten Temperaturen aus. Feuer oder Temperaturen über 100°C (212°F) kann zur Explosion führen.
- Befolgen Sie alle Ladeanweisungen und und laden Sie den Akku oder eine Hochdruckreinigungspistole nicht außerhalb des in der Anleitung angegebenen Temperaturbereichs auf. Unsachgemäßes Aufladen oder Temperaturen außerhalb des angegebenen Bereichs kann den Akku beschädigen und die Brandgefahr erhöhen.



# SICHERHEITSHINWEISE

## VORSICHT

UM DAS RISIKO VON VERLETZUNGEN DURCH BEWEGLICHE TEILE ZU VERMEIDEN, TRENNEN SIE DEN AKKU VOR REINIGUNGS- ODER WARTUNGSARBEITEN AB.

## WARNUNG

UM DIE GEFAHR EINES BRANDES ODER EINER EXPLOSIONSGEFAHR ZU VERRINGERN, DIE HOCHDRUCKREINIGUNGSPISTOLE NICHT DEM REGEN AUSSETZEN. INNERHALB LAGERN.

## WARNUNG

UM DAS RISIKO EINES BRANDES ODER EINER EXPLOSIONSGEFAHR ZU VERMEIDEN, TRENNEN SIE DEN AKKU VOR REINIGUNGS- ODER WARTUNGSARBEITEN AB.

- Vermeiden Sie die Lagerung in direktem Sonnenlicht.
- Entsorgen Sie verbrauchte Batterien umgehend. Entsorgung von Sekundärzellen oder -batterien, Zellen oder Batterien mit unterschiedlichen, elektrochemischen Systemen voneinander getrennt.
- Bewahren Sie die Batterie außerhalb der Reichweite von Kindern und in der Originalverpackung auf, bis sie einsatzbereit sind.
- Nehmen Sie Batterien niemals in den Mund. Wenn sie verschluckt werden, wenden Sie sich an Ihren Arzt oder die örtliche Giftnotrufzentrale.
- Schließen Sie eine Zelle oder Batterie nicht kurz, lagern Sie Zellen oder Batterien nicht wahllos in einer Kiste oder Schublade auf, wo sie sich gegenseitig kurzschließen können, oder durch leitende Materialien kurzgeschlossen werden können.
- Die Batterie muss recycelt werden.
- Setzen Sie Zellen und Batterien keinen mechanischen Stößen aus.
- Halten Sie Zellen und Batterien sauber und trocken.
- Wischen Sie die Zell- oder Batteriepole mit einem sauberen, trockenen Tuch ab, wenn sie verschmutzt sind.
- Halten Sie Sekundärzellen und Batterien nicht geladen, wenn sie nicht benutzt werden.
- Wenn möglich, nehmen Sie die Batterie aus dem Gerät, wenn es nicht benutzt wird.
- Lassen Sie Wartungsarbeiten von einem qualifizierten Reparaturpersonal durchführen, das nur identische Ersatzteile verwendet. Dadurch wird sichergestellt, dass die Sicherheit des Geräts erhalten bleibt.

# SICHERHEITS-HINWEISE

Sicherheitssymbole sollen Sie auf mögliche Gefahren aufmerksam machen. Die Sicherheitssymbole und die dazugehörigen Erklärungen verdienen Ihre Aufmerksamkeit und Ihr Verständnis. Symbolwarnungen allein beseitigen nicht alle Gefahren. Die Anweisungen und Warnungen, die sie geben, sind kein Ersatz für geeignete Unfallverhütungsmaßnahmen.

**⚠️ WARNUNG** Lesen und verstehen Sie alle Sicherheitshinweise in diesem Handbuch, einschließlich aller Sicherheitswarnsymbole wie „GEFAHR“, „WARNUNG“ und „VORSICHT“, bevor Sie dieses Tool verwenden. Die Nichtbeachtung aller nachstehenden Anweisungen kann zu Stromschlägen, Bränden und / oder schweren Verletzungen führen.

## SYMBOL BEDEUTUNG

**⚠️ SICHERHEITSWARNSYMBOL:** Zeigt eine GEFAHR, WARNUNG oder VORSICHT an. Kann mit anderen Symbolen oder Piktogrammen verwendet werden.

**GEFAHR** Weist auf eine unmittelbar gefährliche Situation hin, die, wenn sie nicht vermieden wird, zum Tod oder zu schweren Verletzungen führen kann.



**WARNUNG** Weist auf eine potenziell gefährliche Situation hin, die, wenn sie nicht vermieden wird, zum Tod oder zu schweren Verletzungen führen kann.



**VORSICHT** Weist auf eine potenziell gefährliche Situation hin, die, wenn sie nicht vermieden wird, zu leichten oder mittelschweren Verletzungen führen kann.



### ⚠️ WARNUNG








Lesen Sie alle mit dem Symbol **⚠️** gekennzeichneten Sicherheitshinweise und Anweisungen.

# SICHERHEITS SYMBOLE

Einige dieser folgenden Symbole können für dieses Gerät verwendet werden. Bitte lesen Sie gründlich die Symbole und deren Bedeutung. Durch die richtige Interpretation dieser Symbole können Sie das Werkzeug besser und sicherer bedienen.

Gefährlicher Ort	Vorsicht	Markierung
Verwendung einer Hochdruckreinigungspistole	Elektrostatische Entladungsgeräte, die für Personen mit Herzschrittmachern gefährlich sein können. Wenn die relative Luftfeuchtigkeit weniger als 20 % beträgt, verwenden Sie bitte einen statischen Eliminator, um das elektrostatische Phänomen zu unterdrücken und die Gefahr eines elektrischen Schlags durch elektrostatische Aufladung zu verhindern.	
Hochdruckreinigungspistole	Augenschutz mit Sicherheitsglas	
Hochdruckreinigungspistole	Lesen Sie die Bedienungsanleitung sorgfältig durch, bevor Sie mit der Inbetriebnahme, dem Betrieb, der Wartung oder anderen Arbeiten am Werkzeug fortfahren.	

# SYMBOLES DE SÉCURITÉ

Gefährlicher Ort	Vorsicht	Markierung
Hochdruckreinigungspistole	Gehörschutz	
Hochdruckreinigungspistole	Elektroaltgeräte dürfen nicht mit dem Hausmüll entsorgt werden. Bitte recyceln Sie sie dort, wo Einrichtungen vorhanden sind. Erkundigen Sie sich bei Ihrer örtlichen Behörde oder Händler, um Ratschläge zum Recycling zu erhalten.	
Verwendung einer Hochdruckreinigungspistole	Verhindern Sie Vibrationen und die Verwendung von Schraubenschlüsseln in kurzer Zeit. Tragen Sie vibrationsdämpfende Handschuhe und achten Sie darauf, dass sich keine Teile der Handschuhe lösen, um ein Verfangen durch den Schraubenschlüssel zu verhindern.	
Verwendung einer Hochdruckreinigungspistole	Schläuche zur Wasserleitung. Einige Gebiete haben Beschränkungen für den direkten Anschluss an die öffentliche Trinkwasserversorgung, um die Rückführung von Chemikalien in die Trinkwasserversorgung zu verhindern. Ein direkter Anschluss über einen Sammeltank oder Rückflussverhinderer ist normalerweise erlaubt.	
Gleichstrom	Art oder Eigenschaft des Stroms	
Leerlaufdrehzahl	Drehzahl ohne Last	
Konstruktion der Klasse II	Doppelt isolierte Konstruktion	
Pro Minute	Umdrehungen, Hübe, Oberflächengeschwindigkeit Orbits usw. pro Minute	.../min or min <sup>-1</sup>



**WARNUNG** Um Sicherheit und Zuverlässigkeit zu gewährleisten, sollten alle Reparaturen von einem qualifizierten Servicetechniker durchgeführt werden.

# SPEZIFISCHE SICHERHEITS-REGELN

## SPEZIFISCHE SICHERHEITSBESTIMMUNGEN FÜR SCHLAGSCHRAUBER

1. Verwenden Sie den Akku nur mit dem unten genannten Ladegerät:

AKKU	LADEGERÄT
DB-1850P	DC-18A

### WARNUNG

Benutzung nur mit  Li-Ionen Akku.

Benutzung nur mit  Ladegerät.

2. Tragen Sie bei Verwendung dieses Werkzeugs immer einen Augenschutz.
3. Vermeiden Sie Vibrationen und die Verwendung eines Schraubenschlüssels in kurzer Zeit. Tragen Sie vibrationsabsorbierende Handschuhe und achten Sie darauf, dass sich keine Teile der Handschuhe lösen, damit sie sich nicht mit dem Schraubenschlüssel verfangen.
4. Stellen Sie sicher, dass der Schalter auf OFF steht, bevor Sie eine Batterie einlegen. Das Einlegen des Akkus in ein eingeschaltetes, tragbares Gerät kann zu Unfällen führen.
5. Überprüfen Sie das Zubehör vor dem Einbau sorgfältig auf Abnutzung, Risse oder Beschädigungen.
6. Bits, Sockel und Werkzeuge werden während des Betriebs heiß. Tragen Sie Handschuhe, wenn Sie sie berühren.
7. Entfernen Sie den Akku, bevor Sie das Zubehör wechseln. Ein versehentlicher Start kann auftreten, da tragbare Geräte mit eingelegerter Batterie in einem dauerhaften Betriebszustand sind.

### WARNUNG

Bestimmte Stäube, die beim maschinellen Schleifen, Sägen, Schleifen, Bohren und anderen Bautätigkeiten entstehen, enthalten Chemikalien, von denen im Bundesstaat Kalifornien bekannt ist, dass sie Krebs, Geburtsfehler oder andere Geburtsfehler verursachen.

Hier sind einige Beispiele dieser Chemikalien:

- Blei in bleihaltigen Farben
- Kristallines Siliziumdioxid aus Ziegeln, Zement und anderen Mauerwerksprodukten
- Arsen und Chrom aus chemisch behandeltem Holz.

Ihr Risiko durch diese Expositionen variiert je nachdem, wie oft Sie dieser Art von Arbeit nachgehen. So reduzieren Sie Ihre Exposition gegenüber diesen Chemikalien: Arbeiten Sie in einem gut belüfteten Bereich.

- Arbeiten Sie mit zugelassener Sicherheitsausrüstung, z. B. Staubmasken, die speziell zum Filtern mikroskopischer Partikel entwickelt wurden.

Vermeiden Sie längeren Kontakt mit Staub, der beim Schleifen, Sägen, Schleifen, Bohren und anderen Bautätigkeiten entsteht. Tragen Sie Schutzkleidung und waschen Sie exponierte Stellen mit Wasser und Seife. Wenn Staub in Mund oder Augen gelangt oder sich auf der Haut ablagert, kann dies die Aufnahme schädlicher Chemikalien fördern.

### ANLEITUNG AUFBEWAHREN!

## SICHERHEITSHINWEISE FÜR DAS LADEGERÄT

1. Lesen Sie vor der Verwendung des Ladegeräts alle Anweisungen und Warnungen in diesem Handbuch sowie auf dem Ladegerät, der Batterie und dem Batterieprodukt, um Missbrauch und mögliche Verletzungen oder Beschädigungen zu vermeiden.

### VORSICHT

Um das Risiko eines Stromschlags oder einer Beschädigung des Ladegeräts und des Akkus zu verringern, laden Sie nur Lithium-

Ion Akkus, die speziell auf Ihrem Ladegerät angegeben sind. Andere Batterietypen können explodieren und Verletzungen oder Schäden verursachen.

2. Verwenden Sie das Ladegerät nicht im Freien oder bei Feuchtigkeit. Wenn Wasser in das Ladegerät gelangt, steigt das Risiko eines Stromschlags.
3. Die Verwendung von Zubehör, das vom Hersteller des Ladegeräts nicht empfohlen oder verkauft wird, kann zu Brand, Stromschlag oder Verletzungen führen.

4. Missbrauchen Sie weder das Kabel noch das Ladegerät. Tragen Sie das Ladegerät niemals am Kabel. Trennen Sie das Werkzeug niemals vom Netz, indem Sie am Kabel ziehen. Dies könnte das Kabel oder das Ladegerät beschädigen und einen Stromschlag verursachen. Ersetzen Sie beschädigte Kabel sofort.
5. Stellen Sie sicher, dass das Kabel an einem sicheren Ort aufbewahrt wird, damit niemand darauf treten oder darüber stolpern kann und dass es keinen Beschädigungen oder anderen Belastungen ausgesetzt ist. Dies verringert das Risiko versehentlicher Stürze, die zu Verletzungen führen und das Kabel beschädigen können, wodurch die Gefahr eines Stromschlags besteht.
6. Schützen Sie das Kabel und das Ladegerät vor Hitze, um Schäden am Gehäuse und an den Innenteilen zu vermeiden.
7. Schützen Sie die Kunststoffteile vor Benzin, Öl, Erdölprodukten usw. Diese Materialien enthalten Chemikalien, die Kunststoff beschädigen, schwächen oder zerstören können.
8. Verwenden Sie nur dann ein Verlängerungskabel, wenn dies unbedingt erforderlich ist. Die Verwendung eines ungeeigneten Verlängerungskabels kann zu Feuer, Stromschlag oder Stromschlag führen. Wenn ein Verlängerungskabel verwendet werden muss, stellen Sie Folgendes sicher:
  - daß der Stecker des Kabels die gleiche Anzahl von Stiften hat wie der des Ladegeräts, und seine Stifte die gleiche Form und Größe haben.
  - daß das Kabel gut verdrahtet und in gutem Zustand ist.
  - daß die Größe groß genug für die unten angegebene Stromstärke des Ladegeräts ist:

Kabellänge (Fuß)                    25' 50' 100'

Kabelgröße (AWG)                    16' (AWG)

**ANMERKUNG: AWG = American Wire Gauge**

(amerikanische Drahtstärke)

9. Betreiben Sie das Ladegerät nicht mit einem beschädigten Netzkabel oder Stecker, da die Gefahr eines Kurzschlusses und eines Stromschlags besteht. Wenn das Ladegerät beschädigt ist, lassen Sie es von einem autorisierten Techniker bei **m7** reparieren.
10. Betreiben Sie das Ladegerät nicht, wenn es einen schweren Schlag erlitten hat, heruntergefallen ist oder auf andere Weise beschädigt wurde. Bringen Sie das Ladegerät zu einem autorisierten Techniker bei **m7**, um eine elektrische Überprüfung durchzuführen, um festzustellen, ob das Ladegerät in einwandfreiem Zustand ist.
11. Zerlegen Sie das Ladegerät nicht. Bringen Sie es zu einem autorisierten Techniker bei **m7**, wenn eine Wartung oder Reparatur erforderlich ist. Ein falsch zusammengebautes Ladegerät kann zu Stromschlägen, Stromschlägen oder Bränden führen.
12. Ziehen Sie den Netzstecker aus der Steckdose, bevor Sie das Gerät reinigen oder warten. Diese Vorsichtsmaßnahme verringert das Risiko eines Stromschlags.
13. Trennen Sie das Ladegerät von der Stromversorgung, wenn es nicht verwendet wird. Dies verringert das Risiko eines Stromschlags und einer Beschädigung des Ladegeräts, wenn Metallgegenstände in die Öffnung fallen. Dies verhindert auch Schäden im Falle eines Stoßes.
14. Stromschlaggefahr! Berühren Sie nicht den nicht-isolierten Teil des Ausgangsanschlusses oder den nicht-isolierten Anschluss der Batterie.
15. Bewahren Sie diese Anweisungen sicher auf. Probieren Sie sie regelmäßig aus und informieren Sie andere über dieses Tool. Wenn Sie dieses Tool an eine andere Person ausleihen, leihen Sie die Anweisungen auch aus, um Missbrauch des Produkts und mögliche Verletzungen zu vermeiden.

## ALLGEMEINE INFORMATION

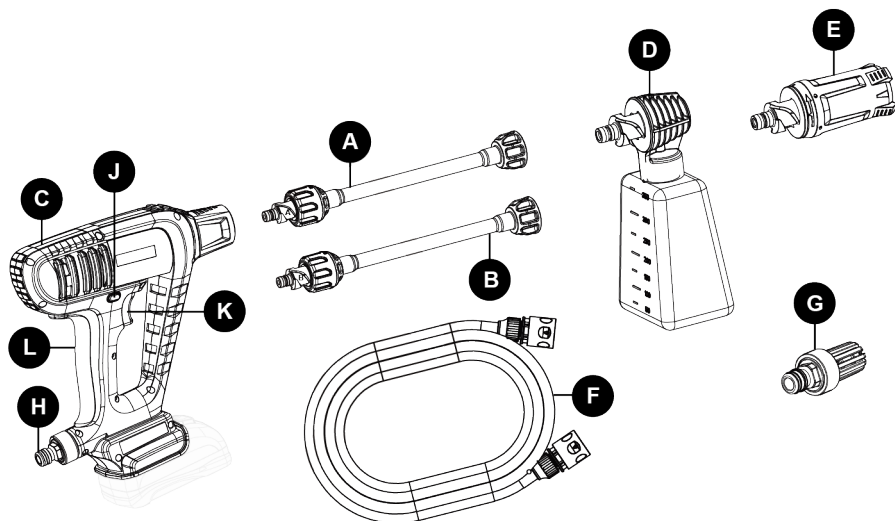
Die Seriennummer von Mighty Seven zeigt das Jahr in der 2./3. Ziffer und die Monate in der 4./5. Ziffer an.

## MODE D'EMPLOI

### BEDIENUNGSANLEITUNG

 Diese Hochdruckreinigungspistole ist für die Reinigung von Booten, Autos, Decks, Einfahrten, Grills, Hausverkleidungen, Motorrädern, Terrassen und Gartenmöbeln geeignet.

#### 1. Hauptteile von DPW-101



TEIL	BESCHREIBUNG	ANZAHL
A	Lanze A	1
B	Lanze B	1
C	Schnurloser Hochdruckreiniger	1
D	Hochdruck-Schaumreiniger	1
E	4-in-1 Düse	1
F	13' Wasseransaugschlauch-Set	1
G	Wasserfilter	1
H	Schlauch-Adapter	1
J	Sicherheitsspercknopf	1
K	Strom-Auslöser	1
L	Wasser Auslöser	1

## EIGENSCHAFTEN

<b>Modell</b>	DPW-101
<b>Durchflussmenge</b>	2.8L/min
<b>Schlauchlänge</b>	4M
<b>Maximaldruck</b>	2,5 MPa / 360 PSI / 25bar
<b>Li-Ion Batterie</b>	Li-ion 5,0 Ah
<b>Nennspannung</b>	18V
<b>Vollständige Ladung</b>	20V
<b>Gesamtlänge</b>	876 mm
<b>Gewicht</b>	1.72 kg
<b>Druck des einströmenden Wassers</b>	0,5 MPa MAX.

HINWEIS: Aufgrund des kontinuierlichen Weiterentwicklungsprogramms von **m7**, dienen die in diesem Handbuch enthaltenen Spezifikationen nur der allgemeinen Information und sind nicht verbindlich. Wir behalten uns das Recht vor, jederzeit und ohne Vorankündigung Änderungen an Teilen, Geräten und Zubehör vorzunehmen, die wir aus welchem Grund auch immer für notwendig erachten.

DOM-101: Getestet ohne Last durch Aufhängen

A-bewertete Schalldruckpegelmessung: L<sub>pfA</sub> = 69 dB, Unsicherheit K<sub>pA</sub> = 3 dB

A-bewerteter Schalleistungspegel in Berechnung: L<sub>wA</sub> = 77 dB, Unsicherheit K<sub>wA</sub> = 3 dB

Vibrationspegel (**m/s<sup>2</sup>**) : 0.2 m/s<sup>2</sup>, Unsicherheit K = 1,5 m/s<sup>2</sup>

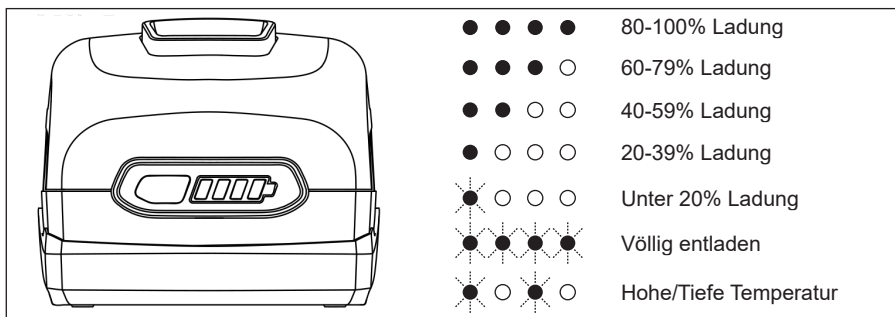
## 1. LED-ANZEIGE LADEGERÄT

LED ANZEIGE	AKKU	LED ROT	LED GRÜN	ACTION
HI/LO TEMP. (SIEHE ANLEITUNG)	Heiße/Kalte Batterie	An	Aus	Ladevorgang beginnt wenn Batterie zwischen 0°C-40°C
DEFEKTE BATTERIE	Defekt	Blinkend	Aus	Akku oder Ladergerät defekt
BATTERIE LADEN	Laden	Aus	Blinkend	Laden
BATTERIE VOLL	Volle Ladung	Aus	An	Ladevorgang komplett Wartungs-Laden

## 2. Ladeanzeige

Dieser Lithium-Ionen-Akku ist mit einer Ladeanzeige ausgestattet, über die die Restlaufzeit des Akkus angezeigt wird. Drücken Sie die Anzeigentaste, um die LED-Lichter anzuzeigen. Die LED-Lichter bleiben ca. 4 Sekunden eingeschaltet.

**ANMERKUNG:** Die Ladeanzeige kann unabhängig davon verwendet werden, ob die Batterie im Werkzeug ein- oder ausgesteckt ist.



## 3. ANZEIGE SCHWACHE LADUNG

- Wenn die LED-Anzeigen an der Ladeanzeige beim Drücken des Auslösers auf der Taste schnell und kontinuierlich blinken, wird der Akku entladen und muss aufgeladen werden.
- Im Gegensatz zu anderen Arten von Akkus liefern Lithium-Ionen Akkus für die Dauer des Akkus eine konstante und dauerhafte Leistung. Dieses Werkzeug verliert während der Arbeit nicht allmählich an Leistung. Um zu signalisieren, dass der Akku das Ende seiner Ladezeit erreicht hat, wird die Stromversorgung des Werkzeugs schnell unterbrochen. Die vier LED-Anzeigen an der Ladeanzeige blinken, wenn der Akku vollständig entladen ist. Entfernen Sie in diesem Fall das Werkzeug vom Werkstück und laden Sie den Akku gegebenenfalls wieder auf.

**Hinweis:** Die LED-Anzeigen an der Ladeanzeige können bei Überlastung oder hohen Temperaturen blinken.

## 4. WANN DER AKKU AUFGELADEN WERDEN SOLL

Legen Sie den Akku in das Ladegerät, um ihn neu zu starten, wenn der Akku geschützt ist. Der Lithium-Ionen Akku kann beim Aufladen nach einer Teilentladung jederzeit und ohne "Memory"-Effekt aufgeladen werden. Es ist nicht erforderlich, den Akku vor dem Aufladen zu entladen.

Nehmen Sie den Akku aus dem Werkzeug, wenn Sie es wünschen.

Verwenden Sie die Ladeanzeige, um zu bestimmen, wann der Akku aufgeladen werden soll.

Sie können die Batterieladung "aufladen", bevor Sie einen großen Auftrag oder eine lange Nutzungsdauer beginnen.

## 4. LAGERUNGS-EMPFEHLUNGEN

- Der beste Lagerort ist ein kühler und trockener Ort, vor direkter Sonneneinstrahlung, übermäßiger Hitze oder Kälte geschützt, nicht 40°C (104 °F) überschreiten.
- Bei längerer Lagerung wird empfohlen, einen vollständig aufgeladenen Akku an einem kühlen, trockenen Ort außerhalb des Ladegeräts zu lagern, um optimale Ergebnisse zu erzielen.



Der Akku muss vor der Verwendung aufgeladen werden.



# EIGENSCHAFTEN

## **WARNUNG**

Wenn ein Teil defekt ist oder fehlt, versuchen Sie NICHT, das Netzkabel anzuschließen, den Akku anzuschließen oder das Werkzeug zu verwenden, bis das defekte oder fehlende Teil ersetzt ist.

Andernfalls kann es zu schweren Verletzungen kommen.

## **WARNUNG**

Versuchen Sie nicht, dieses Werkzeug zu ändern oder Zubehör zu erstellen, das für die Verwendung mit diesem Werkzeug nicht empfohlen wird.

Eine solche Änderung oder Modifikation ist eine unsachgemäße Verwendung und kann zu einer gefährlichen Situation führen, die zu schweren Verletzungen führen kann.

## **WARNUNG**

Ihr Werkzeug darf niemals an die Stromquelle angeschlossen werden, wenn Teile zusammengebaut, Einstellungen vorgenommen, Anwendungswerkzeuge installiert oder entfernt, gereinigt oder nicht verwendet werden. Durch Trennen des Werkzeugs wird ein versehentliches Starten verhindert, das zu schweren Verletzungen führen kann.

## INHALT

Auf der Verpackung

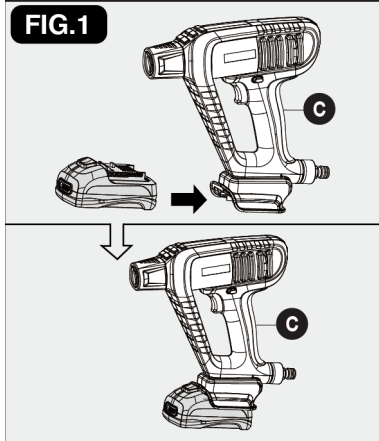
## AUSPACKEN

1. Nehmen Sie das Werkzeug und das gesamte Zubehör vorsichtig aus der Verpackung. Stellen Sie sicher, dass alle in der Packliste aufgeführten Artikel enthalten sind.
2. Überprüfen Sie das Werkzeug sorgfältig, um sicherzustellen, dass während des Transports keine Brüche oder Beschädigungen aufgetreten sind.
3. Werfen Sie die Verpackung erst weg, wenn Sie das Werkzeug sorgfältig geprüft und ordnungsgemäß verwendet haben.

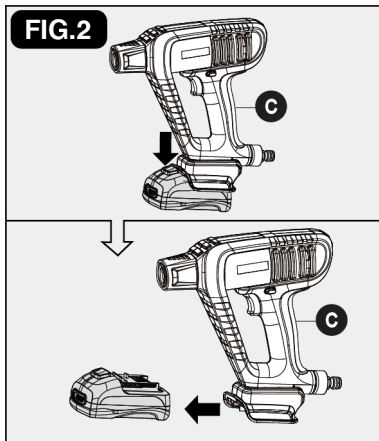
# MONTAGEANLEITUNG

## EINBAU UND AUSBAU AKKU

Zum Einsetzen des Akkus schieben Sie ihn in den Akkuschacht, bis er einrastet (ABB.1).

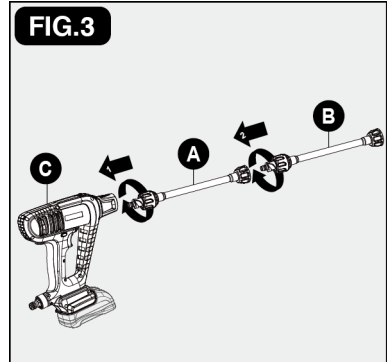


Um den Akku zu entfernen, drücken Sie die Verriegelung und ziehen Sie ihn aus dem Akkuschacht heraus (ABB.2).



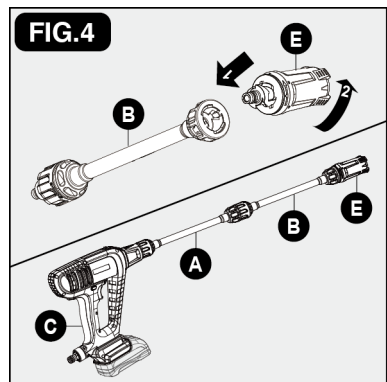
## VERLÄNGERUNGSLANZE UND EINBAU DER DÜSE

Wenn der Akku-Reiniger (C) verriegelt ist, stecken Sie die Lanze (A) in das in das Ende des Hochdruckreinigers ein, indem Sie sie im Uhrzeigersinn drehen, bis sie vollständig einrastet. Stecken Sie die Lanze (B) in die Lanze (A). Zum Herausnehmen drehen Sie sie gegen den Uhrzeigersinn.



Befestigen Sie die 4-in-1-Düse (E) durch Eindrücken und Drehen im Uhrzeigersinn am Ende der Lanze (B). Zum Entfernen drehen Sie sie entgegen dem Uhrzeigersinn.

**Hinweis:** Drücken Sie immer den Sicherheitsverriegelungsknopf um den Abzug zu sperren, wenn Sie die Lanzen und Düsen tauschen, um sicherzustellen, dass sie nicht dabei versehentlich mit Gewalt herausgeschleudert werden.

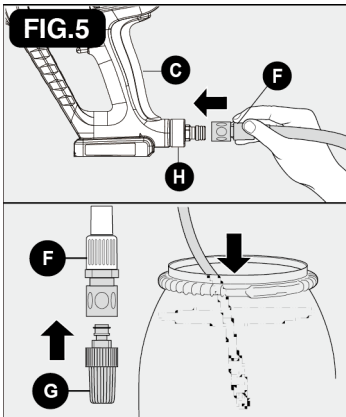


# MONTAGEANLEITUNG

## WASSERVERSORGUNGSANSCHLUSS

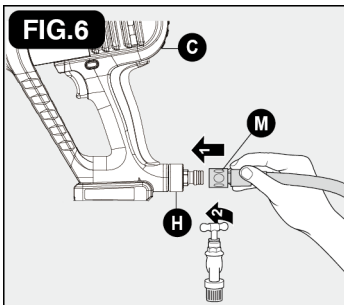
Befestigen Sie den Wasseransaugschlauchsatz (F) am Schlauchadapter (H). Befestigen Sie den Filter (G) am Schlauchsatz (F).

Hinweis: Spülen Sie den Gartenschlauch aus, bevor Sie ihn an den Gartenschlauchadapter anschließen. Der Kraftreiniger kann mit Wasser aus einem Wassertank oder anderen Quellen betrieben werden. Nehmen Sie immer nur sauberes Wasser. Verwenden Sie immer den Wasser-Saugschlauchsatz (F) und reinigen Sie den Filter (G) regelmäßig (ABB.5).



Der Kraftreiniger kann auch mit Wasser aus dem Wasserhahn benutzt werden. Der Adapter (M) für den Gartenschlauch ist in der Verpackung enthalten (ABB.6).

Bringen Sie immer einen Wasserfilter zwischen Schlauchadapter und Wasserhahn, um Schäden am Kraftreiniger zu verhindern.



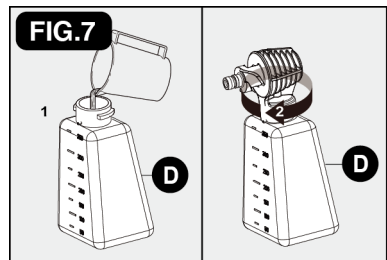
Sie haben nun die Montage abgeschlossen und sind bereit, Ihre Hochdruckreiniger in Betrieb zu nehmen.

Lesen und beachten Sie alle Sicherheitshinweise.

## EINSATZ SCHAUMREINIGER

Der Schaumreiniger wird mit einem Dorn geliefert, der in den Hochdruckreiniger eingesetzt wird. Wenn Sie keinen Dorn sehen, schauen Sie in den Schaumreinigerbehälter und befestigen Sie ihn am Hochdruckaufsatz. Wenn Sie den Schaumreiniger verwenden, füllen Sie sie mit einem geeigneten Reinigungsmittel oder Reiniger+Wasser entsprechend den Anweisungen auf dem Behälter auf.

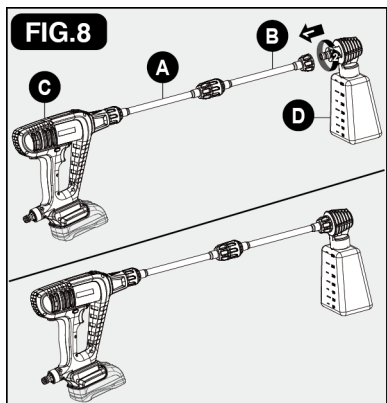
• **Verwenden Sie KEINE dickflüssigen oder gelartigen Reinigungsmittel da sie die Schaumkanone verstopfen und Schäden verursachen können. Schäden verursachen können.**



Befestigen Sie den Schaumreiniger (D) am Ende der Lanze (B), indem Sie den Schaumreiniger eindrücken. Sie hören ein "Klick"-Geräusch, wenn er fest eingerastet ist.

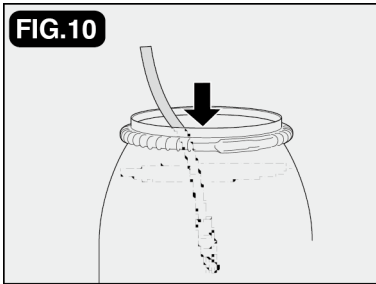
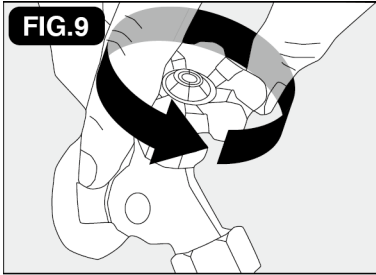
**Hinweis:** Verriegeln Sie immer den Abzug, wenn Sie den Schaumreiniger einsetzen, um sicherzustellen, dass er nicht mit Gewalt herausgeschleudert wird.

• Wenn Sie den Schaumreiniger verwenden, füllen Sie ihn mit einem richtig formulierten Reinigungsmittel oder Reiniger nach den Anweisungen auf dem dem Behälter auf.



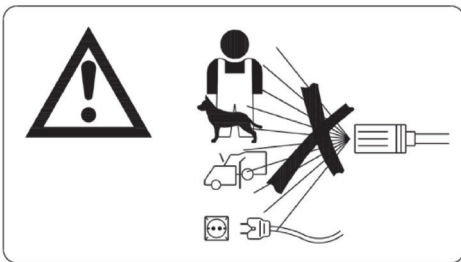
# BETRIEBSANLEITUNG

Vergewissern Sie sich, dass Sie den Sicherheitsverriegelungsknopf (J) halten, um den Abzug zu verriegeln. Drehen Sie die Wasserversorgung am Wasserhahn auf (ABB.9) oder füllen Sie den Wassertank mit so viel Wasser, dass der Wasserfilter vollständig bedeckt ist (ABB.10).

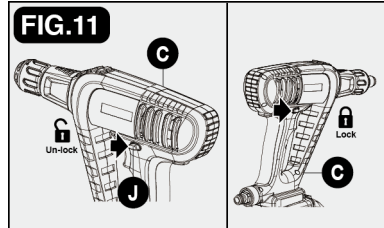


## ⚠ WARNING

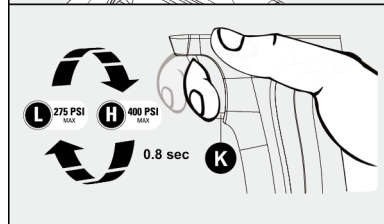
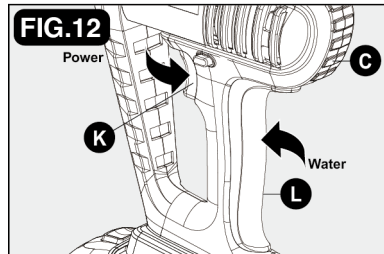
Die maximale Ansaughöhe des Hochdruck-Reinigers aus einem Wassertank beträgt 1 Meter / 3,2 Fuß.



Drücken Sie den Sicherheitsverriegelungsknopf (J) zum Entriegeln des Abzug (K). Richten Sie den Hochdruckreiniger in eine sichere Richtung, drücken Sie den Abzug (K), um drücken Sie den Schalter (L) um Wasser anzusaugen, bis ein gleichmäßiger Wasserstrahl austritt. Lassen Sie den Hochdruckreiniger laufen, bis die gesamte Luft aus dem Saugschlauch entwichen ist.

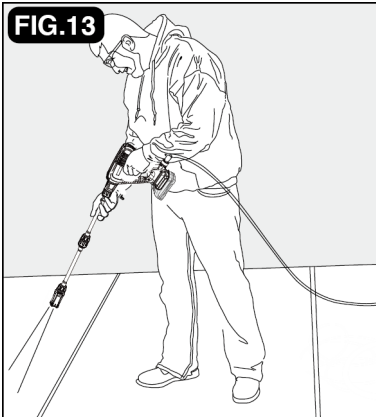


Drücken Sie die Auslöser (K) und (L) für das Wasser, um mit dem Hochdruckreinigen zu beginnen. Lassen Sie sie los, um den Hochdruckreiniger anzuhalten. Lassen Sie das Gerät vollständig zum Stillstand kommen, bevor Sie die Auslöser erneut betätigen.



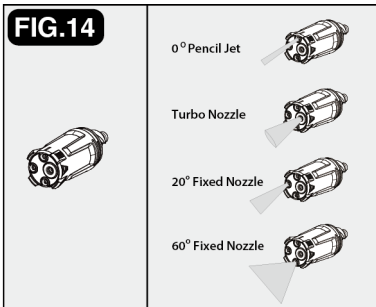
# BETRIEBSANLEITUNG

Testen Sie immer eine kleine Fläche, um das Risiko einer die Oberflächenbeschädigung zu testen.



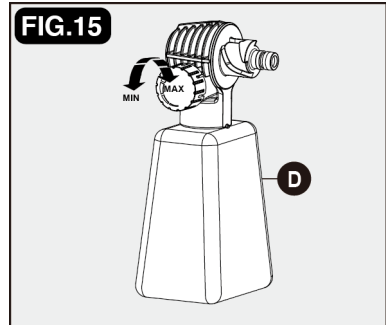
Die Maschine ist mit einer 4-in-1-Düse ausgestattet. Die Düsen sind 0°, 20°, 60° und die rotierende Turbodüse.

Um zwischen den Düsen zu wechseln, drehen Sie im Uhrzeigersinn. Um die 4-in-1-Düse von der Lanze zu entfernen, drehen Sie sie gegen den Uhrzeigersinn und nehmen Sie sie ab.



## EINSTELLUNG DER SEIFENMENGE AM SCHAUMREINIGER

Drehen Sie den Drehknopf, um die Seifenmenge einzustellen, wie wie auf der Oberseite der Schaumkanone angegeben (D). Drehen Sie in Richtung der höheren Konzentration für mehr Seife oder in die entgegengesetzte Richtung für weniger.



## WIE MAN OBERFLÄCHENBESCHÄDIGUNGEN VERMEIDET

Schäden an den zu reinigenden Oberflächen entstehen, wenn die Aufprallkraft des Wasserdrucks die Haltbarkeit der Oberfläche übersteigt. nicht geschütztes Holz kann durchdrungen werden, Farbe kann abblättern, usw. Sie können die Kraft des

Kraft Ihre Hochdruckreinigungspistole variieren, indem Sie sie einstellen:

1. Den Winkel der zu reinigenden Oberfläche.
2. Den Abstand der Düse von der zu reinigenden Oberfläche. Verwenden Sie niemals einen engen Hochdruckstrahl auf auf weichen Oberflächen, die anfällig für Beschädigungen sind.

# BENUTZUNG

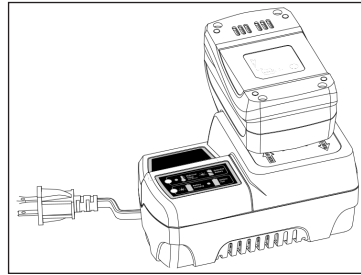
## Ladevorgang

Der Akku wird teilweise aufgeladen geliefert. Laden Sie das Ladegerät vor dem ersten Gebrauch vollständig auf, um die beste Akkuleistung zu gewährleisten. Das Aufladen eines vollständig entladenen DB-1850P-Akkus dauert bei Temperaturen von 0°C - 40°C ungefähr 50 Minuten.

1. Laden Sie den Lithium-Ionen Akku mit dem richtigen Ladegerät auf.
2. Schließen Sie das Ladegerät an die Stromversorgung an.
3. Richten Sie die hervorstehende Rippe am Akku auf die Nut im Ladegerät aus.
4. Schieben Sie den Akku in das Ladegerät
5. Das Ladegerät kommuniziert mit dem Akku, um den Zustand des Akkus zu beurteilen.

6. Die LED-Ladeanzeigen blinken während des Ladevorgangs von rechts nach links, dies ist Teil des normalen Ladevorgangs.
7. Wenn der Ladevorgang abgeschlossen ist, leuchtet die grüne LED-Anzeige weiter und die LED-Ladeanzeige leuchtet auf, wenn der Netzschalter gedrückt wird und sich der Akku im Ladegerät befindet.
8. Der Akku wird vollständig aufgeladen, wenn er im Ladegerät verbleibt, aber nicht überladen.

**HINWEIS:** Das Ladegerät kann mit den meisten Generatoren und Wechselrichtern mit einer Leistung von 300 Watt oder mehr betrieben werden.



# WARTUNG

Das Werkzeug kann mit trockener Druckluft so effizient wie möglich gereinigt werden. Tragen Sie immer eine Schutzbrille, wenn Sie Werkzeuge mit Druckluft reinigen.

Verwenden Sie beim Reinigen von Kunststoffteilen keine Lösungsmittel. Die meisten Kunststoffe können durch verschiedene Arten von handelsüblichen Lösungsmitteln und deren Verwendung beschädigt werden. Verwenden Sie saubere Lappen, um Schmutz, Staub, Öl, Fett usw. zu entfernen.

## VOR JEDER BENUTZUNG

1. Überprüfen Sie den Schlagschrauber, den Ein- / Ausschalter und das Zubehör auf Beschädigungen.
2. Überprüfen Sie, ob Teile beschädigt, fehlen oder abgenutzt sind.
3. Überprüfen Sie bewegliche Teile auf lose Schrauben, Fehlausrichtung oder Bindung oder andere Bedingungen, die den Betrieb beeinträchtigen können.

4. Wenn ungewöhnliche Geräusche oder Vibrationen auftreten, schalten Sie das Werkzeug sofort aus und beheben Sie das Problem, bevor Sie es weiter verwenden.
5. Entfernen Sie den Akku vom Schlagschrauber, bevor Sie ihn reinigen oder warten. Die Verwendung von Druckluft kann die effektivste Reinigungsmethode sein. Tragen Sie immer eine Schutzbrille, wenn Sie Werkzeuge mit Druckluft reinigen.

## SCHMIEREN

Alle Lager in diesem Werkzeug sind mit einer ausreichenden Menge an hochwertigem Schmiermittel für die Lebensdauer des Geräts unter normalen Bedingungen geschmiert. Daher ist keine zusätzliche Schmierung erforderlich.



# PFLEGE UND WARTUNG

## LAGERUNG

Wenn Ihre Reinigung abgeschlossen ist, stellen Sie die Wasserversorgung ab. Ziehen Sie den Abzug der Spritzpistole 2-3 Sekunden, um das überschüssige Wasser und den Wasserdruck abzulassen. Die Hochdruckreinigungspistole nicht laufen lassen, wenn kein Wasser durchfließt. Entfernen Sie die Lanze von der Pistole. Bewahren Sie alles in der Verpackung auf.

Vergewissern Sie sich, dass Sie das restliche Reinigungsmittel aus dem Tank zu entsorgen. Chemikalienreste bleiben am Behälter haften und können verunreinigt und dazu führen, dass die Reinigungsmittelinjektor verstopfen und nicht mehr richtig funktionieren. Spülen Sie den Behälter und den Düsenkopf mit klarem Wasser, um Verstopfungen zu vermeiden. Nehmen Sie das Akkupaket heraus. Lagern Sie die Hochdruckreinigungspistole NICHT an einem Ort, an dem sie frostigen Temperaturen ausgesetzt ist. Lagern Sie die Hochdruckreinigungspistole in einem Innenraum, um zu verhindern, dass sich das Wasser im Gerät bei Frost ausdehnt. Wenn das Wasser gefriert und sich ausdehnt, wird die Hochdruckreinigungspistole beschädigt und funktionsunfähig.

FIG.18

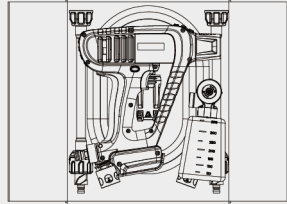
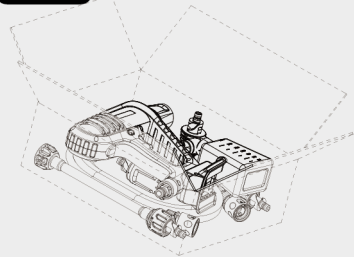


FIG.19





# ZUBEHÖR

Nein

## PANNEN-BEHEBUNG

PROBLEM	ABHILFEMASSNAHMEN
Hochdruckreinigungspistole lässt sich nicht einschalten	Prüfen Sie die Batterieladung, indem Sie die Taste neben der Betriebsanzeige drücken. Kontrollleuchte drücken. Prüfen Sie, ob die Sicherheitssperre über Ihrem Daumen gedrückt ist.
Es kommt kein Wasser aus der Düse	Vergewissern Sie sich, dass Ihre Hand gleichzeitig den Wasserabzug drückt, wenn Sie den Abzug drücken. Ein vollständiger Selbstansaugvorgang aus einem leeren Schlauch dauert im Max-Modus 30 Sekunden. Wenn der Wasserzulaufschlauch mit Leitungswasser verbunden ist, verkürzt sich die Zeit.
Die Selbstansaugung funktioniert nicht gut und das Werkzeug klingt nicht richtig	Vergewissern Sie sich, dass der Gartenschlauchadapter fest mit dem Sieb im Inneren verbunden ist. Drücken Sie die Anschlüsse an beiden Enden des Schlauchs auf den Gartenschlauchadapter und den Gartenschlauchfilter, um sicherzustellen, dass sie fest verbunden sind. Der Gartenschlauchfilter muss sich unterhalb des Wasserspiegels befinden. Prüfen Sie die Ansaughöhe ab Wasserquelle. Entfernen Sie Schlauchknicke. Reinigen Sie den Wasserfilter.
Die Selbstansaugung funktioniert nicht gut und das Werkzeug klingt nicht richtig	Vergewissern Sie sich, dass der Doppelklick des Stromauslösers innerhalb von 0,8 Sekunden erfolgt.

## UMWELTSCHUTZ



1. Werkzeug, Zubehör und Verpackung sollten für ein umweltfreundliches Recycling sortiert werden.
2. Elektrowerkzeuge und Zubehör enthalten am Ende ihrer Nutzungsdauer noch große Mengen wertvoller Rohstoffe und Kunststoffe, die auch in einen Recyclingprozess zurückgeführt werden können.
3. Bei der Arbeit entstehender Staub enthält schädliche Chemikalien, die von einer speziellen Müllrecyclingstelle gesammelt werden müssen.
4. Elektro- und Elektronik-Altgeräte, Batterien und Akkumulatoren werden in Übereinstimmung mit den einzelstaatlichen Rechtsvorschriften getrennt gesammelt und einer umweltgerechten Recyclinganlage zugeführt.

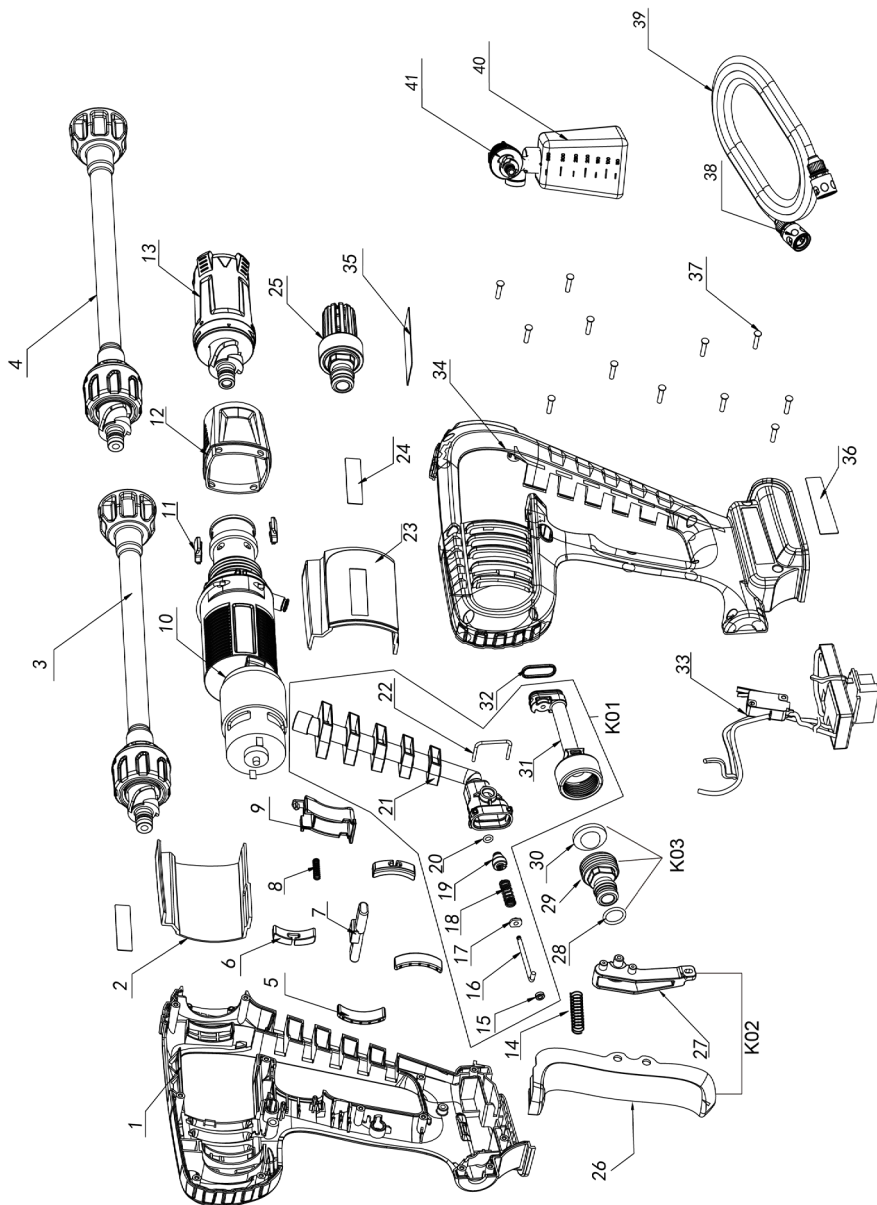
### BEDIENUNG

1. Wenden Sie sich bei Garantie, Reparatur oder Kauf von Ersatzteilen immer an ein autorisiertes Servicecenter. Bringen Sie die Servicekarte und die Rechnung mit.
2. Die Garantie gilt nicht für normalen Verschleiß, Überlastung oder abnormale Verwendung des Produkts.



# Schnurlose Hochdruckreinigungspistole

Artikelnummer : DPW-101



# Ersatzteile

## DPW-101

NO.	INDEX NO.	DESCRIPTION	D'TY
1	DPW-101T01	Right & Left housing ( 01,34)	1 SET
2	DPW-101P02	Decorative-left	1
3	DPW-101P03	Lance A	1
4	DPW-101P04	Lance B	1
5	DPW-101T05	Rubber pad for motor ( 2PCS )	1 SET
6	DPW-101T06	Rubber pad for pump head ( 2PCS )	1 SET
7	DPW-101P07	Trigger lock	1
8	DPW-101P08	Spring-small trigger	1
9	DPW-101P09	Trigger	1
10	DPW-101P10	Motor Pump Kit	1
11	DPW-101T11	Plug ( 2PCS )	1 SET
12	DPW-101P12	Decorative-front	1
13	DPW-101P13	4 in 1 nozzle	1
14	DPW-101P14	Trigger spring	1
15	DPW-101P15	O-ring Ø2.8*1.9	1
16	DPW-101P16	Gun valve-pin	1
17	DPW-101P17	core washer	1
18	DPW-101P18	Gun valve spring	1
19	DPW-101P19	Gun valve core	1
20	DPW-101P20	O-ring Ø3*1.5	1
21	DPW-101P21	Gun valve body	1
22	DPW-101P22	U-pin for gun valve	1
23	DPW-101P23	Decorative-right	1
24	DPW-101T24	Logo laber ( 2PCS )	1 SET
25	DPW-101P25	Suction connector kit	1
26	DPW-101P26	Big trigger	1
27	DPW-101P27	Trigger bracket	1
28	DPW-101P28	O-ring 11*2.5	1


NO.	INDEX NO.	DESCRIPTION	D'TY
29	DPW-101P29	Inlet connector	1
30	DPW-101P30	Water connector filter	1
31	DPW-101P31	body plug	1
32	DPW-101P32	O-ring Ø16*1.7	1
33	DPW-101P33	PCB kit	1
34	DPW-101P34	Left housing	1
35	DPW-101P35	Shift label	1
36	DPW-101P36	Name plate	1
37	DPW-101T37	Screw(ST3*14) ( 13PCS )	1 SET
38	DPW-101T38	Quick connector for slim hos ( 2PCS )	1 SET
39	DPW-101P39	Slim water inlethose kit (12mm*4M )	1
40	DPW-101P40	DETERGENT BOTTLE	1
41	DPW-101P41	foam nozzle	1
K01	DPW-101K01	Gun valve body Assembly ( 15~22,31 )	1 SET
K02	DPW-101K02	Big trigger Assembly ( 26,27 )	1 SET
K03	DPW-101K03	Inlet connector Assembly ( 28,29,30 )	1 SET

# Garantie Karte

## Begrenzte Hersteller-Garantie

**Mighty Seven International Co., LTD.** bietet eine begrenzte Garantie auf durch **Mighty Seven** hergestellte und durch die weltweit befugten Weiterverkäufer verkauften Produkte. Die begrenzte Garantie wird auf defektes Material und Verarbeitung angewendet, aber nicht bei Missbrauch, unsachgemässer Anwendung oder Ausstellungswaren. Wenn Sie ein defektes **Mighty Seven** Produkt haben, senden Sie es bitte auf Ihre Kosten zur Verkaufsstelle, mit Ihrer Adresse und Kontaktdaten. Reparaturen oder Austausch sind wie oben beschrieben Garantieleistungen; andernfalls werden Service oder Reparaturen in Rechnung gestellt.

## Bitte diese Karte für Garantiefälle aufbewahren

<b>Kaufdatum</b>	<b>Modell Nr.</b>
<b>Garantieablaufdatum:</b>	<b>Seriennummer</b>
<b>Händlerstempel</b>	
	

Kaufdatum:	Modell Nr.:
Garantieablaufdatum:	Seriennummer:
Name:	
Name der Firma:	
Adresse:	
Tel:	Fax:
E-Mail:	
<b>Geschäftsart:</b>	
<input type="checkbox"/> Landwirtschaft	<input type="checkbox"/> Lack & Karosserie Reparatur
<input type="checkbox"/> Allgemeine Autoreparatur	<input type="checkbox"/> Öffentliche Arbeit / Regierungs-Dienstprogramme
<input type="checkbox"/> Reifen	<input type="checkbox"/> Fabrik
<input type="checkbox"/> Lkw-Wartung / Reparatur	<input type="checkbox"/> Heimgebrauch
<input type="checkbox"/> Autohersteller	<input type="checkbox"/> Andere

# NORMAS GENERALES DE SEGURIDAD

## USO NO PREVISTO

Esta pistola de lavado a presión está diseñada para limpiar barcos, coches, terrazas, entradas de vehículos, parrillas, revestimientos de casas, motocicletas, patios y muebles de exterior. Este aparato no está diseñado para ser utilizado por personas (incluidos niños) con capacidades físicas, sensoriales o mentales reducidas, o con falta de experiencia y conocimientos, a menos que hayan recibido supervisión o instrucciones sobre el uso del aparato por parte de una persona responsable de su seguridad.

1. Los niños deben ser supervisados para asegurarse de que no jueguen con el aparato.
2. La limpieza y el mantenimiento del usuario no deben ser realizados por niños sin supervisión.
3. El líquido no debe dirigirse hacia equipos que contengan componentes eléctricos (como el interior de los hornos).
4. Deben utilizarse los juegos de mangueras nuevos suministrados con el aparato y no reutilizar los viejos.
5. El aparato no se dejará desatendido mientras esté conectado al paquete de baterías.
6. El aparato no debe utilizarse si se ha caído, si presenta signos visibles de daños o si tiene fugas.
7. Mantenga el aparato fuera del alcance de los niños cuando esté encendido o enfriándose.

## INSTRUCCIONES INICIALES



### ADVERTENCIA

#### Lea todas las instrucciones.

Si no se observan las siguientes precauciones de seguridad, se pueden producir descargas eléctricas, incendios y/o lesiones personales graves.

#### GUARDE ESTAS INSTRUCCIONES

El término "herramienta de batería" en todas las siguientes advertencias se refiere a su herramienta eléctrica alimentada por la red eléctrica (con cable) o por batería (sin cable).

## SEGURIDAD EN EL ÁREA DE TRABAJO

1. Mantenga su área de trabajo limpia y bien iluminada. Las zonas desordenadas u oscuras presentan un riesgo de accidentes.
2. No utilice nunca herramientas de batería en entornos explosivos, por ejemplo, en presencia de líquidos, gases o polvos inflamables. Las herramientas de batería crean chispas que pueden encender el polvo o el humo.
3. Nunca permita que los niños u otras personas se acerquen a la herramienta de batería mientras está en uso. Cualquier distracción puede causar la pérdida de control de la unidad.

## SEGURIDAD ELÉCTRICA

1. Los enchufes de las herramientas de batería deben coincidir con la toma de corriente. Nunca modifique el enchufe de ninguna manera. No utilice enchufes adaptadores con herramientas eléctricas con conexión a tierra. Los enchufes no modificados y las tomas de corriente correspondientes reducirán el riesgo de descargas eléctricas.
2. Evitar el contacto del cuerpo con superficies conectadas a tierra o a la masa como tuberías, radiadores, hornos o refrigeradores. El riesgo de descarga eléctrica aumenta cuando el cuerpo está conectado a tierra.
3. No exponga las herramientas de batería a la lluvia o a la humedad. La penetración de agua en un aparato eléctrico aumenta el riesgo de descarga eléctrica.
4. No manipule mal el cable. No lleve la herramienta por el cable. Desconecte el cable de la corriente sólo tirando del enchufe. Proteja el cable del aceite, el calor, los bordes afilados y las partes móviles. Un cable dañado o enredado aumenta el riesgo de una descarga eléctrica.
5. Para el trabajo en el exterior, use sólo cables de extensión aprobados para este fin. El uso de un cable de extensión compatible para uso en exteriores reduce el riesgo de descargas eléctricas.
6. Si es inevitable utilizar la herramienta de batería en un lugar húmedo, utilice un Interruptor de Circuito de Falla a Tierra (RCD). El uso de un RCD reduce el riesgo de una descarga eléctrica.

# NORMAS GENERALES DE SEGURIDAD

## SEGURIDAD DE LAS PERSONAS

1. Tenga cuidado. Preste atención con lo que está haciendo y trabaje con calma y reflexión con una herramienta de batería. No utilice el aparato si está cansado, si no está concentrado o si su capacidad de reacción se ve afectada por la ingestión de drogas, alcohol o medicamentos. Un descuido durante el uso de una herramienta de batería puede causar lesiones graves. . .
2. Lleve ropa, equipo de protección individual y siempre gafas de seguridad. El uso de ropa y equipo de protección individual, como una máscara respiratoria, zapatos antideslizantes, cascos o protecciones acústicas, reduce el riesgo de lesiones.
3. Evite el encendido involuntario. Asegúrese de que la herramienta de batería esté en la posición "OFF" antes de insertar el enchufe en la toma de corriente y/o antes de conectar la batería. Llevar el aparato con el dedo en el interruptor o enchufarlo mientras está encendido puede causar accidentes.
4. Mantenga todas las herramientas y llaves alejadas del aparato antes de encenderlo. Una herramienta o una llave en una parte móvil del aparato puede causar lesiones.
5. Evite cualquier posición anormal del cuerpo. Encuentre una posición segura y mantenga el equilibrio en todo momento. Esto le dará un mejor control del aparato eléctrico en caso de una situación inesperada.
6. Use ropa adecuada. No use ropa suelta o joyas. Mantenga el pelo, la ropa y los guantes alejados de las partes móviles. La ropa suelta, las joyas y el pelo largo pueden quedar atrapados en las partes móviles.
7. Si instala dispositivos de extracción y recolección de polvo, asegúrese de que estén bien sujetos y se utilicen adecuadamente. El uso de estos dispositivos reduce los riesgos debidos al polvo.
8. No permita que la familiaridad adquirida por el uso frecuente de las herramientas le permita volverse descuidado e ignorar los principios de seguridad de las mismas. Una acción descuidada puede causar lesiones graves en una fracción de segundo.

## FUNCIONAMIENTO Y MANTENIMIENTO DE LA HERRAMIENTA DE BATERÍA

1. No sobrecargue el aparato. Utilice la herramienta de batería adecuada para el trabajo. Trabajará mejor y más seguro en el campo de trabajo indicado utilizando la herramienta apropiada.
2. No utilice herramientas de batería con interruptores defectuosos. Una herramienta de batería cuyo interruptor ya no funciona es peligrosa y debe ser reparada.
3. Retire el enchufe de alimentación y/o las baterías de la herramienta antes de hacer ajustes, antes de cambiar accesorios o antes de guardar el aparato. Esta medida de precaución evita que la herramientas de batería inadvertidamente.
4. Mantenga las herramientas de batería no utilizadas fuera del alcance de los niños. Impedir el uso del aparato a personas que no estén familiarizadas con él o que no hayan leído estas instrucciones. Las herramientas electroportátiles son peligrosas si son usadas por personas inexpertas.
5. Mantenga cuidadosamente la herramienta de batería. Compruebe que las piezas móviles estén alineadas y no se peguen, y que no haya piezas rotas o dañadas en la medida en que afecten al funcionamiento de la herramienta. Haga reparar cualquier parte dañada antes de usarla. Muchos accidentes se deben al mal mantenimiento de las herramientas de batería.
6. Afíle sus herramientas de corte y límpielas. Las herramientas de corte con bordes afilados se atascan menos y son más fáciles de guiar.
7. Utilice la herramienta de batería, los accesorios, las cuchillas, etc. , según sea necesario, de acuerdo con estas instrucciones y en la forma detallada para este tipo de aparatos. Tener en cuenta las condiciones de trabajo y las actividades realizadas. El uso de herramienta de batería para aplicaciones distintas a las previstas puede conducir a situaciones peligrosas.
8. Mantenga las empuñaduras y las superficies de agarre secas, limpias y libres de aceite y grasa. Las empuñaduras y superficies de agarre resbaladizas no permiten un manejo y control seguro de la herramienta en situaciones inesperadas. Las previstas podrían dar lugar a una situación de peligro.

# NORMAS GENERALES DE SEGURIDAD

## UTILIZACIÓN Y MANTENIMIENTO DE LA HERRAMIENTA CON BATERÍA

1. Cargue la batería recargable sólo en los cargadores recomendados por el fabricante. El cargador destinado a un determinado tipo de batería presenta un riesgo de incendio cuando se utiliza con un tipo de batería diferente.
2. Utilice únicamente las baterías destinadas a este fin en las herramientas de batería. El uso de otras baterías puede causar accidentes y presenta un riesgo de incendio.
3. Cuando la batería no esté en uso, manténgala alejada de objetos metálicos, como clips, monedas, llaves, clavos, tornillos u otros pequeños objetos metálicos que puedan establecer una conexión de un terminal a otro. Un cortocircuito entre los terminales de la batería puede causar quemaduras o fuego.
4. En condiciones abusivas, un líquido puede ser expulsado de la batería; evite el contacto. En caso de contacto accidental, enjuague con agua. Si el líquido entra en contacto con los ojos, consulte también a un médico. El líquido expulsado de la batería puede causar irritación o quemaduras.
5. No utilice una batería o herramienta que esté dañada o modificada. Las baterías dañadas o modificadas pueden tener un comportamiento imprevisible que provoque un incendio, una explosión o un riesgo de lesiones.
6. No exponga una batería o herramienta al fuego o a una temperatura excesiva. La exposición al fuego o a una temperatura superior a 130 °C puede provocar una explosión (temperatura "265 °F").
7. Siga todas las instrucciones de carga y no cargue el paquete de baterías o la herramienta fuera del rango de temperatura especificado en las instrucciones. La carga inadecuada o a temperaturas fuera del rango especificado puede dañar la batería y aumentar el riesgo de incendio.

## SERVICIO

1. Haga que su herramienta de batería sea reparada por un técnico cualificado utilizando sólo piezas de recambio idénticas. Esto asegurará que se mantenga la seguridad de la herramienta de batería.
2. Nunca repare las baterías dañadas. El mantenimiento de las baterías debe ser realizado únicamente por el fabricante o por proveedores de servicios autorizados.

# INSTRUCCIONES DE SEGURIDAD

Lea y comprenda este manual en su totalidad antes de intentar montar y utilizar el producto. Conserve este manual para futuras consultas. Este manual contiene información relacionada con la PROTECCIÓN DE LA SEGURIDAD PERSONAL y la PREVENCIÓN DE PROBLEMAS DEL EQUIPO. Es muy importante leer detenidamente este manual y comprenderlo en su totalidad antes de utilizar el producto. Los símbolos que aparecen a continuación se utilizan para indicar esta información.

## PELIGRO

Peligro potencial que puede provocar lesiones graves o la muerte.

## ADVERTENCIA

Peligro que puede provocar lesiones graves o la muerte.

## PRECAUCIÓN

Peligro potencial que puede provocar lesiones moderadas o daños en el equipo.

**ADVERTENCIA:** La palabra "ADVERTENCIA" se utiliza para informar al lector de algo que el operario debe saber sobre la herramienta.

## ADVERTENCIA

Lea todas las advertencias e instrucciones de seguridad. El incumplimiento de las advertencias e instrucciones puede provocar descargas eléctricas, incendios y/o lesiones graves.

1. Antes de instalar este producto, deben leerse y comprenderse completamente las instrucciones de instalación. Las instrucciones de instalación deben leerse para evitar lesiones personales y daños materiales. Conserve estas instrucciones de instalación en un lugar de fácil acceso para futuras consultas.
2. Este kit contiene piezas pequeñas que pueden suponer un riesgo de asfixia en caso de ingestión.
3. Advertencia - Al utilizar este producto, deben seguirse siempre las precauciones básicas, incluidas las siguientes:
4. Lea todas las instrucciones antes de utilizar el producto.
5. Sepa cómo detener el producto y purgar las presiones rápidamente. Familiarícese a fondo con los controles.
6. Mantenga el área de operación libre de personas.
7. No se estire demasiado ni se apoye en soportes inestables. Mantenga un buen apoyo y equilibrio en todo momento.
8. Siga las instrucciones de mantenimiento especificadas en el manual.
9. Para evitar lesiones personales y/o daños a la propiedad y para maximizar su experiencia con la limpiadora eléctrica, siga cuidadosamente todos los consejos de seguridad, instrucciones, advertencias y medidas de protección y familiarícese con todos los controles. Asegúrese de saber cómo purgar rápidamente la presión de todas las partes de su limpiadora eléctrica y cómo apagar la limpiadora eléctrica.
10. Esta limpiadora eléctrica cumple con la CSA y otras normas de seguridad y del consumidor. No modifique ni reconstruya ninguna pieza de su limpiadora eléctrica.
11. No utilice la limpiadora si se encuentra bajo los efectos del alcohol o las drogas. Utilice esta herramienta eléctrica con cuidado y sólo cuando esté atento.
12. Tenga cuidado con el equilibrio y el apoyo durante el uso de la limpiadora. Las superficies se vuelven resbaladizas cuando están mojadas y son aún más resbaladizas cuando se utiliza un detergente o limpiador.
13. Nunca utilice la limpiadora eléctrica con los pies descalzos, sandalias o zapatos abiertos.
14. Cuando utilice la limpiadora eléctrica cerca de niños, asegúrese de que estén supervisados de cerca por un adulto para evitar lesiones. Nunca deje que un niño utilice la limpiadora eléctrica.
15. Mantenga los dedos, las manos, los pies y cualquier parte del cuerpo alejados del chorro de agua a alta presión. El potente chorro puede causar ceguera o puede lesionar o romper la piel. Puede romper una ventana si está demasiado cerca cuando aprieta el gatillo de la pistola pulverizadora.
16. Utilice siempre protección ocular para evitar lesiones en los ojos cuando maneje la limpiadora eléctrica.
17. Para evitar contratiempos o lesiones, utilice SIEMPRE el bloqueo de seguridad del gatillo cuando no esté utilizando la limpiadora eléctrica aunque sólo se detenga brevemente.
18. Apunte la pistola pulverizadora en una dirección segura cuando comience una sesión de limpieza.



# INSTRUCCIONES DE SEGURIDAD

19. Advertencia- NUNCA rocíe directamente a una persona, animal, dispositivo eléctrico o a la propia unidad.
20. Cuando utilice la limpiadora eléctrica por primera vez, sujétela con las dos manos al apretar el gatillo (una mano para apretar el gatillo y la otra para estabilizar el conjunto) hasta que se acostumbre al "contragolpe" de la limpiadora eléctrica.
21. Cuando pulse el interruptor de encendido para apagar la limpiadora, es posible que quede presión de agua en el sistema. Para descargar la presión, apunte la limpiadora eléctrica en una dirección segura y apriete el gatillo.
22. Nunca pulverice líquidos inflamables.
23. Nunca utilice la limpiadora eléctrica en áreas que contengan polvo, líquidos o vapores combustibles.
24. Evite que la manguera de presión entre en contacto con objetos afilados y examínela regularmente. Sustitúyala si está dañada. Debido a la alta presión involucrada, no puede ser reparada si se corta o daña.
25. Utilice únicamente detergente específicamente formulado para limpiadoras eléctricas y siga las instrucciones de la etiqueta del detergente. El detergente para vajilla o ropa es demasiado espeso y obstruirá la boquilla del cañón de espuma.
26. Proteja los ojos, los pulmones y la piel de la exposición al detergente.
27. Advertencia-Si se realiza la conexión a un sistema de agua potable, el sistema debe estar protegido contra el reflujó.
28. Nunca utilice agua caliente con su limpiadora eléctrica. Se sobrecalentará y dañará la bomba de alta presión.
29. Nunca deje la limpiadora sin supervisión mientras esté encendida.
30. Abra siempre el suministro de agua antes de encender la limpiadora eléctrica. Hacer funcionar la bomba en seco causará daños a los componentes internos.
31. Nunca utilice un suministro de agua para su limpiadora que supere los 150 PSI como máximo.
32. Nunca desconecte la manguera de alta presión de la limpiadora mientras el sistema se esté presurizando.
33. Nunca enganche permanentemente el mecanismo del gatillo de la limpiadora eléctrica.
34. Nunca haga funcionar la limpiadora eléctrica a menos que todos los componentes estén conectados de forma correcta y segura.
35. Nunca deje que la bomba de la limpiadora funcione durante más de un minuto después de haber cerrado el suministro de agua. Esto puede hacer que el motor y la bomba se sobrecalienten y fallen.
36. Nunca utilice lanzas u otras piezas que no sean compatibles para este producto específico.
37. Nunca rocíe ningún enchufe eléctrico con su limpiadora eléctrica.
38. Manténgase alerta: vigile lo que hace.

## PRECAUCIÓN

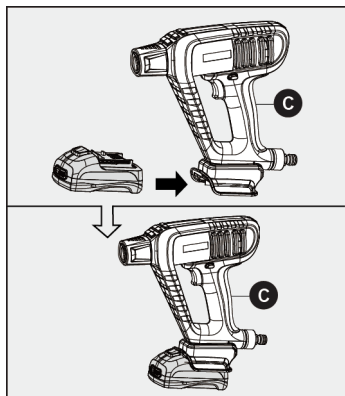
Guarde la limpiadora en un lugar cerrado para evitar que el agua de la unidad se expanda en condiciones de congelación. Si el agua se congela y se expande, la limpiadora se dañará y dejará de funcionar.

## ADVERTENCIA

Este producto puede exponerle a sustancias químicas incluyendo plomo, ftalato o bisfenol A que son conocidos por el estado de California por causar cáncer, defectos de nacimiento u otros daños reproductivos. Lávese las manos después de su uso. Para obtener más información, visite [www.P65Warnings.ca.gov](http://www.P65Warnings.ca.gov)

# INSTRUCCIONES DE SEGURIDAD

## BATERÍA NO INCLUIDA EN LA UNIDAD



- No manipule la limpiadora eléctrica, el cargador el enchufe del cargador ni los terminales del cargador con las manos mojadas.
- Apague todos los controles antes de retirar el paquete de baterías.
- Apague la limpiadora eléctrica y retire el paquete de baterías antes de conectar la manguera u otros accesorios.
- Evitar el arranque involuntario. Asegúrese de que el interruptor esté en la posición de apagado al conectar la batería, coger o transportar la limpiadora. Transporte la limpiadora con el dedo en el interruptor.
- Desconecte la batería de la limpiadora eléctrica antes de realizar ajustes, cambiar accesorios o almacenar la limpiadora. Estas medidas de seguridad preventivas reducen el riesgo de poner en marcha la limpiadora accidentalmente.
- Recargue sólo con el cargador especificado por el fabricante. Un cargador adaptado a un tipo de batería puede crear riesgo de incendio si se utiliza con otro tipo de batería.
- Utilice la limpiadora sólo con las baterías específicamente diseñadas. El uso de batería puede crear un riesgo de lesiones e incendio.
- Cuando la batería no esté en uso, manténgala alejada de otros objetos metálicos, como clips, monedas,

llaves, clavos, tornillos u otros objetos metálicos pequeños que puedan hacer una conexión de un terminal a otro. Un cortocircuito entre los terminales de la batería puede provocar quemaduras o un incendio.

- En condiciones extremas, puede salir líquido de la batería; evite el contacto. En caso de contacto accidental, enjuague con agua. Si el líquido entra en contacto con los ojos, pida ayuda a un médico. El líquido expulsado de la batería puede causar irritación o quemaduras.
- No utilice baterías o limpiadores que estén dañados o modificados. Las baterías dañadas o modificadas pueden tener un comportamiento impredecible y provocar incendio, explosión o riesgo de lesiones.
- No exponga la batería ni el limpiador al fuego o a una temperatura excesiva. La exposición al fuego o a temperaturas superiores a 100°C (212°F) puede provocar una explosión.
- Siga todas las instrucciones de carga y no cargue la batería ni la limpiadora fuera del rango de temperatura especificado en las instrucciones. Si carga incorrectamente o a temperaturas fuera del rango especificado puede dañar la batería y aumentar el riesgo de incendio.

### PRECAUCIÓN

PARA REDUCIR EL RIESGO DE LESIONES POR PIEZAS EN MOVIMIENTO, DESCONECTE LA BATERÍA ANTES DE LIMPIARLA O REALIZAR EL MANTENIMIENTO.

### ADVERTENCIA

PARA REDUCIR EL RIESGO DE INCENDIO O EXPLOSIÓN, NO EXPONER A LA LLUVIA. GUÁRDELO EN INTERIORES.

### ADVERTENCIA

PARA REDUCIR EL RIESGO DE INCENDIO O EXPLOSIÓN, DESCONECTE LA BATERÍA ANTES DE LIMPIAR O MANTENIMIENTO.

## INSTRUCCIONES DE SEGURIDAD

- Evite almacenarlas a la luz directa del sol.
- Elimine las baterías usadas inmediatamente. deseche pilas o baterías secundarias, mantenga las pilas o baterías de diferentes sistemas electroquímicos diferentes entre sí.
- Mantenga la batería fuera del alcance de los niños y en su envase original hasta el momento de su uso.
- En caso de ingestión, no introduzca nunca las baterías en la boca, póngase en contacto con su médico.
- No cortocircuite una batería. no guarde pilas o baterías al azar en una caja o cajón donde puedan cortocircuitarse entre sí o ser cortocircuitadas por materiales conductores.
- Las baterías deben reciclarse.
- No someta las pilas ni las baterías a golpes mecánicos.
- Mantenga las pilas y baterías limpias y secas. Limpie los terminales de las pilas o baterías con un paño limpio y seco si se ensucian.
- No mantenga los elementos secundarios y las baterías en carga cuando no se utilicen.
- Cuando sea necesario, retire la batería del equipo cuando no esté en uso.
- Encargue el mantenimiento a un técnico cualificado que utilice exclusivamente piezas de repuesto idénticas. Esto garantizará la seguridad del producto.

# INSTRUCCIONES DE SEGURIDAD

El propósito de los símbolos de seguridad es atraer su atención a los posibles peligros. Los símbolos de seguridad y las explicaciones con ellos merecen su cuidadosa atención y comprensión. Los símbolos de advertencia no eliminan por sí mismos ningún peligro. Las instrucciones y advertencias que dan no sustituyen a las medidas adecuadas de prevención de accidentes.



**ADVERTENCIA**

Asegúrese de leer y entender todas las instrucciones de seguridad de este manual, incluyendo todos los símbolos de alerta de seguridad como "PELIGRO", "ADVERTENCIA" y "PRECAUCIÓN" antes de utilizar esta herramienta. Si no se siguen todas las instrucciones que se indican a continuación, se pueden producir descargas eléctricas, incendios y/o lesiones personales graves.

## SIGNIFICADO DE LOS SÍMBOLOS

 **SÍMBOLO DE ALERTA DE SEGURIDAD:** Indica PELIGRO, ADVERTENCIA O PRECAUCIÓN. Puede utilizarse junto con otros símbolos o pictogramas.

**PELIGRO** Indica una situación de peligro inminente que, si no se evita, provocará la muerte o lesiones graves.



**ADVERTENCIA** Indica una situación potencialmente peligrosa que, de no evitarse, podría provocar la muerte o lesiones graves.



**PRECAUCIÓN** Indica una situación potencialmente peligrosa que, de no evitarse, podría dar lugar a lesiones menores o moderadas.






**ADVERTENCIA**







Lea todas las advertencias de seguridad señaladas con el símbolo y todas las instrucciones.

## SÍMBOLOS DE SEGURIDAD

Es posible que en esta herramienta se utilicen algunos de los siguientes símbolos. Fíjese en ellos y aprenda lo que significan. La correcta interpretación de estos símbolos le permitirá utilizar la herramienta de forma más eficaz y segura.

Ubicación peligrosa	Précaution	Symbole
Uso de la pistola de limpieza de alta presión	Los dispositivos de descarga eléctrica pueden ser peligrosos para las personas que lleven marcapasos. Si la humedad relativa es inferior al 20%, utilice un eliminador de electricidad para evitar el riesgo de descarga eléctrica.	
Pistola de limpieza de alta presión	Protección de los ojos con cristal de seguridad	
Pistola de limpieza de alta presión	Lea atentamente el manual de instrucciones antes de proceder a la puesta en marcha, el funcionamiento, el mantenimiento o cualquier otro trabajo en la herramienta.	

# SÍMBOLOS DE SEGURIDAD

Situation Dangereuse	Precaución	Etiqueta de marcado
Pistola de limpieza de alta presión	Protección de los oídos	
Pistola de limpieza de alta presión	Los residuos de productos eléctricos no deben eliminarse con la basura normal. Por favor, recicle donde haya instalaciones para ello. Consulte a las autoridades locales o a su distribuidor para obtener información sobre reciclaje.	
Uso de la pistola de limpieza de alta presión	Evite las vibraciones y utilizar la llave en un corto período de tiempo. Debe usar guantes que absorban las vibraciones y tenga cuidado de no aflojar las partes de los guantes para evitar que se enreden con la llave.	
Uso de la pistola de limpieza de alta presión	Mangueras a la red de agua. Algunas zonas tienen restricciones contra la conexión directa al suministro público de agua potable para evitar la retroalimentación de productos químicos en el suministro de agua potable. Normalmente se permite la conexión directa a través de un depósito receptor o un desconector.	
Corriente continua	Tipo o característica de la corriente	
Velocidad sin carga	Velocidad en vacío	$n_0$
Construcción de clase II	Construcción con doble aislamiento	
Por minuto	Revoluciones, golpes, velocidad, etc., por minuto	.../min or min <sup>-1</sup>

**⚠ ADVERTENCIA** Para garantizar la seguridad y la fiabilidad, todas las reparaciones deben ser realizadas por un técnico de servicio cualificado.

# NORMAS DE SEGURIDAD ESPECÍFICAS

## ADVERTENCIAS GENERALES DE SEGURIDAD PARA HERRAMIENTA DE BATERÍA

1. Use la batería solo con el cargador citado más abajo:


BATERÍA	CARGADOR
DB-1850P	DC-18A

### ADVERTENCIA

Solo para uso con el paquete de baterías de iones de litio.

Sólo para uso con el cargador de baterías.

2. Siempre use gafas de seguridad cuando use esta herramienta.
3. Evitar vibraciones y utilizar la llave en un corto período de tiempo. Debe llevar guantes que absorban las vibraciones y tener cuidado de no desajustarse las partes de los guantes para evitar que se enreden con la llave.
4. Asegúrese de que el interruptor horario/ antihorario esté en la posición OFF antes de insertar una batería. Insertar la batería en un dispositivo de electroportátil encendido puede causar accidentes.
5. Antes de instalar los accesorios, compruebe que no estén desgastados, agrietados o dañados.
6. Las puntas, los vasos y las herramientas se calientan durante la operación. Use guantes cuando los toque.
7. Retire la batería antes de cambiar los accesorios. El arranque accidental puede ocurrir porque los dispositivos electroportátiles con una batería insertada están en un estado de funcionamiento permanente.

 **ADVERTENCIA** Determinados polvos generados por el lijado, aserrado, amolado, perforado y otras actividades de construcción contienen sustancias químicas reconocidas por el Estado de California como capaces de provocar cáncer, defectos de nacimiento u otros trastornos reproductivos.

He aquí algunos ejemplos de estas sustancias químicas:

- Plomo de pinturas con base de plomo
- Sílice cristalina de ladrillos, cemento y otros productos de albañilería
- Arsénico y cromo de la madera tratada químicamente.

Su riesgo por estas exposiciones varía en función de la frecuencia con la que realice este tipo de trabajos. Para reducir su exposición a estos productos químicos:

- Trabaje en una zona bien ventilada.
- Trabaje con equipos de seguridad homologados, como mascarillas contra el polvo especialmente diseñadas para filtrar partículas microscópicas.
- Evite el contacto prolongado con el polvo procedente del lijado mecánico, aserrado, amolado, taladrado y otras actividades de construcción. Lleve ropa protectora y lave las zonas expuestas con agua y jabón. Permitir que el polvo entre en la boca o los ojos o se deposite en la piel puede favorecer la absorción de productos químicos nocivos.

**CONSERVE ESTAS INSTRUCCIONES!**

## INSTRUCCIONES DE SEGURIDAD PARA EL CARGADOR

1. Antes de utilizar el cargador de baterías, lea todas las instrucciones y advertencias de este manual y sobre el cargador, la batería y el producto de la batería para evitar un mal uso y posibles lesiones o daños.

### PRECAUCIÓN

Para reducir el riesgo de descargas eléctricas o daños en el cargador y la batería, cargue sólo las baterías de iones de litio marcadas específicamente en el cargador. Otros tipos de

batería pueden explotar, causando lesiones o daños.

2. No utilice el cargador al aire libre o en condiciones de humedad. Si el agua entra en el cargador, el riesgo de una descarga eléctrica aumenta.
3. El uso de un accesorio no recomendado o vendido por el fabricante del cargador puede causar un riesgo de incendio, descarga eléctrica o lesiones.

4. No manipule mal el cable o el cargador.  
Nunca lleve el cargador por el cable. Nunca desconecte la herramienta de la red eléctrica tirando del cable. Esto podría dañar el cable o el cargador y crear un riesgo de descarga eléctrica. Reemplace cualquier cable dañado inmediatamente.
5. Asegúrese de que el cordón se coloca en un lugar seguro para que nadie pueda pisarlo o tropezar con él, y que no esté sujeto a daños o tensiones de ninguna otra manera. Esto reducirá el riesgo de caídas accidentales que podrían causar lesiones y dañar el cable, creando un riesgo de choque.
6. Proteja el cable y el cargador del calor para evitar que se dañen la carcasa y las piezas internas.
7. Proteja las partes plásticas de la gasolina, del aceite, de los productos petrolíferos, etc.. Estos materiales contienen sustancias químicas que pueden dañar, debilitar o destruir el plástico.
8. Sólo use un cable de extensión si es absolutamente necesario. El uso de un cable de extensión inadecuado puede suponer un riesgo de incendio, descarga eléctrica o electrocución. Si se va a utilizar un cable de extensión, asegúrese de que:
 

El enchufe del cable tiene el mismo número de clavijas que el del cargador y que las clavijas tienen la misma forma y tamaño.

El cordón esté bien cableado y en buenas condiciones.

El tamaño es lo suficientemente grande para la corriente nominal del cargador como se especifica a continuación:

Longitud del cable (pies)    25'   50'   100'

Tamaño del cable (AWG)    **16 (AWG)**

**NOTE: AWG = Calibre de cable americano**
9. No utilice el cargador con un cable de alimentación o un enchufe dañados, ya que existe riesgo de cortocircuito y descarga eléctrica. Si el cargador está dañado, hágalo reparar por un técnico autorizado en **m7**.
10. No utilice el cargador si ha recibido un golpe fuerte, se ha caído o ha sufrido algún otro daño. Lleve el cargador a un técnico autorizado para que realice una comprobación eléctrica y determine si está en buen estado de funcionamiento.
11. No desmonte el cargador. Llévelo a un técnico autorizado **m7** para su mantenimiento o reparación. Un cargador mal montado puede provocar riesgo de descarga eléctrica, electrocución o incendio.
12. Desenchufe el cargador de la red eléctrica antes de limpiarlo o repararlo. Esto reducirá el riesgo de descarga eléctrica.
13. Desconecte el cargador de la red eléctrica cuando no lo utilice. Esto reducirá el riesgo de descarga eléctrica y daños en el cargador si caen objetos metálicos en la abertura. También evitará daños en caso de una subida de tensión.
14. Riesgo de descarga eléctrica. No toque la parte no aislada del conector de salida ni el terminal no aislado de la batería.
15. Conserve estas instrucciones en un lugar seguro. Consúltelas con frecuencia y utilícelas para informar a otros usuarios de esta herramienta. Si presta esta herramienta a otra persona, préstele también estas instrucciones para evitar un mal uso del producto y posibles lesiones.

## INFORMACIÓN GENERAL

El número de serie del Mighty Seven se compone del año en la 2ª/3ª cifra y del mes indicado por la 4ª/5ª cifra.

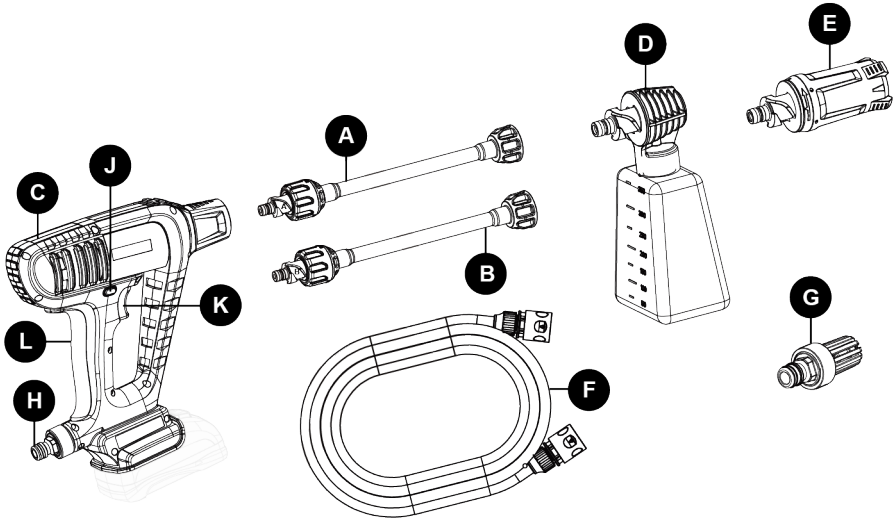
## INSTRUCCIONES DE USO

### INSTRUCCIONES DE USO



Esta pistola de lavado a presión está diseñada para limpiar barcos, coches, terrazas, entradas de vehículos, parrillas, revestimientos de casas, motocicletas, patios y muebles de exterior.

#### 1. Piezas principales del DPW-101



PARTE	DESCRIPCIÓN	CANTIDAD
A	Lanza A	1
B	Lanza B	1
C	Pistola de agua inalámbrica	1
D	Cañón de espuma de alta presión	1
E	Boquilla 4en1	1
F	Kit de manguera de aspiración de agua de 13	1
G	Filtro de agua	1
H	Adaptador para manguera	1
J	Botón de bloqueo de seguridad	1
K	Disparador de potencia	1
L	Disparador de agua	1



## CARACTERÍSTICAS

<b>Modelo</b>	DPW-101
<b>Flujo</b>	2.8L/min
<b>Longitud de la manguera</b>	4M
<b>Presión máxima</b>	2,5 MPa / 360 PSI / 25bar
<b>Batería de iones de litio</b>	Li-ion 5,0 Ah
<b>Tensión nominal</b>	18V
<b>Completamente cargado</b>	20V
<b>Longitud de la herramienta</b>	876 mm
<b>Peso (kg)</b>	1.72 kg
<b>Presión del agua de entrada</b>	0,5 MPa MÁX.

AVISO: Debido al continuo programa de desarrollo de , las especificaciones contenidas en este manual son sólo para información general y no son vinculantes. Nos reservamos el derecho a realizar cambios en cualquier momento y sin previo aviso en las piezas, equipos y accesorios que se consideren necesarios por cualquier motivo.





**DPW-101 : Probado sin carga por suspensión**

Measure du niveau de pression acoustique pondéré A :  $L_{pA} = 69$  dB,  $K_{pA}$  d'incertitude = 3 dB

Niveau de puissance acoustique pondéré A en cours de calcul :  $L_{WA} = 77$  dB,  $K_{WA}$  d'incertitude = 3 dB

Niveau de vibration ( $m/s^2$ ) :  $0.2$   $m/s^2$ , incertitude K =  $1,5$   $m/s^2$

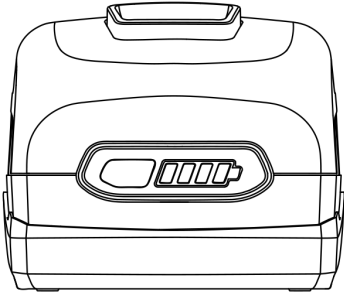
## 1. Las funciones LED del cargador

Indicador LED	Paquete de baterías	LED rojo	LED verde	ACCIÓN	
Problema de temperatura (ver manual)		Batería fría/ caliente	Encendido	Apagado	El proceso de carga empezará una vez que la temperatura esté entre 5°C y 40°C.
Batería defectuosa		Defectuosa	Parpadeando	Apagado	El paquete de batería o el cargador está defectuoso
Batería cargando		Cargando	Apagado	Parpadeando	Cargando
Batería cargada		Cargada	Apagado	Encendido	La carga está completa

## 2. Indicador de carga

Este paquete de baterías de iones de litio está equipado con un indicador de carga que indica la carga restante de la batería. Presione el botón del indicador de carga para que aparezcan los indicadores LED. Estos indicadores permanecerán encendidos durante unos 4 segundos.

**Atención:** El indicador de carga puede utilizarse tanto si el paquete de batería está conectado a la herramienta como si no.

	● ● ● ●	80-100% de la carga
	● ● ● ○	60-79% de la carga
	● ● ○ ○	40-59% de la carga
	● ○ ○ ○	20-39% de la carga
	● × ○ ○ ○	Menos del 20% de la carga
	● × ● × ● × ● × ● ×	Completamente descargado
● × ○ × ● × ○	Problema de temperatura	

## 3. INDICADOR DE CARGA BAJA

- Si los LED del indicador de carga parpadean con rapidez y continuamente cuando el gatillo está apretado, el paquete de baterías está descargado y necesita recargarse.
- A diferencia de otros tipos de paquete de baterías, los paquetes de baterías de iones de litio proporcionan una energía constante y sostenida durante toda la vida útil de la batería. Esta herramienta no perderá gradualmente la potencia a medida que trabaje. Para indicar que el paquete de baterías está cerca del final de su tiempo de carga, la alimentación hacia la herramienta se detendrá rápidamente. Los cuatro LED del indicador de carga parpadearán cuando la batería esté completamente descargada. Cuando esto ocurra, retire la herramienta de la pieza de trabajo y recargue el paquete de batería si es necesario.

**Atención:** Los indicadores LED de carga pueden parpadear en caso de sobrecarga o altas temperaturas.

## 4. CUÁNDO CARGAR EL PAQUETE DE BATERÍAS



Será necesario recargar el bloque de baterías antes de usarlo.

Ponga el paquete de baterías en el cargador para reiniciarlo cuando la batería esté protegida. El paquete de baterías de iones de litio puede ser recargado en cualquier momento sin ningún efecto de "memoria" cuando se recarga después de una descarga parcial. No es necesario descargar la batería antes de recargarla.

Retire el paquete de baterías de la herramienta a su conveniencia.

- Utilice el indicador de carga para determinar cuándo debe recargar el paquete de baterías.
- Puede "controlar" la carga de la batería antes de empezar un trabajo grande o un largo período de uso.

## 5. RECOMENDACIONES DE ALMACENAMIENTO

- El lugar ideal de almacenamiento es un lugar fresco y seco, protegido de la luz solar directa y de la temperatura excesiva, No supere los 40°C.
- Para un almacenamiento prolongado, se recomienda almacenar la batería completamente cargada en un lugar fresco y seco, fuera del cargador para optimizar los resultados.

# MONTAJE

## ADVERTENCIA

Si una pieza está rota o falta, NO intente conectar la batería ni utilizar la herramienta hasta que la pieza rota o faltante haya sido sustituida, ya que podría causar lesiones graves.

## ADVERTENCIA

No intente modificar esta herramienta ni crear accesorios no recomendados para su uso con esta herramienta. Cualquier alteración o modificación de este tipo constituye un uso indebido y podría provocar una situación peligrosa con resultado de lesiones graves.

## ADVERTENCIA

Su herramienta nunca debe estar conectada a la batería cuando esté montando piezas, realizando ajustes, instalando o retirando cuchillas, limpiando o cuando no esté en uso. Desenchufar la herramienta evitará un arranque accidental, que podría causar lesiones graves.

## CONTENIDO

En el embalaje

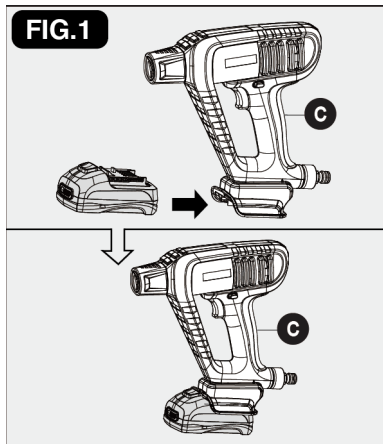
## DESEMBALAJE

1. Saque con cuidado la herramienta y todos los accesorios de la caja de cartón. Asegúrese de que se incluyen todos los elementos enumerados en la lista de embalaje.
2. Inspeccione cuidadosamente la herramienta para asegurarse de que no se ha producido ninguna rotura o daño durante el transporte.
3. No deseche el material de embalaje hasta que haya inspeccionado y utilizado la herramienta de forma satisfactoria.

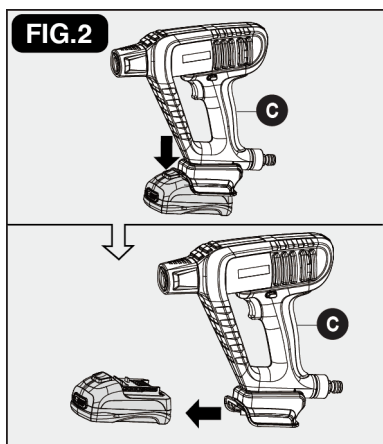
# INSTRUCCIONES DE MONTAJE

## INSTALACIÓN Y EXTRACCIÓN DE LA BATERÍA

Para insertar la batería, deslícela en el compartimento hasta que encaje en su sitio (FIG.1).

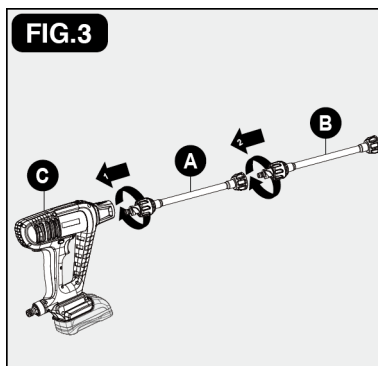


Para extraer la batería, presione el pestillo y sáquela del compartimento de la batería (FIG.2).



## INSTALACIÓN DE LA LANZA DE EXTENSIÓN Y LA BOQUILLA

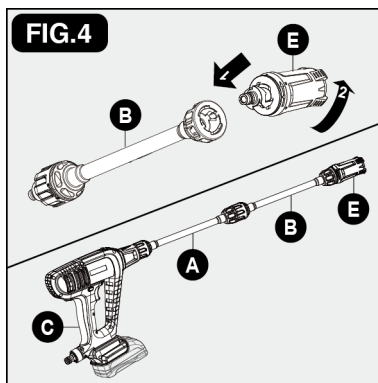
Mientras la limpiadora eléctrica inalámbrica (C) está en posición de bloqueo, inserte la lanza (A) en el extremo de la limpiadora eléctrica girando en el sentido de las agujas del reloj hasta que esté completamente colocada e inserte la lanza (B) en la lanza (A). Para extraerla, gire en sentido contrario a las agujas del reloj.



Coloque la boquilla 4 en 1 (E) en el extremo de la lanza

(B) presionando y girando en sentido de las agujas del reloj. Para desmontarla, gírela en sentido contrario a las agujas del reloj.

**Aviso:** Pulse siempre el botón de bloqueo de seguridad para bloquear el gatillo al cambiar las lanzas y boquillas para asegurarse de que no expulsen accidentalmente con fuerza durante esta operación.



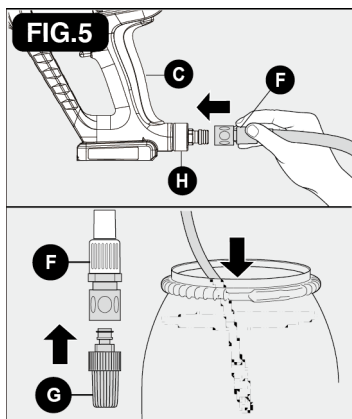
# INSTRUCCIONES DE MONTAJE

## CONEXIÓN AL SUMINISTRO DE AGUA

Conecte el kit de manguera de aspiración de agua (F) al adaptador de manguera (H). Conecte el filtro (G) al kit de manguera (F).

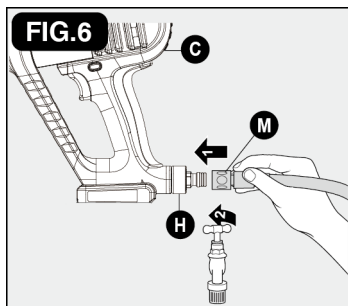
Aviso: Enjuague la manguera de jardín antes de conectarla al adaptador.

La limpiadora puede funcionar con agua tanque u otras fuentes. Siempre introduzca agua limpia. Utilice siempre el kit de aspiración de agua (F) y limpie el filtro (G) con regularidad (FIG.5).



El limpiador eléctrico también puede funcionar con agua del grifo. El adaptador (M) a la manguera de jardín se incluye en la caja (FIG.6).

Coloque siempre un filtro de agua entre el adaptador manguera y el grifo para evitar daños en la limpiadora.

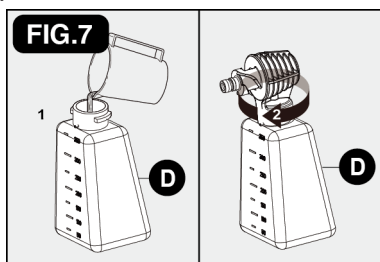


Ya ha completado el montaje y está listo para empezar a utilizar su limpiadora eléctrica. Lea y observe todas las instrucciones de seguridad.

## INSTALACIÓN DEL CAÑÓN DE ESPUMA

El cañón de espuma viene con una pajita que se coloca en la parte superior de alta presión. Si no ve la pajita, mire dentro del cañón de espuma y acóplela a la parte superior de alta presión. Cuando utilice el cañón de espuma, llénelo con un detergente o limpiador formulado adecuadamente con una proporción de agua de acuerdo con las instrucciones del envase.

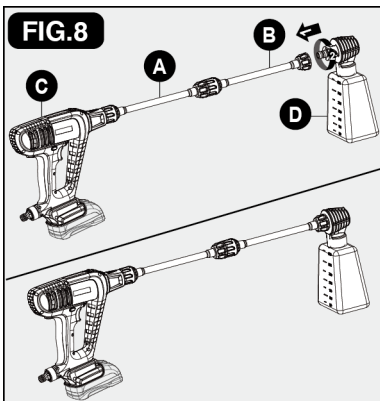
• **NO utilice detergentes espesos o gelatinosos, ya que obstruirán el cañón de espuma y pueden causar daños.**



Coloque el cañón de espuma (D) en el extremo de la lanza (B) presionando el cañón en su lugar. Hará un sonido de "clic" cuando esté firmemente en su sitio.

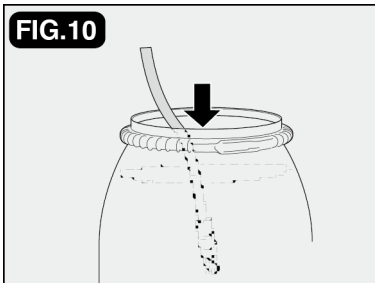
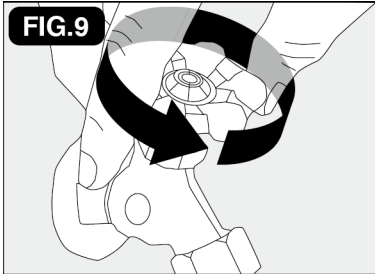
**Aviso:** Bloquee siempre los gatillos cuando cambie el cañón de espuma para asegurarse de que no salga despedido con fuerza.

• Cuando utilice el cañón de espuma, llénelo con un detergente o limpiador adecuadamente formulado con agua según las instrucciones del envase.



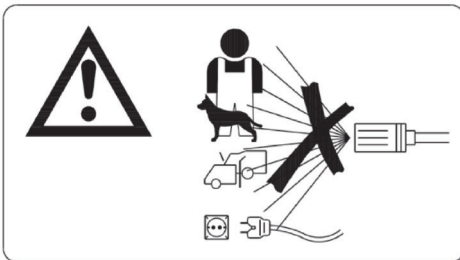
# INSTRUCCIONES DE USO

Asegúrese de accionar el botón de bloqueo de seguridad (J) para bloquear el gatillo. Abra el suministro de agua en el grifo (FIG.9) o llene el depósito de agua con agua suficiente para cubrir completamente el filtro de agua (FIG.10).

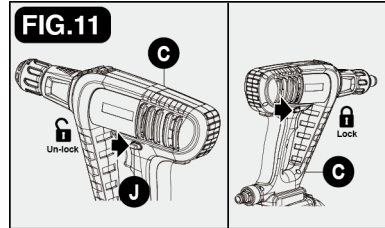


## ⚠ WARNING

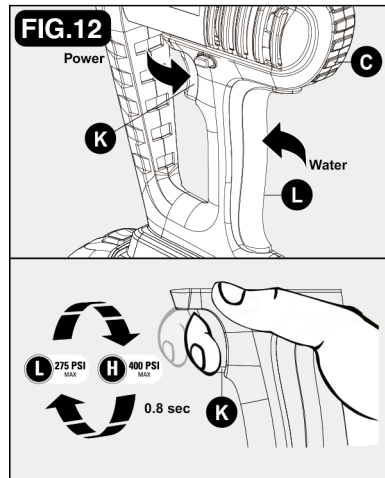
La altura máxima de aspiración de la limpiadora desde un depósito de agua es de 1 metro.



Pulse el botón de bloqueo de seguridad (J) para desbloquear el gatillo (K). Apunte la limpiadora en una dirección segura, apriete el gatillo (K) para arrancar la limpiadora y pulse el gatillo (L) hasta que salga un chorro constante de agua. Mantenga la limpiadora en funcionamiento hasta que salga todo el aire de la manguera de aspiración.

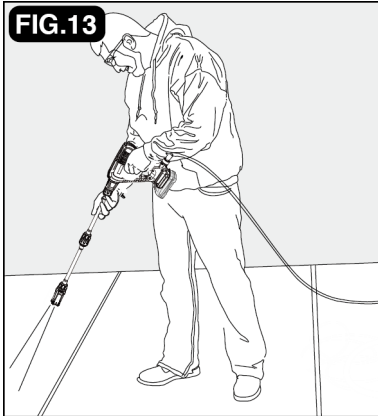


Apriete los gatillos (K) y (L) del agua para iniciar el lavado a presión. Suéltelos para detener la limpiadora a presión. Deje que el aparato se detenga por completo antes de volver a apretarlos.

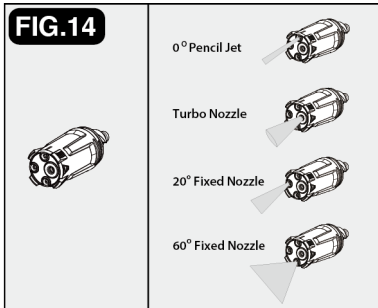


# INSTRUCCIONES DE USO

Pruebe siempre en una zona pequeña para evitar dañar la superficie.



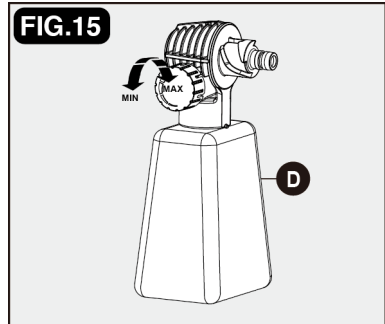
La máquina viene con boquilla 4 en 1. Las boquillas son 0°, 20°, 60° y boquilla turbo giratoria. Para cambiar de boquilla, gire en el sentido de las agujas del reloj. Para retirar la boquilla 4 en 1 de la lanza, gire en sentido contrario a las agujas del reloj.



## AJUSTE DE LOS NIVELES DE DETERGENTE EN EL CAÑÓN DE ESPUMA

Gire la perilla para ajustar el nivel de detergente como se indica en la parte superior del cañón de espuma.

(D). Gire hacia la concentración más alta de burbujas para obtener más detergente, o en la dirección opuesta para menos.



## CÓMO EVITAR DAÑOS EN LAS SUPERFICIES

Se producen daños en las superficies que se limpian porque la fuerza de impacto del agua supera la durabilidad de la superficie. La madera puede ser atravesada, la pintura puede ser arrancada, etc. Puede variar la fuerza de su limpiadora eléctrica controlando:

1. El ángulo de la superficie que se está limpiando.
2. La distancia de la boquilla a la superficie a limpiar.

Nunca utilice un chorro estrecho de agua a alta presión sobre superficies blandas susceptibles a daños

# UTILIZACIÓN

## PROCEDIMIENTO DE RECARGA

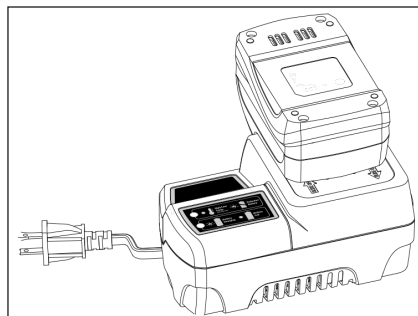
La batería se suministra parcialmente cargada. Para obtener el mejor rendimiento de la batería, cargue completamente la batería en el cargador antes del primer uso. Una batería completamente descargada tardará aproximadamente 50 minutos en recargarse en temperaturas de 0°C a 40°C.

1. Cargue el paquete de baterías de iones de litio con el cargador apropiado.
2. Conecte el cargador a la fuente de alimentación.
3. Alinee la costilla saliente del paquete de baterías con la ranura del cargador.
4. Ponga el paquete de baterías en el cargador.
5. El cargador se comunicará con la batería para evaluar su estado.
6. Los indicadores LED de carga parpadearán de la derecha a la izquierda mientras se cargan. Esto es parte del proceso de carga normal.

7. Una vez se haya completado el proceso de carga, el indicador LED verde permanecerá encendido y los indicadores LED de carga se encenderán cuando se pulse el botón de encendido y cuando la batería esté en el cargador.

8. El paquete de baterías se cargará completamente si permanece en el cargador, pero no se sobrecargará.

**ATENCIÓN:** Para su comodidad, el cargador puede funcionar con la mayoría de los generadores e inversores de 300 vatios o más.



## MANTENIMIENTO

La herramienta puede limpiarse de la manera más eficiente posible con aire comprimido seco. Siempre use gafas de seguridad cuando limpie las herramientas con aire comprimido.

Evite el uso de disolventes al limpiar piezas de plástico. La mayoría de los plásticos son susceptibles de ser dañados por diversos tipos de disolventes comerciales y pueden resultar dañados por su uso. Use paños limpios para quitar la suciedad, el polvo, el aceite, la grasa, etc.

### ANTES DE CADA USO

1. Inspeccione la lijadora, el interruptor de encendido y apagado y los accesorios para ver si están dañados.
2. Revise si hay partes dañadas, faltantes o desgastadas.
3. Compruebe si hay tornillos sueltos, desalineación o agarrotamiento de las piezas móviles, o cualquier otra condición que pueda afectar el funcionamiento.

4. Si nota alguna vibración o ruido anormal, apague la herramienta inmediatamente y corrija el problema antes de seguir usándola.

5. Retire la batería de la lijadora antes de limpiar o realizar cualquier mantenimiento. El uso de aire comprimido puede ser el método de limpieza más eficaz. Siempre use gafas de seguridad cuando limpie las herramientas con aire comprimido.

### LUBRICACIÓN

Todos los rodamientos de esta herramienta están lubricados con una cantidad suficiente de lubricante de alta calidad para la vida útil de la herramienta en condiciones normales. Por lo tanto, no se requiere una lubricación adicional.



# CUIDADO Y MANTENIMIENTO

## DETERGENTES

Utilice detergentes diseñados para limpiadoras eléctricas.

Las ferreterías o los centros del hogar también tienen detergentes para diferentes proyectos de limpieza. La solución limpiadora debe tener la consistencia del agua para evitar que se obstruya la botella de detergente y la boquilla, este sistema aplica el detergente a baja presión.

El poder de limpieza de los detergentes aumenta cuando se aplica a baja presión y tiempo suficiente para descomponer la suciedad. La combinación de baja presión y acción química es muy eficaz y puede ser mejor que fregar si se aplica correctamente.

Siempre pulverice el detergente sobre una superficie seca. No remoje previamente la zona. Mojar la superficie diluye el detergente y reduce su capacidad de limpieza. No deje que el detergente se seque en la superficie. En superficies verticales, aplique el detergente en las superficies y vaya subiendo para evitar que el detergente deje rayas en la suciedad.

Aclare el detergente lavando a presión de de abajo hacia arriba por la misma razón. Si una mancha es particularmente resistente, puede ser necesario volver a aplicar el detergente y utilizar un cepillo de cerdas para fregar la mancha. El lavado a presión posterior tras el cepillado debe completar con éxito su limpieza.

## LIMPIEZA DE BOQUILLAS

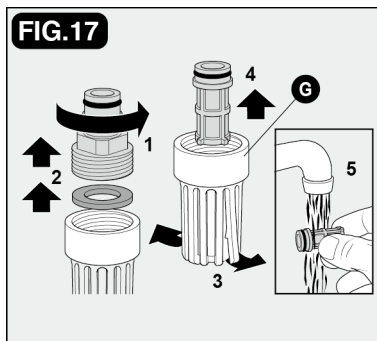
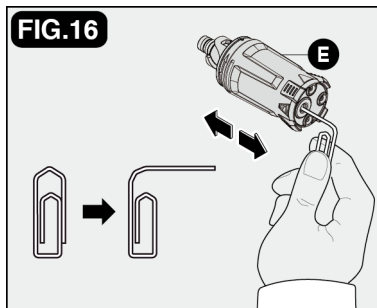
Una boquilla obstruida o parcialmente obstruida puede causar una reducción significativa de la presión del agua que sale de la boquilla y/o hacer que la unidad vibre mientras pulveriza.

Apague la unidad.

Cierre el suministro de agua a la unidad.

Alivie la presión atrapada en la manguera apretando el gatillo 2 - 3 veces, luego bloquee la pistola pulsando el botón hasta la posición de bloqueo.

Utilizando el limpiador de puntas de boquilla suministrado (o un desenrollado), inserte el cable en el orificio de la boquilla y muévalo hacia adelante y que se desprendan los residuos. Enjuague a contracorriente con agua a través de las boquillas utilizando manguera de jardín y la mayor presión disponible (con una boquilla de agua estándar o pulgar sobre la boquilla para crear presión de agua para el retrolavado).

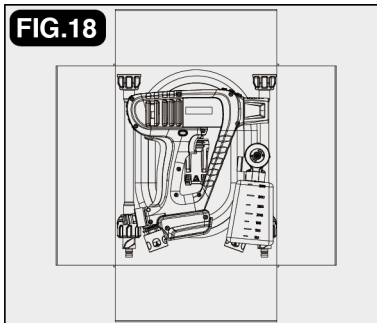


# CUIDADO Y MANTENIMIENTO

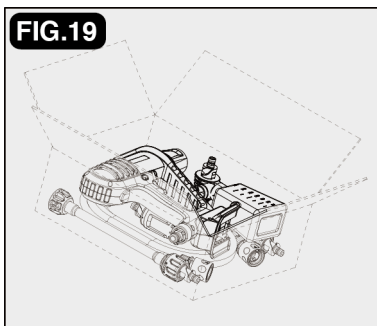
## ALMACENAMIENTO

Una vez finalizada la sesión de limpieza. Cierre el suministro de agua. Apriete el gatillo de la pistola 2-3 segundos para drenar el exceso de agua y liberar presión de agua restante. No deje que la limpiadora funcione sin agua. Retire la lanza de la pistola. Guárdelo todo en el embalaje. Asegúrese de desechar cualquier resto de detergente del depósito. El producto químico residual se pegará al recipiente, que podría contaminarse, y puede hacer que el inyector de detergente se atasque y no funcione correctamente. Lave el depósito y el cabezal del inyector con agua limpia para evitar obstrucciones. Retire la batería. NO guarde la limpiadora en un lugar que esté expuesto a temperaturas bajo cero. Guárdela en un lugar cerrado para evitar que el agua de la unidad se expanda bajo condiciones de congelación. Cuando el agua se congela y se expande, la limpiadora se dañará y dejará de funcionar.

**FIG.18**



**FIG.19**



## ACCESORIOS

Non

## SOLUCIÓN DE PROBLEMAS

PROBLEMA	MEDIDAS CORRECTIVAS
La limpiadora no se enciende	Compruebe el volumen de la batería pulsando el botón situado junto al indicador luminoso de encendido Compruebe el cierre de seguridad situado sobre el pulgar para asegurarse de que está presionado.
No sale agua por la boquilla	Asegúrese de que cuando apriete el gatillo de potencia, su mano esté apretando el gatillo de agua al mismo tiempo. Un proceso de autocebado completo con la manguera vacía tardará 30 segundos en modo máximo. Si la manguera de entrada de agua está conectada con agua del grifo acortará el tiempo.
El autocebado no funciona bien y la herramienta no suena correctamente	Asegúrese de que el adaptador para manguera de jardín esté bien conectado con la rejilla en su interior. Empuje los conectores de ambos extremos de la manguera hacia el adaptador y el filtro para manguera de jardín para asegurarse de que estén bien conectados. El filtro de la manguera de jardín tiene que estar por debajo del nivel del agua. Compruebe la altura de aspiración desde la fuente de agua. Elimine los pliegues de la manguera. Limpie el filtro de agua.
No se puede obtener el cambio de modo de potencia 2X haciendo doble clic en el disparador de potencia	Asegúrese de que el doble clic del gatillo de encendido se produce en 0,8 segundos.

## PROTECCIÓN DEL MEDIO AMBIENTE



1. La herramienta, los accesorios y el embalaje deben clasificarse para un reciclaje respetuoso con el medio ambiente.
2. Al final de su vida útil, las herramientas eléctricas y los accesorios aún contienen grandes cantidades de valiosas materias primas y plásticos que también pueden reciclarse.
3. Algunos polvos de trabajo contienen sustancias químicas nocivas y deben ser recogidos por un centro especial de reciclaje de residuos.
4. Sobre Residuos de Aparatos Eléctricos y Electrónicos y Baterías y Acumuladores y Residuos y su aplicación de conformidad con la legislación nacional, los aparatos eléctricos y baterías y acumuladores que hayan llegado al final de su vida útil deben recogerse por separado y devolverse a una instalación de reciclado compatible con el medio ambiente.

### Entretien

1. En caso de reclamación de garantía, reparación o compra de piezas de repuesto, diríjase siempre a un centro de servicio autorizado. Lleve consigo la tarjeta de servicio y la factura.
2. La garantía no cubre el desgaste normal, la sobrecarga ni el uso indebido.



# Despiece

## DPW-101

NO.	INDEX NO.	DESCRIPTION	D'TY
1	DPW-101T01	Right & Left housing ( 01,34)	1 SET
2	DPW-101P02	Decorative-left	1
3	DPW-101P03	Lance A	1
4	DPW-101P04	Lance B	1
5	DPW-101T05	Rubber pad for motor ( 2PCS )	1 SET
6	DPW-101T06	Rubber pad for pump head ( 2PCS )	1 SET
7	DPW-101P07	Trigger lock	1
8	DPW-101P08	Spring-small trigger	1
9	DPW-101P09	Trigger	1
10	DPW-101P10	Motor Pump Kit	1
11	DPW-101T11	Plug ( 2PCS )	1 SET
12	DPW-101P12	Decorative-front	1
13	DPW-101P13	4 in 1 nozzle	1
14	DPW-101P14	Trigger spring	1
15	DPW-101P15	O-ring Ø2.8*1.9	1
16	DPW-101P16	Gun valve-pin	1
17	DPW-101P17	core washer	1
18	DPW-101P18	Gun valve spring	1
19	DPW-101P19	Gun valve core	1
20	DPW-101P20	O-ring Ø3*1.5	1
21	DPW-101P21	Gun valve body	1
22	DPW-101P22	U-pin for gun valve	1
23	DPW-101P23	Decorative-right	1
24	DPW-101T24	Logo laber ( 2PCS )	1 SET
25	DPW-101P25	Suction connector kit	1
26	DPW-101P26	Big trigger	1
27	DPW-101P27	Trigger bracket	1
28	DPW-101P28	O-ring 11*2.5	1


NO.	INDEX NO.	DESCRIPTION	D'TY
29	DPW-101P29	Inlet connector	1
30	DPW-101P30	Water connector filter	1
31	DPW-101P31	body plug	1
32	DPW-101P32	O-ring Ø16*1.7	1
33	DPW-101P33	PCB kit	1
34	DPW-101P34	Left housing	1
35	DPW-101P35	Shift label	1
36	DPW-101P36	Name plate	1
37	DPW-101T37	Screw(ST3*14) ( 13PCS )	1 SET
38	DPW-101T38	Quick connector for slim hos ( 2PCS )	1 SET
39	DPW-101P39	Slim water inlethose kit (12mm*4M )	1
40	DPW-101P40	DETERGENT BOTTLE	1
41	DPW-101P41	foam nozzle	1
K01	DPW-101K01	Gun valve body Assembly ( 15~22,31 )	1 SET
K02	DPW-101K02	Big trigger Assembly ( 26,27 )	1 SET
K03	DPW-101K03	Inlet connector Assembly ( 28,29,30 )	1 SET

# Garantía

## Garantía limitada del fabricante

**Mighty Seven International Co. , LTD. .** ofrece una garantía limitada a los productos fabricados por **Mighty Seven** y vendidos por sus distribuidores autorizados en todo el mundo. La garantía limitada sólo se aplica a los productos que son defectuosos en material y mano de obra y no se aplica a los productos que han sido abusados, mal utilizados, representantes de servicio. Si hay un producto defectuoso de **Mighty Seven** , por favor envíelo prepagado al distribuidor donde lo compró junto con la dirección y la información de contacto. Las reparaciones o sustituciones están garantizadas como se ha descrito anteriormente; de lo contrario, se cobrará el servicio de reparaciones o sustituciones.

### Por favor, guarde esta tarjeta para la garantía

Fecha de compra	Número del modelo
Fecha de expiración de la garantía	Número de serie
Sello del distribuidor	
	

Fecha de compra :	Número del modelo :
Fecha de expiración de la garantía :	Número de serie :
Nombre :	
Nombre de la empresa :	
Dirección :	
Teléfono :	Fax:
E-Mail:	
<b>Tipo de negocio :</b> <input type="checkbox"/> Agricultura <span style="margin-left: 300px;"><input type="checkbox"/> Pintura y reparación de la carrocería</span> <input type="checkbox"/> Reparación general de automóviles <span style="margin-left: 150px;"><input type="checkbox"/> Obra pública / Servicios públicos del gobierno</span> <input type="checkbox"/> Neumático <span style="margin-left: 300px;"><input type="checkbox"/> Fábrica</span> <input type="checkbox"/> Mantenimiento y reparación de camiones <span style="margin-left: 150px;"><input type="checkbox"/> Uso en casa</span> <input type="checkbox"/> Fabricante de coches <span style="margin-left: 300px;"><input type="checkbox"/> Otros</span>	

# ALGEMENE VEILIGHEIDSREGELS

## NIET BEDOELD VOOR GEBRUIK

Dit hogedrukreinigingspistool is bedoeld voor het reinigen van boten, auto's, dekken, opritten, grills, gevelbekleding, motorfietsen, patio's en buitenmeubilair.

Dit apparaat is niet bedoeld voor gebruik door personen (inclusief kinderen) met verminderde fysieke, zintuiglijke of mentale mogelijkheden, of gebrek van ervaring en kennis, tenzij zij onder toezicht staan of instructie hebben gekregen over gebruik van het apparaat door een persoon die verantwoordelijk is voor hun veiligheid.

1. Kinderen moeten onder toezicht staan om ervoor te zorgen dat ze niet met het apparaat spelen.
2. Reiniging en gebruikersonderhoud mogen niet worden uitgevoerd door kinderen zonder toezicht.
3. Vloeistof niet gericht op apparatuur die elektrische onderdelen bevat (zoals de binnenkant van ovens).
4. De nieuwe slangensets die bij het apparaat worden geleverd en dat oude slangensets niet opnieuw mogen worden gebruikt.
5. Het apparaat mag niet onbeheerd worden achtergelaten terwijl het is aangesloten op het accupakket.
6. Het toestel mag niet gebruikt worden als het gevallen is, als er zichtbare schade is of als het lekt.
7. Houd het apparaat buiten het bereik van kinderen wanneer het onder spanning staat of afkoelt

## OORSPRONKELIJKE INSTRUCTIES



### WAARSCHUWING

**Lees alle veiligheids-en waarschuwingeninstructies !**

Het niet opvolgen van de waarschuwingen en instructies kan leiden tot elektrische schokken, brand en / of ernstig letsel.

**Bewaar alle waarschuwingen en instructies voor toekomstig gebruik.**

De term "elektrisch gereedschap" in de waarschuwingen verwijst naar uw elektrisch gereedschap met netvoeding (met snoer) of uw elektrisch gereedschap op batterijen (zonder snoer).

## VEILIGHEID WERKOMGEVING

1. Houd de werkplek schoon en goed verlicht. Rommelige of donkere ruimtes kunnen ongelukken veroorzaken.
2. Gebruik geen elektrisch gereedschap in een explosieve omgeving, zoals in de aanwezigheid van brandbare vloeistoffen, gassen of stof. Gereedschappen wekken vonken op die stof of dampen kunnen doen ontbranden.
3. Houd kinderen en omstanders uit de buurt tijdens het gebruik van elektrisch gereedschap. Afleiding kan ertoe leiden dat u de controle verliest.

## ELECTRISCHE VEILIGHEID

1. De stekker van het elektrisch gereedschap moet in het stopcontact passen. Pas de stekker op geen enkele manier aan. Gebruik geen adapterstekkers in combinatie met geaard elektrisch gereedschap. Ongewijzigde stekkers en bijpassende stopcontacten verminderen het risico op elektrische schokken.
2. Vermijd lichamelijk contact met geaarde oppervlakken zoals leidingen, radiatoren, fornuizen en koelkasten. Er is een verhoogd risico op elektrische schokken als uw lichaam geaard is.
3. Stel elektrisch gereedschap niet bloot aan regen of natte omstandigheden. Water dat een elektrisch gereedschap binnendringt, verhoogt het risico op elektrische schokken.
4. Gebruik de kabel niet verkeerd. Gebruik de kabel nooit om te dragen, te trekken of om de stekker van het elektrisch gereedschap uit het stopcontact te trekken. Houd de aansluitkabel uit de buurt van hitte, olie, voorwerpen met scherpe randen of bewegende voorwerpen. Beschadigde of verwarde aansluitkabels vergroten het risico op een elektrische schok.
5. Als u elektrisch gereedschap buiten gebruikt, gebruik dan een aangepast verlengsnoer. Gebruik van een snoer dat geschikt is voor buitengebruik verkleint het risico op elektrische schokken.
6. Als elektrisch gereedschap gebruiken in een vochtige omgeving onvermijdelijk is, gebruik dan een aardlekschakelaar (RCD) beveiligde voeding. Gebruik van een aardlekschakelaar vermindert het risico op elektrische schokken.

# ALGEMENE VEILIGHEIDSREGELS

## PERSOONLIJKE VEILIGHEID

1. Blijf alert, let op wat u doet en gebruik uw gezond verstand bij het gebruik van een elektrisch gereedschap. Gebruik het apparaat niet als u moe bent of onder invloed bent van drugs, alcohol of medicijnen. Een moment van onoplettendheid tijdens het gebruik van elektrisch gereedschap kan leiden tot ernstig persoonlijk letsel.
2. Gebruik persoonlijke beschermingsmiddelen. Draag altijd oogbescherming. Beschermende uitrustingen zoals een stofmasker, antislipschoenen, een veiligheidshelm of gehoorbescherming, gebruikt onder de juiste omstandigheden, vermindert persoonlijk letsel.
3. Voorkom onbedoeld starten. Zorg ervoor dat de schakelaar in de uit-stand staat voordat u het apparaat aansluit op een stroombron en / of accu, oppakt of draagt. Het dragen van elektrisch gereedschap met uw vinger op de schakelaar of het aansluiten van elektrisch gereedschap dat is ingeschakeld, kan tot ongelukken leiden.
4. Verwijder alle afstelsleutels of moersleutels voordat u het elektrisch gereedschap aanzet. Een sleutel of een sleutel die aan een draaiend deel van het elektrisch gereedschap is bevestigd, kan persoonlijk letsel veroorzaken.
5. Vermijd elke anormale positie. Zorg dat u altijd stevig staat en in evenwicht blijft. Dit zorgt voor een betere controle van het elektrisch gereedschap in onverwachte situaties.
6. Draag aangepaste kleding. Draag geen losse kleding of sieraden. Houd haar, kleding en handschoenen uit de buurt van bewegende onderdelen. Loshangende kleding, sieraden of lang haar kunnen tussen de bewegende onderdelen verstrikt raken.
7. Als er apparaten zijn meegeleverd voor het aansluiten van stofafzuig- en opvangvoorzieningen, zorg er dan voor dat deze zijn aangesloten en correct worden gebruikt. Het gebruik van deze apparaten kan stofgerelateerde gevaren verminderen.
8. Laat het veelvuldig gebruik van het toestel u de veiligheidsprincipes niet verwaarlozen. Een onvoorzichtige handeling kan een verwonding veroorzaken in een fractie van een seconde.

## GEBUIK EN ONDERHOUD VAN ELEKTRISCH GEREEDSCHAP

1. Forceer het elektrisch gereedschap niet. Gebruik het juiste elektrisch gereedschap voor uw werkzaamheden. Het juiste elektrisch gereedschap zal het werk beter en veiliger doen in het tempo waarvoor het is ontworpen.
2. Gebruik het elektrisch gereedschap niet als de schakelaar aan/uit niet functioneert. Elk elektrisch gereedschap dat niet met de schakelaar kan worden bediend, is gevaarlijk en moet worden gerepareerd.
3. Haal de stekker uit het stopcontact en / of de accu uit het elektrisch gereedschap voordat u afstellingen maakt, accessoires verwisselt of het elektrisch gereedschap opbergt. Dergelijke preventieve veiligheidsmaatregelen verminderen het risico dat het elektrisch gereedschap per ongeluk wordt gestart.
4. Bewaar elektrisch gereedschap dat niet in gebruik is, buiten het bereik van kinderen en laat personen die niet bekend zijn met het elektrisch gereedschap of met deze instructies, niet met het elektrisch gereedschap werken. Elektrisch gereedschap is gevaarlijk in handen van ongetrainde gebruikers.
5. Onderhoud elektrisch gereedschap. Controleer of bewegende onderdelen goed uitgelijnd of vastzitten, of er geen onderdelen gebroken zijn en alle andere omstandigheden die de werking van het elektrisch gereedschap kunnen beïnvloeden. Laat het elektrisch gereedschap voor gebruik repareren als het beschadigd is. Veel ongevallen worden veroorzaakt door slecht onderhouden van elektrisch gereedschap.
6. Houd snijgereedschap scherp en schoon. Goed onderhouden snijgereedschap met scherpe snijranden lopen minder snel vast en zijn gemakkelijker te bedienen.
7. Gebruik het elektrisch gereedschap, de accessoires, de gereedschapsbits enz. in overeenstemming met deze instructies, rekening houdend met de arbeidsomstandigheden en de uit te voeren werkzaamheden.
8. Hou de handvaten en oppervlaktes droog, proper en vrij van olie en vet. Glibberige handvaten en grijppoppervlaktes voldoen niet aan het veilig gebruiken van het toestel in onvoorziene omstandigheden. Deze kunnen zich resulteren in gevaarlijke situaties.



# ALGEMENE VEILIGHEIDSREGELS

## GEBRUIK EN ONDERHOUD VAN DE BATTERIJ

1. Laad alleen op met de oplader die door de fabrikant is gespecificeerd. Een oplader die geschikt is voor een bepaald type accu, kan brandgevaar opleveren bij gebruik met een andere accu.
2. Gebruik elektrisch gereedschap alleen met speciaal daarvoor bestemde accupacks. Het gebruik van andere accu's kan leiden tot letsel en brand.
3. Houd de accu uit de buurt als u deze niet gebruikt van andere metalen voorwerpen, zoals paperclips, munten, sleutels, spijkers, schroeven of andere kleine metalen voorwerpen die een verbinding kunnen maken vanaf één terminal naar een ander. Kortsluiting van de accupolen samen kunnen brandwonden of brand veroorzaken.
4. Onder zware omstandigheden kan vloeistof uit de batterij spatten; Vermijd contact. Als er per ongeluk contact optreedt, spoel dan met water. Als er vloeistof in de ogen komt, zoek dan ook medische hulp. Vloeistof die uit de batterij komt, kan irritatie of brandwonden veroorzaken.
5. Gebruik geen batterij pakket of gereedschap dat beschadigd of aangepast is. Beschadigde of aangepaste batterijen kunnen zich onvoorstelbaar voordoen, resulterend in vuurgevaar, explosie of gevaar om zich te kwetsen.
6. Gebruik een batterij pakket of gereedschap niet bij vuur of hoge temperaturen. Blootstelling aan vuur of hoge temperaturen boven de 130° kan explosiegevaar betekenen (temperatuur 265F)
7. Volg alle laadinstructions en laad het batterijpakket en het gereedschap niet buiten de aangegeven temperatuur in de omschrijving. Het onzorgvuldig laden of laden buiten de aangegeven temperatuur, kan de batterij beschadigen en kan de kans op brand verhogen.

## SERVICE

1. Laat uw elektrisch gereedschap repareren door een gekwalificeerde reparateur en alleen met identieke vervangende onderdelen. Dit zorgt ervoor dat de veiligheid van het elektrisch gereedschap behouden blijft.
2. Gebruik nooit beschadigde batterij pakketten. Het onderhoud van de batterij pakketten mag enkel gebeuren door de maker of herkende service dealers.

# VEILIGHEIDSINSTRUCTIES

Lees en begrijp deze hele handleiding voordat u het product in elkaar zet en het product in elkaar te zetten en te bedienen.

Bewaar deze handleiding voor toekomstig gebruik. Deze handleiding bevat informatie die betrekking heeft op het **BESCHERMEN VAN PERSOONLIJKE VEILIGHEID EN HET VOORKOMEN VAN PROBLEMEN**. Het is zeer belangrijk dat u deze handleiding zorgvuldig te lezen en grondig te begrijpen voordat u het product gebruikt. De symbolen hieronder worden gebruikt om deze informatie aan te geven.

## **GEVAAR**

Potentieel gevaar dat kan leiden tot ernstig letsel of verlies van leven.

## **WAARSCHUWING**

Gevaar dat kan leiden tot ernstig letsel of verlies van leven.

## **VOORZICHTIG**

Potentieel gevaar dat kan leiden tot matig letsel of schade aan apparatuur.

Opmerking: Het woord "Opmerking" wordt gebruikt om de lezer te informeren lezer te informeren over iets dat de gebruiker moet weten over het gereedschap.

## **WAARSCHUWING**

Lees alle veiligheidswaarschuwingen en instructies.

Het niet opvolgen van de waarschuwingen en instructies kan leiden tot elektrische schokken, brand en/of ernstig letsel.

1. Voorafgaand aan de installatie van dit product, moeten de installatie-instructies gelezen en volledig begrepen worden. De installatie-instructies moeten worden gelezen om persoonlijk letsel en schade aan eigendommen te voorkomen. schade te voorkomen. Bewaar deze installatie-instructies op een gemakkelijk toegankelijke plaats voor toekomstige referentie.
2. Deze set bevat kleine onderdelen die verstikkingsgevaar kunnen opleveren als ze worden ingeslikt.
3. Waarschuwing - Bij gebruik van dit product, moeten altijd de basisvoorzorgen opgevolgd, waaronder de volgende:
4. Lees alle instructies voordat u het product.
5. Weten hoe je het product stopt en de druk snel te verlagen. Wees grondig vertrouwd met de bedieningselementen.
6. Houd het werkgebied vrij van personen.
7. Niet te ver reiken of op onstabiele steun. Houd te allen tijde een goeie voetbalans en evenwicht.
8. Volg de onderhoudsinstructies zoals zoals gespecificeerd in de handleiding.
9. Om persoonlijk letsel en/of schade aan eigendommen te voorkomen en uw ervaring met de motorreiniger alle veiligheidstips, instructies waarschuwingen en voorzorgsmaatregelen en raakt u vertrouwd raken met alle bedieningselementen. Zorg ervoor dat dat u weet hoe u snel de druk van alle onderdelen van uw reiniger en hoe u de reiniger uitschakelt.
10. Deze stofzuiger voldoet aan CSA en andere veiligheids- en normen. Wijzig of herbouw geen onderdeel van uw motorreiniger.
11. Gebruik de motorreiniger niet wanneer u onder invloed bent van alcohol of drugs. Gebruik dit apparaat voorzichtig en alleen als u alert bent.
12. Let op uw evenwicht en uw voeten het gebruik van de motorreiniger. Oppervlakken worden glad als ze nat zijn en zijn extra glad bij gebruik van een reinigingsmiddel of reinigingsmiddel gebruikt.
13. Gebruik de motorreiniger nooit op blote blote voeten, sandalen of schoenen met open tenen.
14. Als u de motorreiniger in de buurt van kinderen, zorg ervoor dat ze onder onder toezicht van een volwassene staan om letsel te voorkomen. Laat een kind nooit de motorreiniger gebruiken.
15. Houd vingers, handen, voeten en andere lichaamsdelen van uw lichaam vrij van de stroom drukwater. De krachtige straal kan blindheid veroorzaken of kan de huid. Het kan een ruit breken als je te dichtbij bent als je de trekker van het spuitpistool haalt.
16. Draag altijd oogbescherming om letsel aan de ogen te voorkomen wanneer u de reiniger gebruikt.
17. Om ongelukken of verwondingen te voorkomen, **ALTIJD** de de trekkerbeveiliging wanneer u de motorreiniger niet gebruikt, zelfs als kort stopt.
18. Richt het spuitpistool in een veilige richting wanneer u met een motorreiniger aan een sessie begint.

# VEILIGHEIDSINSTRUCTIES

19. Waarschuwing: spuit NOOIT rechtstreeks op een persoon, dier, elektrisch apparaat of het apparaat zelf.
20. Wanneer u de motorreiniger voor het eerst gebruikt, met twee handen vasthouden bij het overhalen van de trekker over te halen (één hand om de trekker over te halen en de andere om de assemblage te stabiliseren) totdat u gewend bent aan de "terugslag" van de krachtreiniger.
21. Als u op de aan/uit-schakelaar drukt om de stroomreiniger uit te schakelen, kan er water druk in het systeem achterblijven. Om druk af te voeren, richt u de reiniger in een veilige richting en haalt u de trekker over.
22. Spuit nooit met onvlambare vloeistoffen.
23. Gebruik de motorreiniger nooit in omgevingen die brandbare stof, vloeistoffen of dampen bevatten.
24. Vermijd contact van de drukslang met scherpe voorwerpen en onderzoek de slang regelmatig. Vervang de slang als deze beschadigd is. Vanwege de hoge druk kan de slang niet gerepareerd als hij is doorgesneden of beschadigd.
25. Gebruik alleen schoonmaakmiddelen die speciaal voor elektrische reinigers en volg de instructies op het etiket. Afwasmiddel of wasmiddel is te dik en zal het mondstuk van je schuimkanon verstoppen.
26. Bescherm ogen, longen en huid tegen blootstelling aan wasmiddel.
27. Waarschuwing: Als er een verbinding wordt gemaakt met een drinkwatersysteem, moet het systeem worden beschermd tegen terugstroming.
28. Gebruik nooit heet water met uw reiniger. Het zal oververhit raken en de hogedrukpomp beschadigen.
29. Laat de motorreiniger nooit onbeheerd achter terwijl hij "aan" staat.
30. Zet altijd de watertoevoer aan voordat de stroomreiniger aan te zetten aan te zetten. Drooglopen van de pomp veroorzaakt schade aan de interne onderdelen.
31. Gebruik nooit een watertoevoer naar uw reiniger met een maximum van 150 PSI.
32. Koppel de hogedrukslang nooit los van de slang nooit los van de hogedrukreiniger terwijl het systeem onder druk staat.
33. Blokkeer nooit permanent het trekkermechanisme op de motorreiniger.
34. Gebruik de motorreiniger nooit tenzij alle onderdelen goed en stevig zijn aangesloten.
35. Laat de pomp van de motorreiniger nooit meer dan een minuut laten draaien nadat nadat u de watertoevoer hebt afgesloten. Hierdoor kunnen de motor en de pomp oververhitten en defect raken.
36. Gebruik nooit lansen of andere onderdelen die niet compatibel zijn met dit specifieke product.
37. Spuit nooit op een stopcontact met uw motorreiniger.
38. Blijf alert - let op wat je doet.

## VOORZICHTIG

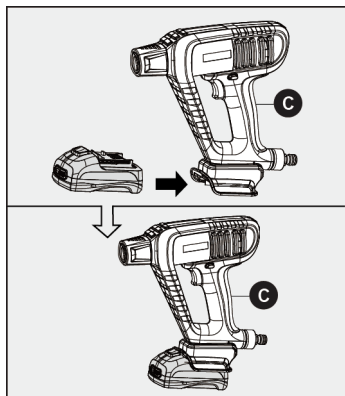
Bewaar de motorreiniger binnenshuis om te voorkomen dat voorkomen dat het water in het apparaat uitzet onder vriesomstandigheden. Wanneer het water bevroert en uitzet, zal uw motorreiniger beschadigd en onbruikbaar worden.

## WAARSCHUWING

Dit product kan u blootstellen aan chemicaliën waaronder lood, ftalaat of bisfenol A waarvan de staat Californië weet kanker, geboortefwijkingen of andere reproductieve schade. Was je handen na gebruik. Ga voor meer informatie naar [www.P65Warnings.ca.gov](http://www.P65Warnings.ca.gov)

# VEILIGHEIDSINSTRUCTIES

## BATTERIJ NIET MEEGELEVERD IN HET APPARAAT



- Raak de stroomreiniger, oplader oplaadstekker of oplaadklemmen niet met natte handen aan.
- Schakel alle bedieningselementen uit voordat u de accu te verwijderen.
- Schakel de stofzuiger uit en verwijder de accu voordat u de slang of andere accessoires aan te sluiten.
- Voorkom onbedoeld starten. Zorg ervoor dat de schakelaar in de uit-stand staat voordat u aansluiten op de accu, oppakken of dragen van de stofzuiger. Dragen de stofzuiger met uw vinger op de schakelaar kan ongelukken veroorzaken.
- Koppel de accu los van de stofzuiger voordat u aanpassingen, het vervangen van accessoires of de stroomreiniger op te bergen. Dergelijke preventieve veiligheidsmaatregelen verminderen het risico van per ongeluk starten van de motorreiniger.
- Laad alleen op met de door de fabrikant aanbevolen lader. Een oplader die geschikt is voor één type accu kan brand veroorzaken als hij wordt gebruikt met een andere accu.
- Gebruik de energiereiniger alleen met aangewezen accu's. Gebruik van andere accu's kan risico op letsel en brand.
- Als de accu niet in gebruik is, houd deze dan uit de buurt van andere metalen voorwerpen, zoals paperclips, munten, sleutels, spijkers, schroeven of andere kleine metalen voorwerpen die een verbinding kunnen maken tussen de polen. Kortsluiten van de batterijpolen kan

- brandwonden of brand veroorzaken.
- Onder extreme omstandigheden kan er vloeistof uit de batterij komen; vermijd contact. Als er per ongeluk contact optreedt, spoel met water. Als de vloeistof in de ogen komt medische hulp. Vloeistof die uit de batterij kan irritatie of brandwonden veroorzaken.
- Gebruik geen reiniger die beschadigd of aangepast is. Beschadigde of aangepaste batterijen kunnen onvoorspelbaar gedrag vertonen, wat kan leiden tot brand, explosie of kans op letsel.
- Stel een accu of stroomreiniger niet aan vuur of een te hoge temperatuur. Blootstelling aan vuur of temperaturen boven 100°C (212°F) kan explosie veroorzaken.
- Volg alle oplaadinstructies en laad de accu of stroomreiniger niet op buiten het reiniger niet buiten het temperatuurbereik zoals aangegeven in de instructies. Het verkeerd opladen of bij temperaturen buiten van het opgegeven bereik kan de batterij beschadigen en het risico op brand vergroten.

### **VOORZICHTIG**

OM HET RISICO OP LETSEL DOOR VAN BEWEGENDE DELEN, ONTKOPPEL DE ACCU LOS VOORDAT U DEZE REINIGT OF ONDERHOUD.

### **WAARSCHUWING**

OM HET RISICO VAN BRAND OF NIET BLOOTSTELLEN AAN REGEN. BINNEN BEWAREN.

### **WAARSCHUWING**

OM HET RISICO VAN BRAND OF EXPLOSIE TE VERMINDEREN, DE BATTERIJ LOSKOPPELEN ALVORENS SCHOON TE MAKEN OF ONDERHOUD.

## VEILIGHEIDSINSTRUCTIES

- Vermijd opslag in direct zonlicht.
- Gooi gebruikte batterijen onmiddellijk weg. het weggooien van secundaire cellen of batterijen cellen of batterijen van verschillende elektrochemische systemen gescheiden van elkaar.
- Houd de batterij buiten het bereik van kinderen en in de originele verpakking tot ze klaar zijn voor gebruik.
- Stop batterijen nooit in de mond. bij inslikken, neem contact op met uw arts of het plaatselijke vergiftigingscentrum.
- Sluit een cel of batterij niet af. Doe bewaar cellen of batterijen niet lukraak in een doos of lade waar ze elkaar kunnen kortsluiten of kortgesloten kunnen worden door geleidende materialen.
- Batterijen moeten worden gerecycled.
- Stel cellen of batterijen niet bloot aan mechanische schokken.
- Houd cellen en batterijen schoon en droog. Veeg de contactpunten van de cel of batterij af met een schone droge doek als ze vuil zijn geworden.
- Bewaar secundaire cellen en batterijen niet opgeladen als ze niet in gebruik zijn.
- Verwijder indien mogelijk de batterij uit de apparatuur wanneer deze niet in gebruik is.
- Laat onderhoud uitvoeren door een reparateur die alleen identieke vervangende onderdelen. Dit zorgt ervoor dat de veiligheid van het product gehandhaafd blijft.


# VEILIGHEIDSSYMBOLIES

Het doel van de veiligheidssymbolen is uw aandacht te vestigen op eventuele gevaren. De veiligheidssymbolen en -verklaringen die daarbij horen verdienen uw aandacht en begrip. Waarschuwingen door symbolen op zich sluiten geen gevaar uit. De instructies en waarschuwingen die zij geven vervangen niet de juiste maatregelen ter voorkoming van ongevallen.

## WAARSCHUWING

Zorg ervoor dat u alle veiligheidsinstructies in deze handleiding, inclusief alle veiligheidswaarschuwingssymbolen zoals "GEVAAR", "WAARSCHUWING" en "VOORZICHTIG", hebt gelezen en begrepen. Het niet opvolgen van alle onderstaande instructies kan elektrische schokken, brand en / of ernstig letsel met zich mee brengen.

## BETEKENIS VAN DE SYMBOLEN

 **VEILIGHEIDSWAARSCHUWINGSSYMBOLIES** : Geeft een GEVAAR, een WAARSCHUWING of een PREVENTIE aan. Kan tegelijkertijd met andere symbolen of pictogrammen gebruikt worden.

**GEVAAR** Geeft een dreigende gevaarlijke situatie aan die, als deze niet wordt vermeden, de dood of ernstige verwondingen tot gevolg zal hebben.

**WAARSCHUWING** Geeft een mogelijk gevaarlijke situatie aan die, indien deze niet wordt vermeden, kan leiden tot de dood of ernstig letsel.

**VOORZICHTIG** Geeft een mogelijk gevaarlijke situatie aan die, indien deze niet vermeden wordt, kan leiden tot lichte of matige verwondingen.






## WAARSCHUWING








Lees alle veiligheidswaarschuwingen ontworpen met het  symbool en alle instructies.

# VEILIGHEIDSSYMBOLIES

Bepaalde van de hieronder volgende symbolen kunnen gebruikt worden op dit gereedschap. Kijk ernaar en leer wat ze betekenen. Een juiste interpretatie van deze symbolen zal u in staat stellen het gereedschap efficiënter en veiliger te gebruiken.

Gevaarlijke locatie	Voorzorgsmaatregel	Label markering
Hogedrukreiniger gebruiken Pistool	Electrostatische ontlading van toestellen kan gevaarlijk zijn voor personen die een pacemaker hebben. Als de luchtvochtigheid lager is dan 20%, gebruik dan een elektrische ontlander om statische electriciteit te voorkomen.	
Hogedrukreinigerpistool	Oogbescherming met een veiligheidsbril	
Hogedrukreinigerpistool	Lees de instructiehandleiding zorgvuldig vooraleer u start met werken met het toestel of als u er een onderhoud aan doet.	

# VEILIGHEIDSSYMBOLEN

Gevaarlijke locatie	Vorzorgsmaatregel	Label marking
Hogedrukreinigerpistool	Oorbescherming	
Hogedrukreinigerpistool	Afgedankte elektrische producten mogen niet worden weggegooid met het huishoudelijk afval. Recyclen waar voorzieningen aanwezig zijn. Neem contact op met uw gemeente of winkelier voor advies over recycling.	
Hogedrukreiniger gebruiken Pistool	Voorkom vibratie bij het gebruiken van de sleutel voor een korte tijd. Draag vibratie-absorberende handschoenen en zorg dat loshangende onderdelen van de handschoenen niet verwickeld raken in de sleutel.	
Hogedrukreiniger gebruiken Pistool	Slangen naar de waterleiding. Sommige gebieden hebben beperkingen tegen het rechtstreeks aansluiten op de openbare drinkwatervoorziening om terugg koppeling van chemicaliën in de drinkwatervoorziening te voorkomen. Directe aansluiting via een opvangtank of terugstroom terugstroombeveiliging is meestal toegestaan.	
Directe stroom	Karakteristieken van de stroom	
Geen laad snelheid	Rotatiesnelheid bij het niet laden	
Klasse II constructie	Dubbel geïsoleerde constructie	
Per minuut	Revoluties, slagen, oppervlakte snelheid omwentelingen, enz... per minuut.	.../min or min <sup>-1</sup>

## AVERTISSEMENT

Om veiligheid en betrouwbaarheid te garanderen, moeten alle reparaties worden uitgevoerd door een gekwalificeerde servicetechnicus.

# SPECIFIEKE VEILIGHEIDSREGELS

## SPECIFIEKE VEILIGHEIDSREGELS VOOR SLAGMOERSLEUTELS

1. Gebruik alleen de hieronder vermelde laders en batterijen:

ACCU	OPLADER
DB-1850P	DC-18A

### WAARSCHUWING

Enkel gebruik bij  Li-ion Batterij pakket.

Enkel gebruik bij de  batterijlader

2. Draag altijd een veiligheidsbril en gehoorbescherming wanneer u dit gereedschap gebruikt.
3. Voorkom trillingen en gebruik een sleutel in korte tijd. Draag trillingsdempende handschoenen en pas op dat geen delen van de handschoenen losraken om verstriking door de sleutel te voorkomen.
4. Zorg ervoor dat de schakelaar in de uit-stand staat voordat u de accu plaatst. Het plaatsen van de accu in elektrisch gereedschap met de schakelaar op "aan" kan ongelukken veroorzaken.
5. Controleer het accessoire zorgvuldig vooraf op scheuren, barsten of schade voor installatie.
6. Bit, doppen en gereedschappen worden heet tijdens het gebruik. Draag handschoenen wanneer u ze na gebruik aanraakt.
7. Verwijder de accu voordat u accessoires verwisselt. Het kan per ongeluk worden gestart, omdat accu-apparaten met een geplaatste accu in permanente werkende staat verkeren.

### WAARSCHUWING

Bepaalde soorten stof die vrijkomen bij elektrisch schuren, zagen, slijpen, boren en andere bouwactiviteiten bevatten chemicaliën waarvan in de staat Californië bekend is dat ze kanker, geboortefwijkingen of andere geboortefwijkingen veroorzaken.

Ziehier enkele exemplaren van chemische producten:

- Lood uit loodhoudende verven
- Kristallijn silica uit bakstenen, cement en andere metselwerkproducten.
- Arssen en chroom uit chemisch behandeld hout.

Uw risico van deze blootstellingen varieert afhankelijk van hoe vaak u dit soort werk doet. Om uw blootstelling aan deze chemicaliën te verminderen:

- Werk in een goed geventileerde omgeving.
- Werk met goedgekeurde veiligheidsuitrusting, zoals stofmaskers die speciaal zijn ontworpen om microscopisch kleine deeltjes uit te filteren.
- Vermijd langdurig contact met stof van elektrisch schuren, zagen, slijpen, boren en andere bouwwerkzaamheden. Draag beschermende kleding en was blootgestelde delen met water en zeep. Door stof in de mond of ogen te laten komen of op de huid te laten neerslaan, kan de opname van schadelijke chemicaliën worden bevorderd.

### BEWAAR DE INSTRUCTIES!

## VEILIGHEIDSREGELS VOOR DE OPLADER

1. Voordat u de batterijlader gebruikt, dient u alle instructies en waarschuwingen in deze handleiding, op de batterijlader, de batterij en het product te lezen om misbruik van de producten en eventuele verwondingen of schade te voorkomen.

### VOORZICHTIG

Om het risico van elektrische schokken of schade aan de oplader en de batterij te verkleinen, laadt u alleen oplaadbare lithium-ionbatterijen op zoals

specifiek vermeld op het label van de oplader. Andere soorten batterijen kunnen barsten, hetgeen persoonlijk letsel of schade teweeg kan brengen.

2. Gebruik de oplader niet buitenshuis en stel hem niet bloot aan natte of vochtige omstandigheden. Water dat de oplader binnendringt, verhoogt het risico op elektrische schokken.



3. Het gebruik van een accessoire dat niet aanbevolen of verkocht wordt door de fabrikant van de batterijlader kan brand, een elektrische schok of lichamelijk letsel veroorzaken.
4. Maak geen misbruik van het snoer of de oplader. Gebruik nooit het snoer om de oplader te dragen. Trek niet aan het snoer van de oplader om de stekker uit het stopcontact te halen. Er kan schade aan het snoer of de oplader optreden en gevaar voor elektrische schokken veroorzaken. Vervang beschadigde snoeren onmiddellijk.
5. Zorg ervoor dat het snoer zo is geplaatst dat er niet op getrapt, erover gestruikeld wordt of in contact kan komen met scherpe randen of bewegende delen, of op een andere manier onderworpen is aan schade of spanning. Dit verkleint het risico van per ongeluk vallen, wat kan verwonden en schade aan het snoer kan veroorzaken, hetgeen een elektrische schok met zich mee kan brengen.
6. Bescherm het snoer en de oplader tegen hitte om schade aan de behuizing of de interne onderdelen te voorkomen.
7. Voorkom dat benzine, oliën, producten op basis van aardolie enz. In contact komen met plastic onderdelen. Deze materialen bevatten chemicaliën die plastic kunnen beschadigen, verzwakken of vernietigen
8. Een verlengsnoer mag alleen worden gebruikt als dit absoluut noodzakelijk is. Gebruik van een ongepast verlengsnoer kan leiden tot een risico op brand en elektrische schokken. Als er een verlengsnoer moet worden gebruikt, zorg er dan voor dat:
  - de snoerstekker hetzelfde aantal pinnen heeft als die van de oplader en dat zijn pinnen dezelfde vorm en grootte hebben.
  - de snoer goed bedraad en elektrisch in goede staat is
  - de maat groot genoeg is voor de nominale intensiteit van de oplader zoals hieronder vermeld :

De lengte van het snoer (ft) 25' 50' 100'

Maat van het snoer (AWG) **16 (AWG)**

**NOTA** : AWG = American Wire Gauge
9. Gebruik de lader niet met een beschadigd snoer of stekker, dit zou kortsluiting en een elektrische schok kunnen veroorzaken. Als de lader beschadigd is, laat het dan repareren of vervangen door een bij de klantenservice erkende technicus. **m7**
10. Gebruik de lader niet als deze een heftige stoot heeft ondervonden, als het gevallen of beschadigd is op welke manier dan ook. Breng het dan naar een erkende technicus van de klantenservice voor een elektrische controle om na te gaan of de lader in goede functionele staat verkeerd. **m7**
11. Demonteer de lader niet. Breng het naar een erkende technicus van een klantenservice als onderhoud of reparatie nodig is. Onjuiste montage kan een elektrische schok of brand met zich mee brengen. **m7**
12. Trek de stekker uit het stopcontact voor elk onderhoud of reiniging om het risico op elektrische schokken te verminderen.
13. Haal de stekker van de lader uit het stopcontact als u de lader niet gebruikt. Dat verkleint het risico op een elektrische schok of beschadiging van de lader als metalen voorwerpen in de opening vallen. Dat vermijdt ook dat de lader beschadigd wordt tijdens een stroompiek.
14. Risico op een elektrische schokken. Raak niet het niet-geïsoleerde gedeelte van de uitgangconnector of de niet-geïsoleerde accupool aan.
15. Bewaar deze instructies. Raadpleeg ze vaak en gebruik ze om andere gebruikers over dit apparaat te informeren. Als u dit gereedschap aan iemand uitleent, leen hen dan ook deze instructies om slecht gebruik van het gereedschap te voorkomen.

## ALGEMENE INFORMATIE

Het serienummer van mighty 7 vindt u terug in het 2de/3de digitale nummer en de maanden zijn het 4de/5de nummer.

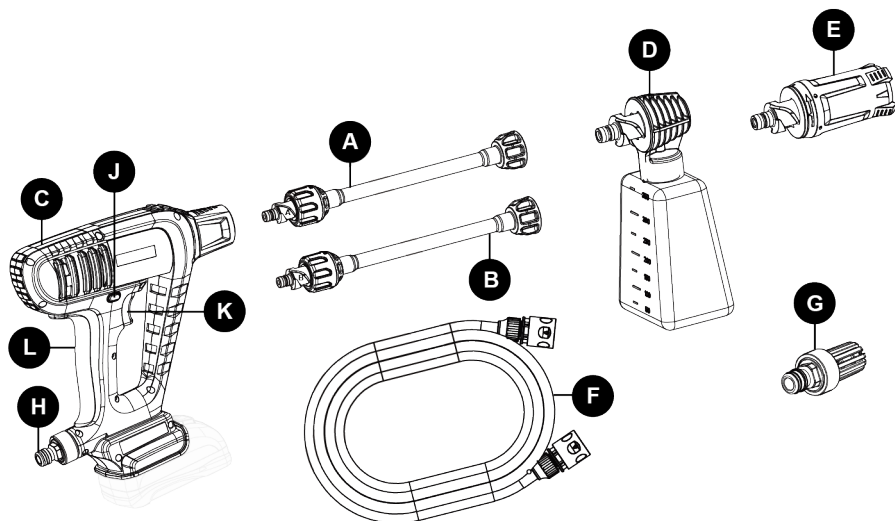
## GEREEDSCHAPSBESCHRIJVING

### BEDIENINGSCONTROLE



Dit hogedrukreinigingspistool is bedoeld voor het reinigen van boten, auto's, dekken, opritten, grills, gevelbekleding, motorfietsen, terrassen en buitenmeubilair.

#### 1. Hoofdonderdelen van DPW-101



DEEL	BESCHRIJVING	KWANTITEIT
A	Lans A	1
B	Lans B	1
C	Draadloos waterpistool	1
D	Hogedrukschuimkanon	1
E	4 in 1 mondstuk	1
F	13' water aanzuigslang kit	1
G	Waterfilter	1
H	Slang Adapter	1
J	Veiligheidsvergrendelknop	1
K	Vermogen trekker	1
L	Water trekker	1

## KENMERKEN

<b>Model</b>	DPW-101
<b>Debiet</b>	2.8L/min
<b>Lengte slang</b>	4M
<b>Maximale druk</b>	2,5 MPa / 360 PSI / 25 bar
<b>Li-ion batterij</b>	Li-ion 5,0 Ah
<b>Geschat voltage</b>	18V
<b>Volledig opgeladen</b>	20V
<b>Lengte gereedschap</b>	876 mm
<b>Gewicht (KG)</b>	1.72 kg
<b>Druk van inlaatwater</b>	0,5 MPa MAX.

NOTA: Vanwege het voortdurende **m7** ontwikkelingsprogramma zijn de specificaties in deze handleiding

gegeven als algemene informatie en zijn niet bindend. We behouden ons het recht voor om op elk moment en zonder voorafgaande kennisgeving wijzigingen of wijzigingen door te voeren aan onderdelen, fittingen en accessoires die om welke reden dan ook noodzakelijk worden geacht.

DPW-101 : **Zonder belasting getest door ophanging**

**A-gewicht geluidsdruk niveau meting:  $L_{pa} = 69$  db, onzeker  $K_{pa} = 3$  db**

**A- gewicht geluidskracht niveau onder calculatie:  $L_{wa} = 77$  db, onzeker  $K_{wa} = 3$  db**

Vibration level ( $m/s^2$ ):  $0.2 m/s^2$ , Uncertainty  $K = 1.5 m/s^2$

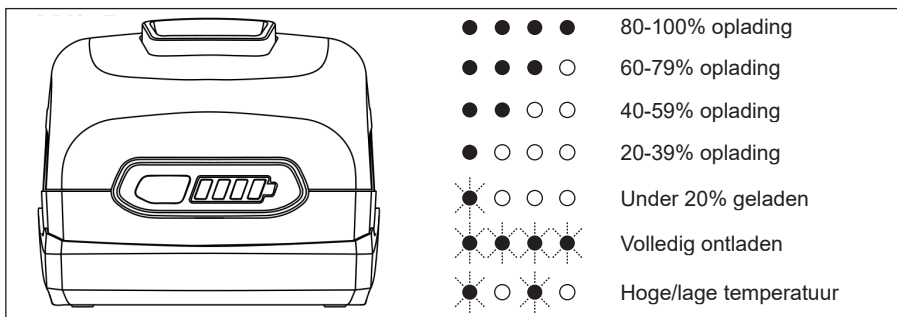
## 1. LED FUNKTIES VAN DE OPLADER

LED INDICATOR	ACCU	RODE LED	GROENE LED	ACTIE	
HI/LO TEMP. (zie handleiding)		<b>BATTERIJ KOUD/ WARM</b>	<b>AAN</b>	<b>UIT</b>	Het opladen begint zodra de temperatuur tussen 5°C en 40°C is.
 BATTERIJ DEFECT		<b>DEFECT</b>	<b>KNIPPERT</b>	<b>UIT</b>	Accu of oplader is defect
BATTERIJ LAADT OP		<b>LAADT OP</b>	<b>UIT</b>	<b>KNIPPERT</b>	<b>Laadt op</b>
BATTERIJ OPGELADEN		<b>VOLLEDIG OPGELADEN</b>	<b>UIT</b>	<b>AAN</b>	Het opladen is beëindigd

## 2. POWER BAR

Deze lithium-ionbatterij is uitgerust met een POWER BAR, die wordt gebruikt om de resterende autonomie van de batterij aan te geven. Druk op de POWER BAR-knop om de LED-indicatoren weer te geven. De LED-lampjes blijven ongeveer 4 seconden branden.

**OPMERKING** : DE POWER BAR kan gebruikt worden als de batterij bevestigd is op of verwijderd is uit het gereedschap.



## 3. INDICATOR LAGE BATTERIJCAPACITEIT

- Als de LED werklampen op de POWER BAR snel en aanhoudend knipperen, terwijl de trigger op het gereedschap is ingedrukt, dan is de accu leeg en moet deze opgeladen worden.
- In tegenstelling tot andere soorten batterijen, bieden de lithium-ion batterijen een vermogen zonder hun kracht te verminderen tijdens de hele tijd van het functioneren. Het gereedschap ondergaat geen langzame en geleidelijke krachtvermindering terwijl u aan het werkt bent. Om aan te geven dat de batterij bijna leeg is en opnieuw geladen moet worden, zal de kracht van het gereedschap plotseling afnemen. Op de POWER BAR zullen vier LED lampjes gaan knipperen als het gereedschap volledig ontladen is.

Verwijder het gereedschap van het werkstuk en laadt de accu opnieuw op als dit nodig is.

**OPMERKING** : De POWER BAR kan ook vier knipperende LED lampjes laten branden als er sprake is van overbelasting of een hoge temperatuur.

## 4. WANNEER EEN BATTERIJ OPLADEN

De lithium-ion batterij kan op elk moment opgeladen worden en ontwikkelt geen "geheugen" als hij opgeladen is na een gedeeltelijke ontlading. Het is niet nodig om de batterij volledig te ontladen voordat u deze opnieuw oplaadt. Haal de batterij uit het gereedschap, wanneer het u het beste uitkomt.

- Gebruik de POWER BAR om te vast te stellen wanneer u de batterij opnieuw op moet laden.
- U kunt uw batterij opnieuw opladen voordat u er gedurende lange tijd mee gaat werken.

## 5. ANBEVELINGEN VOOR OPSLAG

- De ideale opslagplaats is een koele, droge plaats, beschermd tegen direct zonlicht en extreme temperaturen. Overstijg niet de 40°C (104°F).
- Voor langdurige opslag wordt aanbevolen de volledig opgeladen batterij op een koele, droge plaats buiten de oplader te bewaren voor optimale resultaten.



het is noodzakelijk om de batterij voor gebruik op te laden.

# MONTAGE



## WAARSCHUWING

Als een onderdeel kapot is of ontbreekt, probeer dan NIET de accu te bevestigen of het gereedschap te gebruiken totdat het kapotte of ontbrekende onderdeel is vervangen, anders riskeert u een ernstig letsel.



## WAARSCHUWING

Probeer niet om dit gereedschap aan te passen of accessoires te maken die niet worden aanbevolen voor gebruik met dit gereedschap. Een dergelijke verandering of aanpassing vormt misbruik en kan leiden tot een gevaarlijke situatie die kan leiden tot ernstig letsel.



## WAARSCHUWING

Uw gereedschap mag nooit op de accu zijn aangesloten wanneer u onderdelen monteert, aanpassingen maakt, messen installeert of verwijdert, schoonmaakt of wanneer het niet in gebruik is. Door de stekker uit het stopcontact te halen, voorkomt u dat het per ongeluk wordt gestart, wat ernstig letsel kan veroorzaken.

## INHOUD

Op de verpakking

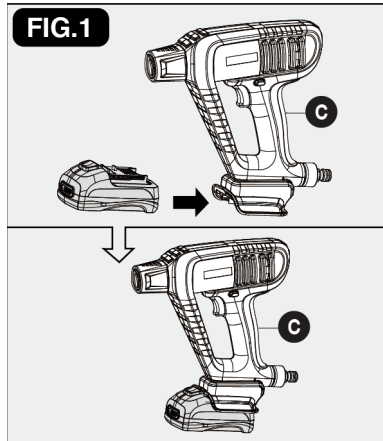
## UITPAKKEN

1. Haal het gereedschap en alle accessoires voorzichtig uit de doos. Zorg ervoor dat alle artikelen die op de paklijst staan vermeld aanwezig zijn.
2. Inspecteer het gereedschap zorgvuldig om er zeker van te zijn dat er geen breuk of schade is opgetreden tijdens het transport.
3. Gooi het verpakkingsmateriaal pas weg nadat u het gereedschap grondig hebt geïnspecteerd en naar tevredenheid hebt gebruikt.

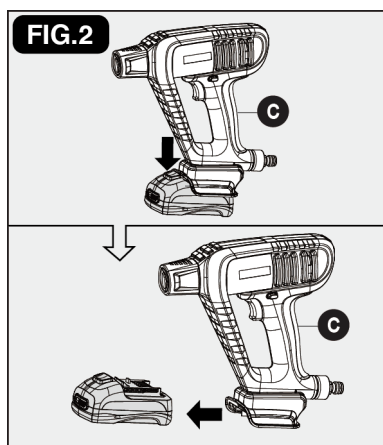
# MONTAGEHANDLEIDING

## INSTALLEREN EN VERWIJDEREN BATTERIJPAK

Om de batterij te plaatsen, schuift u deze in het batterijcompartiment totdat het vastklikt (AFB.1).

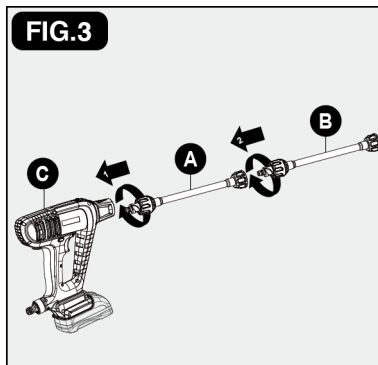


Om de batterij te verwijderen, drukt u op de vergrendeling en trek hem uit het batterijcompartiment (AFB 2).



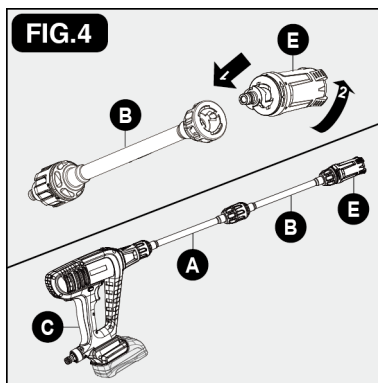
## VERLENGLANS EN INSTALLATIE MONDSTUK

Terwijl de snoerloze motorreiniger (C) in de vergrendelde stand staat, steekt u de lans (A) in het uiteinde van de stofzuiger door eraan te trekken en rechtsonder te draaien tot hij volledig op zijn plaats zit en steek de lans (B) in de lans (A). Om te verwijderen, draait u tegen de klok in.



Bevestig het 4 in 1 mondstuk (E) in het uiteinde van de lans (B) door het op zijn plaats te drukken en te draaien met de klok mee. Om te verwijderen tegen de klok in.

**Opmerking:** Druk altijd op de veiligheidsvergrendelknop om de trekker te vergrendelen bij het verwisselen van lansen en mondstukken om ervoor te zorgen dat ze niet per ongeluk met kracht worden uitgeworpen tijdens deze handeling.



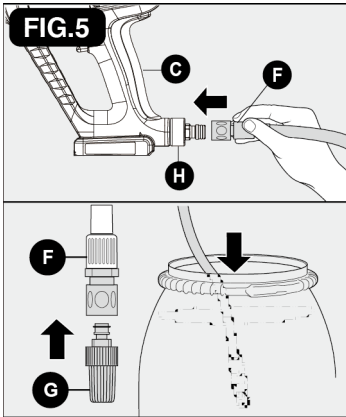
# MONTAGEHANDLEIDING

## AANSLUITING WATERTOEOVOER

Bevestig de wateraanzuigslangkit (F) aan de slangadapter (H). Bevestig het filter (G) aan de slangenset (F).

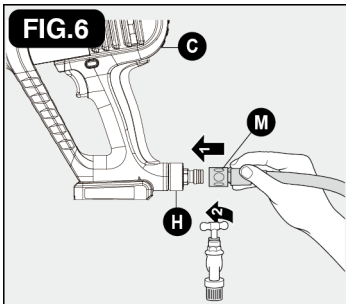
**Opmerking:** Spoel de tuinslang door voordat op de tuinslangadapter aan te sluiten.

De motorreiniger kan werken op water uit een watertank of andere bronnen. Neem altijd alleen schoon water in. Gebruik altijd de water aanzuigslangkit (F) en reinig de filter (G) regelmatig (AFB.5).



De motorreiniger kan ook werken op water uit een kraan. De adapter (M) voor tuinslang is meegeleverd in de doos (FIG.6).

Bevestig altijd een waterfilter tussen de slang adapter en de kraan om schade aan de stofzuiger te voorkomen.



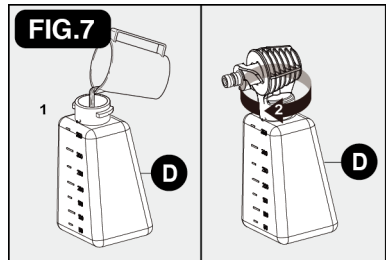
Je hebt nu de assemblage voltooid en bent klaar om te beginnen met het gebruik van uw reiniger.

Lees alle veiligheidsinstructies en neem ze in acht.

## INSTALLATIE VAN SCHUIMKANONNEN

Het schuimkanon wordt geleverd met een rietje dat dat in de hogedruktop wordt geplaatst. Als je het rietje ziet, kijk dan in het schuimkanon en bevestig het aan de hogedruktop. Wanneer schuimkanon gebruikt, vul het dan met een goed reinigingsmiddel of reinigingsmiddel met een water volgens de instructies op de verpakking.

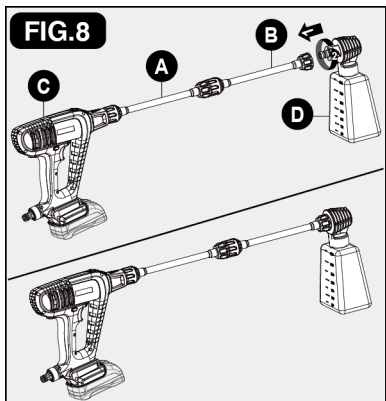
- **GEEN** dikke of gelachtige reinigingsmiddelen gebruiken omdat deze het schuimkanon verstopten en schade kunnen beschadigen.



Bevestig het schuimkanon (D) aan het uiteinde van lans (B) door het kanon op zijn plaats te drukken. Het zal een "klik"-geluid maken als het goed op zijn plaats zit. vastzit.

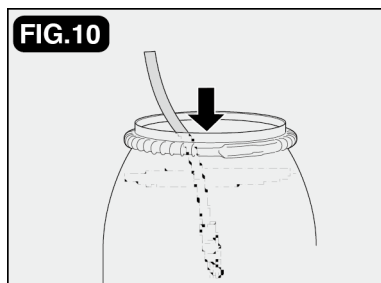
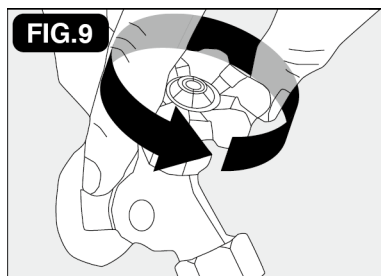
Opmerking: Vergrendel de trekkers altijd bij het verwisselen van het schuimkanon om ervoor te zorgen dat het niet wordt uitgeworpen met kracht.

- Wanneer het schuimkanon gebruikt wordt, gebruik dan een proper voorgeschreven detergent of reiniger tesamen met water tot aan de instructies van het waterreservoir.



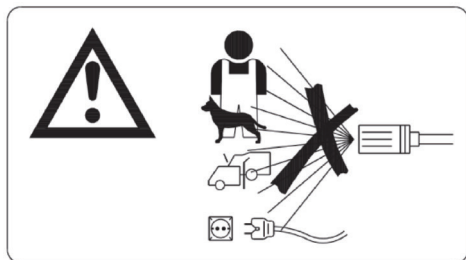
# GEBRUIKSAANWIJZING

Zorg ervoor dat u de veiligheidsvergrendelknop (J) om de trekker te vergrendelen.  
Zet de watertoevoer aan bij de kraan (AFB.9) of vul het waterreservoir met voldoende water om het waterfilter volledig te bedekken (AFB.10).



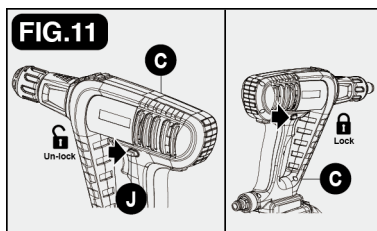
## ⚠ WARNING

De maximale zuighoogte van de van een watertank is 1 meter / 3,2 voet.

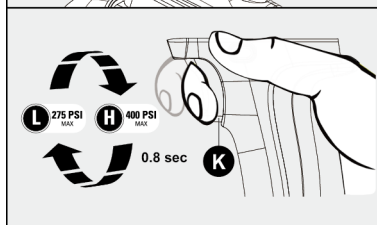
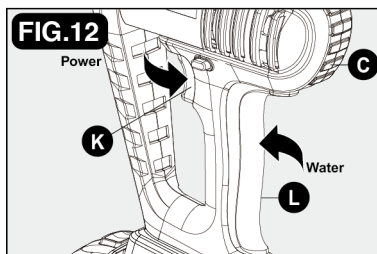


Druk op de vergrendelknop van de veiligheid (J) om de trekker (K) te ontgrendelen. Richt de stofzuiger in een veiligerichting, knijp de trekker (K) in om de motorreiner te starten en druk de watertrekker (L) in.

reiner te starten en druk op de watertrekker (L) om water in te zuigen tot er een constante stroom water is. Laat de motorreiner werken totdat alle lucht uit de zuigslang is afgevoerd.



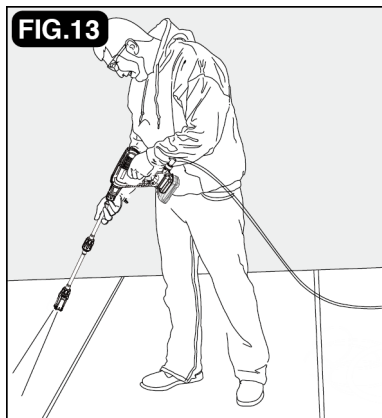
Knijp de trekkers (K) en (L) water in om de hogedrukreiniger te starten. Laat ze los om de hogedrukreiniger te stoppen. Laat het apparaat volledig tot stilstand komen voordat u ze opnieuw indrukt.



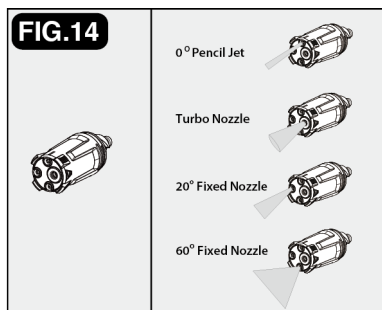


# GEBRUIKSAANWIJZING

Test altijd een klein oppervlak om de kans op beschadiging van het oppervlak te voorkomen.

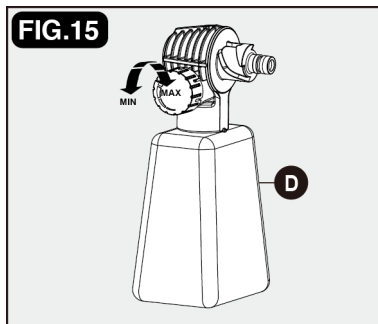


De machine wordt geleverd met een 4-in-1 mondstuk. De mondstukken zijn 0°, 20°, 60° en roterende turbo mondstuk. Draai om te wisselen tussen de sproeikoppen met de klok mee. Om de 4-in-1 spuitmond van de lans te verwijderen, draai je tegen de klok in en het los.



## ZEEPNIVEAUS AANPASSEN OP SCHUIMKANON

Draai aan de knop om het zeepniveau aan te passen zoals aangegeven op de bovenkant van de Foam Cannon (D). Draai naar de hogere concentratie van bellen voor meer zeep, of de tegenovergestelde richting voor minder.



## HOE SCHADE AAN OPPERVLAKKEN VOORKOMEN

Schade aan gereinigde oppervlakken ontstaat omdat de stootkracht van de water druk de duurzaamheid van het oppervlak.

Kaal hout kan worden doorboord, verf kan afbladderen, enz.

Je kunt de kracht van je stofzuiger variëren door

1. De hoek van het te reinigen oppervlak.
2. De afstand van de spuitmond tot het te reinigen oppervlak.

Gebruik nooit een smalle hogedrukstraal water op zachte oppervlakken die vatbaar zijn voor schade.

# BEDIENING

## 1. ACCU OPLADEN

De batterij wordt gedeeltelijk opgeladen geleverd. Om de volledige capaciteit van de batterij te garanderen, laadt u de batterij eerst volledig op in de batterijlader voor het eerste gebruik.

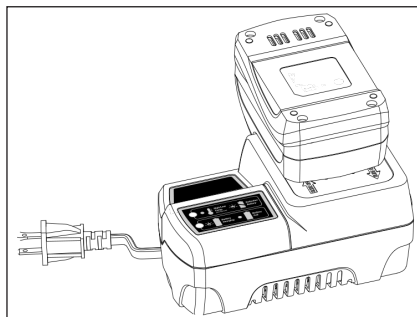
Een volledig ontladen accu laadt de DB-1850P in 50 minuten op bij een omgevingstemperatuur tussen 0 ° C (32 ° F) en 40 ° C (104 ° F).

1. Laad de lithium-ionbatterij op met de juiste oplader.
2. Sluit de oplader aan op een stopcontact.
3. Lijn de opstaande ribben van de accu uit met de sleuf in de oplader.
4. Schuif de accu op de oplader.
5. De oplader zal communiceren met de accu om de toestand van de accu te evalueren.
6. De LED-oplaadindicatoren knipperen van rechts naar links tijdens het opladen. Dit maakt deel uit van het normale oplaadproces.

7. Wanneer het laadproces is voltooid, blijft de groene LED-indicator branden en gaan de LED-oplaadindicatoren branden wanneer de aan / uit-knop wordt ingedrukt en de batterij op de oplader zit.

8. De accu wordt volledig opgeladen als hij op de oplader blijft, maar hij zal niet overladen.

**OPMERKING:** Voor uw gemak kan de oplader werken met de meeste generatoren en omvormers van 300 watt of meer.



# ONDERHOUD

Het gereedschap kan het beste worden gereinigd met droge perslucht. Draag altijd een veiligheidsbril bij het reinigen van gereedschap met perslucht.

Gebruik geen oplosmiddelen bij het reinigen van plastic onderdelen. De meeste kunststoffen zijn vatbaar voor beschadiging door verschillende soorten commerciële oplosmiddelen en kunnen worden beschadigd door het gebruik ervan. Gebruik schone lappen om vuil, stof, olie, vet enz. te verwijderen.

## VOOR ELK GEBRUIK

1. Controleer de schuurmachine, de aan/uit-schakelaar en de accessoires op beschadiging.
2. Controleer op beschadigde, ontbrekende of versleten onderdelen.

3. Controleer of er geen losse schroeven, verkeerde uitlijning of vastlopen van bewegende delen of andere omstandigheden zijn die de werking kunnen beïnvloeden.

4. In geval van abnormale trillingen of geluid moet het gereedschap onmiddellijk worden uitgeschakeld en moet het probleem worden verholpen voordat het wordt gebruikt.

5. Verwijder de batterij uit de slagmoersleutel voordat u deze reinigt of onderhoudt. Perslucht kan de meest effectieve reinigingsmethode zijn. Draag altijd een veiligheidsbril bij het reinigen van gereedschap met perslucht.

## SMERING

Alle lagers van dit gereedschap worden gesmeerd met voldoende smeermiddel van hoge kwaliteit voor de levensduur van de machine onder normale omstandigheden. Daarom is er geen extra smering nodig.

# VERZORGING EN ONDERHOUD

## DETERGENTEN

Gebruik schoonmaakmiddelen die bedoeld zijn voor reinigers.

Bouwmarkten of thuiswinkels hebben ook hebben schoonmaakmiddelen voor verschillende reinigingsprojecten.

De reinigungsoplossing moet de consistentie van water hebben om om verstopping van de wasmiddelfles en mondstuk te voorkomen, brengt dit systeem reinigungsmiddel onder lage druk.

De reinigungskracht van de reinigungsmiddelen wordt versterkt wanneer deze met lage druk en er wordt voldoende tijd om vuil af te breken.

De combinatie van lage druk en chemische werking is zeer effectief en kan beter zijn dan schrobben als het op de juiste manier wordt toegepast.

Altijd reinigungsmiddel op een droog oppervlak spuiten. Doe Laat het oppervlak niet voordrogen.

Het oppervlak eerst nat maken verdunt het reinigungsmiddel en vermindert het reinigungsvermogen.

Laat het reinigungsmiddel niet opdrogen op het oppervlak.

Op verticale oppervlakken die te reinigen, breng het reinigungsmiddel aan op de lagere oppervlakken werk naar boven om te voorkomen dat het reinigungsmiddel strepen in het vuil veroorzaakt.

Spoel het reinigungsmiddel door onder om dezelfde reden.

Als een vlek bijzonder hard is, kan het nodig zijn om het wasmiddel opnieuw aan te brengen. nodig zijn om opnieuw wasmiddel aan te brengen en een borstel te gebruiken om de vlek te schrobben.

Na het borstelen zou het schoonmaken succesvol moeten klus.

## REINIGINGSSPROEIERS

Een verstopt of gedeeltelijk verstopt mondstuk kan een aanzienlijke vermindering van de water druk die uit de sproeier komt en/of het apparaat pulseren tijdens het sproeien.

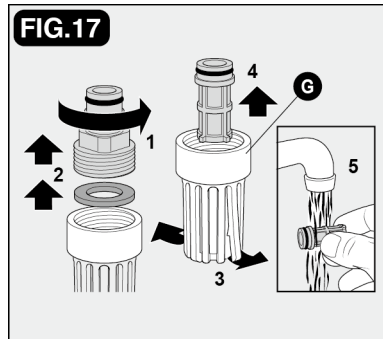
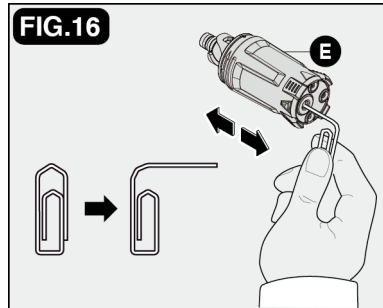
Schakel het apparaat uit.

Schakel de watertoevoer naar het apparaat uit.

Ontlast de druk in de slang door de trekker 2 - 3 keer in te knijpen en vervolgens vergrendel het pistool door op de knop te drukken om de positie.

Gebruik de bijgeleverde spuitmondstukreiniger (of een opgevouwen paperclip), steek de draad in het spuitmondopening en beweeg heen en weer totdat vuil loskomt.

Spoel water door de sproeiers met behulp van tuinslang en de hoogst mogelijke druk (gebruik een standaard watersproeier of duim over het mondstuk om water druk te creëren voor het terugspoelen).



## VERZORGING EN ONDERHOUD

### OPBERG

Wanneer je schoonmaaksessie is klaar bent. Schakel de watertoevoer uit. Trek trekker van het spuitpistool 2-3 seconden om het overtollige water af te voeren en overgebleven waterdruk te laten ontsnappen. Laat de motorreiniger niet werken zonder dat er water stromen.

Verwijder de lans uit het pistool. Bewaar alles in de verpakking.

Zorg ervoor dat u eventueel achtergebleven reinigingsmiddel uit de tank weggooit. Resterende chemicaliën blijven aan de tank kleven die verontreinigd kan raken en ervoor kan zorgen dat de reinigingsmiddelverstuiver verstopt raken en niet en niet goed werkt.

Spoel de tank en de sproeikop door met helder water om verstopping te voorkomen.

Verwijder de batterij.

Berg de motorreiniger NIET op een plaats op waar hij wordt blootgesteld aan vriestemperaturen.

Bewaar de motorreiniger binnenshuis om te voorkomen dat het water in het apparaat uitzet onder vriesomstandigheden.

Wanneer het water bevriest en uitzet, zal uw motorreiniger beschadigd en onbruikbaar worden.

FIG.18

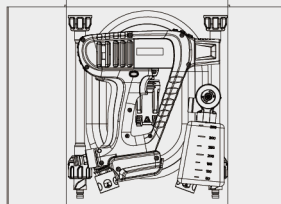
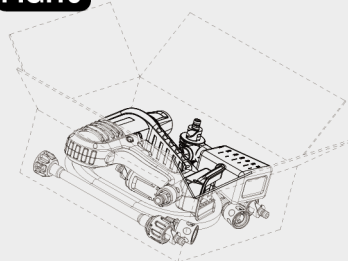


FIG.19



## ACCESSORIES

Non

## REPARATIE

PROBLEEM	CORRIGERENDE MAATREGEL
Stroomreiniger gaat niet aan	Controleer het batterijvolume door op de knop naast het aan/uit-lampje te drukken. indicatielampje. Controleer of het veiligheidsslot boven je duim is ingedrukt.
Er komt geen water uit het mondstuk	Zorg ervoor dat wanneer je de stroomtrekker overhaalt, je hand tegelijkertijd de tegelijkertijd in de watertrekker knijpt. Een volledige zelfaanzuigende lege slang duurt 30 seconden in de maximale stand. Als de water watertoevoerslang is aangesloten op kraanwater, zal dit de tijd verkorten.
De zelfaanzuigende goed en het gereedschap correct klinken	Zorg ervoor dat de tuinslangadapter goed is aangesloten op het scherm binnenin. Duw de connectors aan beide uiteinden van de slang naar de tuinslangadapter en het tuinslangfilter om ervoor te zorgen dat ze goed vastzitten. Het filtersysteem van de tuinslang moet zich onder het waterniveau bevinden. Controleer de aanzuighoogte vanaf de waterbron. Verwijder knikken in de slang. Maak het waterfilter.
Kan geen 2X energiemodus krijgen schakelen door te dubbelklikken op de vermogen trekker	Zorg ervoor dat de dubbele klik van de powertrigger binnen 0,8 seconden plaatsvindt.

## MILIEUBESCHERMING



1. Gereedschap, accessoires en verpakking moeten worden gesorteerd voor milieuvriendelijke recycling.
2. Elektrisch gereedschap en accessoires bevatten aan het einde van hun levensduur nog grote hoeveelheden waardevolle grondstoffen en kunststoffen die ook weer in een recyclingproces kunnen worden teruggevoerd.
3. Bepaald stof die door het werk ontstaat, bevat schadelijke chemicaliën die moeten worden verzameld door een speciale vuilnisophaaldienst.
4. betreffende afgedankte elektrische en elektronische apparatuur en batterijen en accu's Accumulatoren en hun uitvoering in overeenstemming met de nationale wetgeving, moeten elektrische apparaten en batterijen en batterijpack(s) die het einde van hun levensduur hebben bereikt, apart worden ingezameld en ingeleverd bij een milieuvriendelijke recyclinginstallatie.

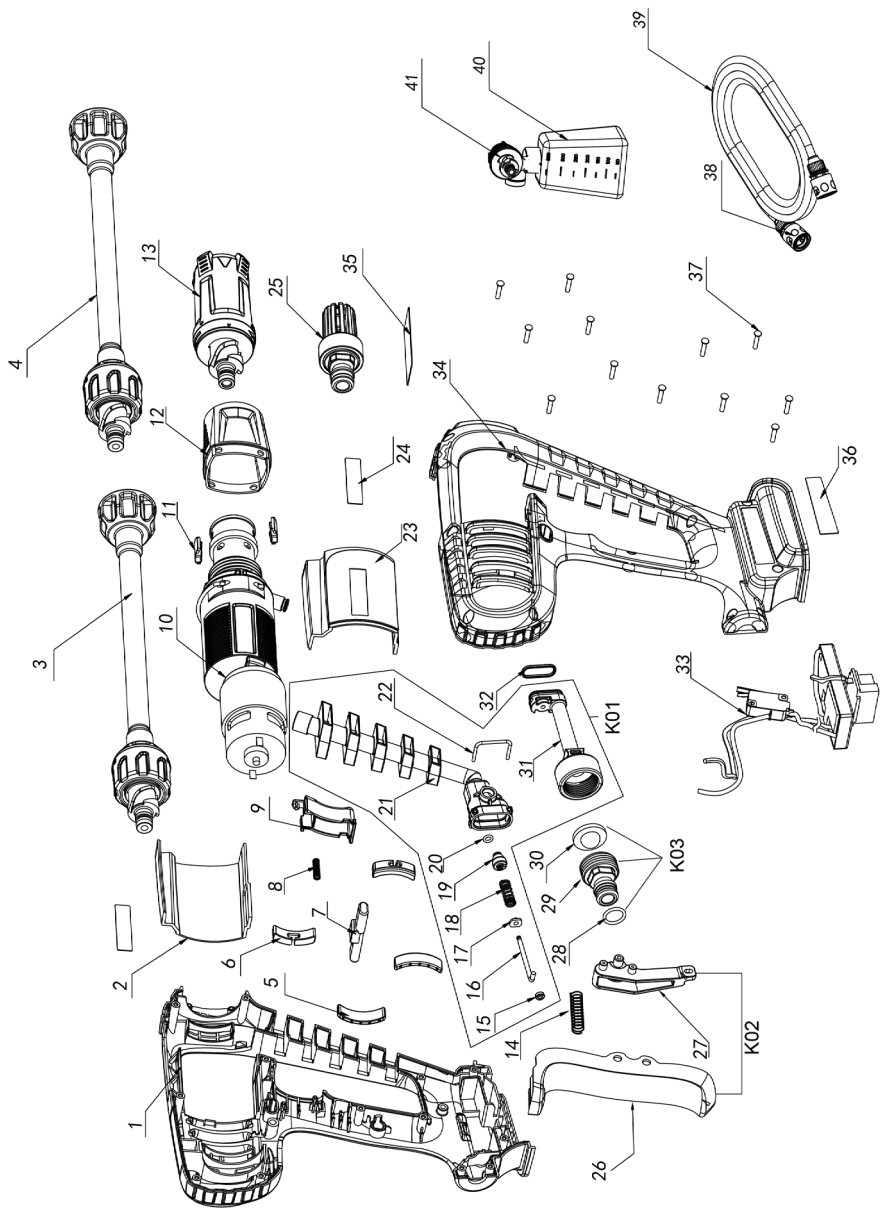
### Onderhouden

1. Neem in geval van garantie, reparatie of aankoop van vervangende onderdelen altijd contact op met het gekwalificeerde servicecentrum. Graag leveren met het efficiënte serviceformulier en factuur.
2. Het valt buiten de garantie als het gereedschap vanwege normale slijtage, overbelasting of onjuist gebruik of beschadiging buiten werking is geraakt.



# Draadloos hogedrukreinigingspistool

Referentie artikel : DPW-101



# Losse stukken

## DPW-101

NO.	INDEX NO.	DESCRIPTION	D'TY
1	DPW-101T01	Right & Left housing ( 01,34)	1 SET
2	DPW-101P02	Decorative-left	1
3	DPW-101P03	Lance A	1
4	DPW-101P04	Lance B	1
5	DPW-101T05	Rubber pad for motor ( 2PCS )	1 SET
6	DPW-101T06	Rubber pad for pump head ( 2PCS )	1 SET
7	DPW-101P07	Trigger lock	1
8	DPW-101P08	Spring-small trigger	1
9	DPW-101P09	Trigger	1
10	DPW-101P10	Motor Pump Kit	1
11	DPW-101T11	Plug ( 2PCS )	1 SET
12	DPW-101P12	Decorative-front	1
13	DPW-101P13	4 in 1 nozzle	1
14	DPW-101P14	Trigger spring	1
15	DPW-101P15	O-ring Ø2.8*1.9	1
16	DPW-101P16	Gun valve-pin	1
17	DPW-101P17	core washer	1
18	DPW-101P18	Gun valve spring	1
19	DPW-101P19	Gun valve core	1
20	DPW-101P20	O-ring Ø3*1.5	1
21	DPW-101P21	Gun valve body	1
22	DPW-101P22	U-pin for gun valve	1
23	DPW-101P23	Decorative-right	1
24	DPW-101T24	Logo laber ( 2PCS )	1 SET
25	DPW-101P25	Suction connector kit	1
26	DPW-101P26	Big trigger	1
27	DPW-101P27	Trigger bracket	1
28	DPW-101P28	O-ring 11*2.5	1

NO.	INDEX NO.	DESCRIPTION	D'TY
29	DPW-101P29	Inlet connector	1
30	DPW-101P30	Water connector filter	1
31	DPW-101P31	body plug	1
32	DPW-101P32	O-ring Ø16*1.7	1
33	DPW-101P33	PCB kit	1
34	DPW-101P34	Left housing	1
35	DPW-101P35	Shift label	1
36	DPW-101P36	Name plate	1
37	DPW-101T37	Screw(ST3*14) ( 13PCS )	1 SET
38	DPW-101T38	Quick connector for slim hos ( 2PCS )	1 SET
39	DPW-101P39	Slim water inlethose kit (12mm*4M )	1
40	DPW-101P40	DETERGENT BOTTLE	1
41	DPW-101P41	foam nozzle	1
K01	DPW-101K01	Gun valve body Assembly ( 15~22,31 )	1 SET
K02	DPW-101K02	Big trigger Assembly ( 26,27 )	1 SET
K03	DPW-101K03	Inlet connector Assembly ( 28,29,30 )	1 SET

# Garantiebewijs

## Beperkte fabrieksgarantie

**Mighty Seven International Co., LTD.** biedt een beperkte garantie op producten vervaardigd door **Mighty Seven** die over de hele wereld verkocht worden door zijn erkende dealers.

De beperkte garantie is alleen van toepassing op producten waarvan het materiaal en de fabricage defect zijn en is niet van toepassing op producten die misbruikt zijn.

Als een **Mighty Seven**-product defect is, stuur het dan terug naar de dealer waar het is gekocht, onder vermelding van uw contactgegevens.

Reparaties of vervangingen zijn gegarandeerd zoals hierboven beschreven; anders wordt de reparatie- of vervangingservice in rekening gebracht.

## Gelieve dit garantiebewijs bewaren

<b>Aankoopdatum</b>	<b>Artikelnummer</b>
<b>Verlooptdatum garantie</b>	<b>Serienummer</b>
<b>Stempel van de detailhandelaar</b>	
	

Aankoopdatum :	Artikelnummer :
Verlooptdatum garantie :	Serienummer :
Naam :	
Naam van het bedrijf :	
Adres :	
Telefoon :	Fax:
E-Mail:	
<b>Bedrijfssector :</b>	
<input type="checkbox"/> Landbouw	<input type="checkbox"/> Lak-en carrossiereparatie
<input type="checkbox"/> Algemene autoreparatie	<input type="checkbox"/> Openbare werken / Openbare diensten
<input type="checkbox"/> Banden	<input type="checkbox"/> Fabriek
<input type="checkbox"/> Onderhoud/reparatie van vrachtwagens	<input type="checkbox"/> Huishoudelijk gebruik
<input type="checkbox"/> Autofabrikant	<input type="checkbox"/> Overig









[www.mighty-seven.com](http://www.mighty-seven.com)