

45-7 Handy, 3-jaw industrial puller with power-transmitting and 3-jaw self-centering jaws



DESCRIPTION

The handy, 3-jaw industrial puller with power-transmitting and self-centering jaws is used for pulling bearings, gears and washers in all common sizes for trade, workshop and industry. It can be used to remove any component that sits on a shaft and is freely accessible from the outside. When the spindle pressure is built up, the jaws connected to each other grip the part to be pulled tighter and tighter. The 3-jaw design guarantees even load distribution and therefore a particularly secure hold on the part to be removed.

APPLICATION AREA

For pulling off bearings, gears and pulleys

BENEFIT

- Self-centering of the legs by manually tightening the Spindle (Autogrip Technology)
- Secure positioning of the Spindle thanks to the rotatable spindle tip, both on smooth surfaces and when centering (Switch Technology)
- 3-jaw design ensures even force distribution and enables greater pulling power
- Anti-slip guard on the spindle head for safe working with wrench
- Spindle riser protects the threading

OPERATION

- Place the puller leg on the part to be removed from the outside
- Swivel the claws under the component
- Pull the spindle manually under pressure to fix it
- Move the hexagon on the spindle head with a ratchet or combination wrench until the component is released

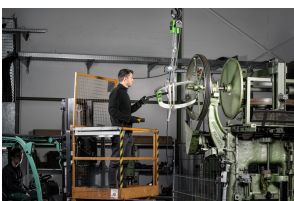
MASTER DATA

GTIN [EAN]	4021176821646
Country of origin	DE
Case material	Tool steel
Series	45
Gross weight [kg]	15,75 kg
Package contents	1 piece
Packaging Act	PAP 21
Global sales capability given	Yes

SPARE PARTS

- 45-4-T_Traverse
- 45-7-350-S_3 Hook (Set)
- 45-7-206_Spindle with bushing
- 633370_Two-sided spindle tip

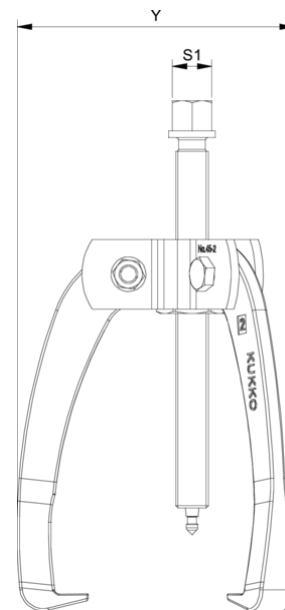
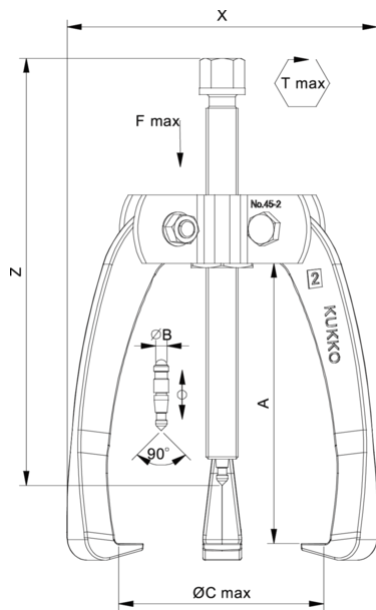
APPLICATION IMAGE



DETAIL IMAGE

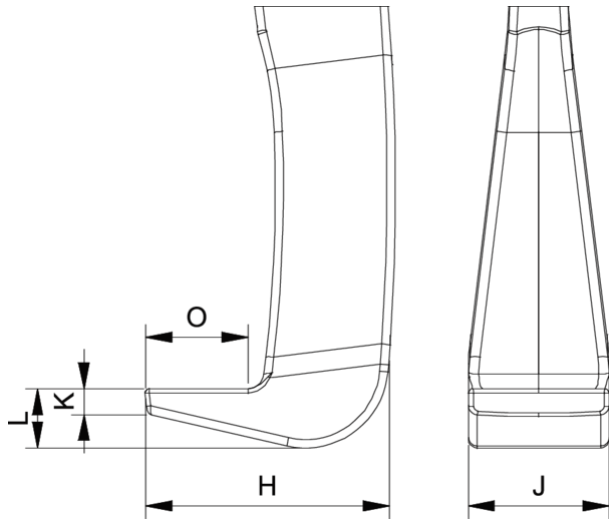


Handy, 3-jaw industrial puller with power-transmitting and 3-jaw self-centering jaws



Abbreviation	Attribut	Wert
X	Total width [mm]	370 mm
Y	Total depth [mm]	370 mm
Z	Total height [mm]	570 mm
A	Clamping depth outside pull-off [mm]	380 mm
S1	Width across flats [mm]	36 mm
Cmin	Span outside pull-off (min.) [mm]	40 mm
Cmax	Span outside pull-off (max.) [mm]	450 mm
K	Hook root thickness at the tip (claw thickness K) [mm]	4 mm
J	Hook base width (claw width J) [mm]	32 mm
O	Hook base depth usable (claw depth usable O) [mm]	31 mm
H	Total hook root depth (total claw depth H) [mm]	64 mm
L	Total claw thickness (L+1mm) (claw distance to base surface) [mm]	27 mm
Tmax	Max. torque [Nm]	400 Nm
Fmax	Max. tractive force [t]	12 t
Fmax	Max. tensile force [kN]	120 kN

Abbreviation	Attribut	Wert
X	Total width [mm]	370 mm
Y	Total depth [mm]	370 mm
Z	Total height [mm]	570 mm
A	Clamping depth outside pull-off [mm]	380 mm
S1	Width across flats [mm]	36 mm
Cmin	Span outside pull-off (min.) [mm]	40 mm
Cmax	Span outside pull-off (max.) [mm]	450 mm
K	Hook root thickness at the tip (claw thickness K) [mm]	4 mm
J	Hook base width (claw width J) [mm]	32 mm
O	Hook base depth usable (claw depth usable O) [mm]	31 mm
H	Total hook root depth (total claw depth H) [mm]	64 mm
L	Total claw thickness (L+1mm) (claw distance to base surface) [mm]	27 mm
Tmax	Max. torque [Nm]	400 Nm
Fmax	Max. tractive force [t]	12 t
Fmax	Max. tensile force [kN]	120 kN



Abbreviation	Attribut	Wert
X	Total width [mm]	370 mm
Y	Total depth [mm]	370 mm
Z	Total height [mm]	570 mm
A	Clamping depth outside pull-off [mm]	380 mm
S1	Width across flats [mm]	36 mm
Cmin	Span outside pull-off (min.) [mm]	40 mm
Cmax	Span outside pull-off (max.) [mm]	450 mm
K	Hook root thickness at the tip (claw thickness K) [mm]	4 mm
J	Hook base width (claw width J) [mm]	32 mm
O	Hook base depth usable (claw depth usable O) [mm]	31 mm
H	Total hook root depth (total claw depth H) [mm]	64 mm
L	Total claw thickness (L+1mm) (claw distance to base surface) [mm]	27 mm
Tmax	Max. torque [Nm]	400 Nm
Fmax	Max. tractive force [t]	12 t
Fmax	Max. tensile force [kN]	120 kN