

# EBM.36+LP/P-18V

**EUROBOOR**

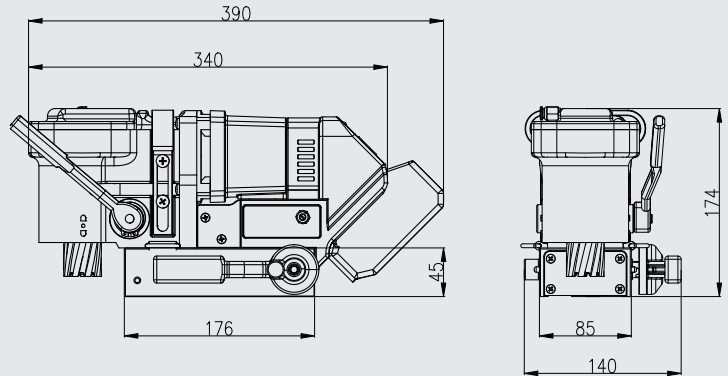
FOR PROFESSIONALS BY PROFESSIONALS

## Cordless magnetic drilling machine

### Technical data

	Metric	Imperial
Annular cutting	Ø 12 - 36 mm	Ø 7/16" - 1 7/16"
Twist drilling	Ø 1 - 13 mm	Ø 1/16" - 1/2"
Countersinking	Ø 10 - 40 mm	Ø 3/8" - 1 9/16"
Length	340 mm	13 13/8"
Width	140 mm	5 1/2"
Height	174 mm	6 7/8"
Stroke	40 mm	1 9/16"
Weight (incl. batt)*	11.3 kg	24.9 lbs
Magnet (l x w x h)	176 x 85 x 45 mm	6 15/16" x 3 3/4" x 1 3/4"
Magnetic force	650 kg	1,433 lbs
Min. material thickness	6 mm	1/4"
Motor power	1,000 W	
Total power	1,000 W	
Speed (no load)		270 - 430 rpm
Spindle (Weldon)	19.05 mm	3/4"
Battery capacity		18 V 5 Ah Li-ion, 18 V 9 Ah Li-ion

\* Without handles



### Features



**Overload protection**



**Overheat protection**



**Adjustable speed**



**Gyro-Tec**



**Integrated motor cable**



**Permanent magnet**



**Brushless motor**



**Magnet LED-indicator (SensorTec)**



**Battery operated**



**Makita LXT 18V platform**

### Accessories



Battery 5Ah 18V  
EB.18V-5A



Battery 9Ah 18V  
EB.18V-9A



Charger  
EBC1



Euroboor makes every effort to meet quality and integrity requirements. That is why we as an organization are proud of the recognition of some leading organizations worldwide:



Battery not included.

[www.euroboor.com](http://www.euroboor.com)