

GERNERAL SAFETY RULES

INTENDED USE

The machine is intended for blowing dust.

GERNERAL POWER TOOL SAFETY WARNINGS

WARNING

Read all safety warnings, instructions, illustrations and specifications provided with this power tool.

Failure to follow the warnings and instructions may result in electric shock, fire and / or serious injury.

Save all warnings and instructions for future reference.

The term “power tool” in the warnings refers to your mains-operated (corded) power tool or battery-operated (cordless) power tool.

WORK AREA SAFETY

1. **Keep the work area clean and well lit.** Cluttered or dark areas invite accidents.
2. **Do not operate power tools in explosive atmospheres, such as in the presence of flammable liquids, gases or dust.** Power tools create sparks which may ignite the dust or fumes.
3. **Keep children and bystanders away while operating a power tool.** Distractions can cause you to lose control.

ELECTRICAL SAFETY

1. **Power tool plugs must match the outlet. Never modify the plug in any way. Do not use any adapter plugs with earthed (grounded) power tools.** Unmodified plugs and matching outlets will reduce risk of electric shock.
2. **Avoid body contact with earthed or grounded surfaces such as pipes, radiators, ranges and refrigerators.** There is an increased risk of electric shock if your body is earthed or grounded.
3. **Do not expose power tools to rain or wet conditions.** Water entering a power tool will increase the risk of electric shock.

4. **Do not abuse the cord. Never use the cord for carrying, pulling or unplugging the power tool. Keep the cord away from heat, oil, sharp edges or moving parts.** Damaged or entangled cords increase the risk of electric shock.
5. **When operating a power tool outdoors, use an extension cord suitable for outdoor use.** Use of a cord suitable for outdoor use reduces the risk of electric shock.
6. **If operating a power tool in a damp location is unavoidable, use a ground-fault circuit interrupter (RCD) protected supply.** Use of a RCD reduces the risk of electric shock.

PERSONAL SAFETY

1. **Stay alert, watch what you are doing and use common sense when operating a power tool. Do not use the tool while tired or under the influence of drugs, alcohol, or medication.** A moment of inattention while operating power tools may result in serious personal injury.
2. **Use personal protective equipment. Always wear eye protection.** Protective equipment such as a dust mask, non-skid safety shoes, hard hat, or hearing protection, used for appropriate conditions, will reduce personal injuries.
3. **Prevent unintentional starting. Ensure that the switch is in the off-position before connecting to a power source and/or battery pack, picking up or carrying the tool.** Carrying power tools with your finger on the switch or energizing power tools that have the switch on invites accidents.
4. **Remove any adjusting key or wrench before turning the power tool on.** A wrench or a key left attached to a rotating part of the power tool may result in personal injury.
5. **Do not overreach. Keep proper footing and balance at all times.** This enables better control of the power tool in unexpected situations.

GERNERAL SAFETY RULES

6. **Dress properly. Do not wear loose clothing or jewelry. Keep your hair, clothing and gloves away from moving parts.** Loose clothes, jewelry or long hair can be caught in moving parts.
7. **If devices are provided for the connection of dust extraction and collection facilities, ensure that these are connected and properly used.** Use of these devices can reduce dust-related hazards.
8. **Do not let familiarity gained from frequent use of tools allow you to become complacent and ignore tool safety principles.** A careless action can cause severe injury within a fraction of a second.

POWER TOOL USE AND CARE

1. **Do not force the power tool. Use the correct power tool for your application.** The correct power tool will do the job better and more safely at the rate for which it was designed.
2. **Do not use the power tool if the switch does not turn it on and off.** Any power tool that cannot be controlled with the switch is dangerous and must be repaired.
3. **Disconnect the plug from the power source and/or the battery pack from the power tool before making any adjustments, changing accessories, or storing power tools.** Such preventive safety measures reduce the risk of starting the power tool accidentally.
4. **Store idle power tools out of the reach of children and do not allow persons unfamiliar with the power tool or these instructions to operate the power tool.** Power tools are dangerous in the hands of untrained users.
5. **Maintain power tools. Check for misalignment or binding of moving parts, breakage of parts and any other condition that may affect the power tool's operation. If damaged, have the power tool repaired before use.** Many accidents are caused by poorly maintained power tools.
6. **Keep cutting tools sharp and clean.** Properly maintained cutting tools with sharp cutting edges are less likely to bind and are easier to control.
7. **Use the power tool, accessories, tool**

bits, etc. in accordance with these instructions, taking into account the working conditions and the work to be performed. Use of the power tool for operations different from those intended could result in a hazardous situation.

8. **Keep handles and grasping surfaces dry, clean and free from oil and grease.** Slippery handles and grasping surfaces do not allow for safe handling and control of the tool in unexpected situations.

BATTERY TOOL USE AND CARE

1. **Recharge only with the charger specified by the manufacturer.** A charger that is suitable for one type of battery pack may create a risk of fire when used with another battery pack.
2. **Use power tools only with specifically designated battery packs.** Use of any other battery packs may create a risk of injury and fire.
3. **When battery pack is not in use, keep it away from other metal objects, like paper clips, coins, keys, nails, screws or other small metal objects that can make a connection from one terminal to another.** Shorting the battery terminals together may cause burns or a fire.
4. **Under abusive conditions, liquid may be ejected from the battery; avoid contact. If contact accidentally occurs, flush with water. If liquid contacts eyes, additionally seek medical help.** Liquid ejected from the battery may cause irritation or burns.
5. **Do not use a battery pack or tool that is damaged or modified.** Damaged or modified batteries may exhibit unpredictable behaviour resulting in fire, explosion or risk of injury.
6. **Do not expose a battery pack or tool to fire or excessive temperature.** Exposure to fire or temperature above 130 °C may cause explosion (temperature „265 °F“).
7. **Follow all charging instructions and do not charge the battery pack or tool outside the temperature range specified in the instructions.** Charging improperly or at temperatures outside the specified range may damage the battery and increase the risk of fire.



The battery pack will need to be recharged before use.

GENERAL SAFETY RULES

IMPORTANT READ CAREFULLY BEFORE USE. KEEP FOR FUTURE REFERENCE.

Safe operating practices for handheld leaf blower.

TRAINING

1. Read the instructions carefully. Become familiar with the controls and the correct use of the machine.
2. Never allow children or people unfamiliar with these instructions to use the machine. Local regulations can restrict the age of the operator.
3. Keep in mind, that the operator or user is responsible for accidents or hazards occurring to other people or their property.
2. Keep your face and body away from the feed intake opening.
3. Do not allow hands or any other part of the body or clothing inside the feeding chamber, discharge chute, or near any moving part.
4. Keep proper balance and footing at all times. Do not overreach. Never stand at a higher level than the base of the machine when feeding material into it.
5. Always stand clear of the discharge zone when operating this machine.
6. When feeding material into the machine be extremely careful that pieces of metal, rocks, bottles, cans or other foreign objects are not included.

PREPARATION

1. Get yourself ear protection and safety glasses.
2. While operating the machine always wear substantial footwear and long trousers. Do not operate the machine when barefoot or wearing open sandals. Avoid wearing clothing that is loose fitting or that has hanging cords or ties.
3. Do not wear loose clothing or jewellery that can be drawn into the air inlet. Keep long hair away from the air inlets.
4. Operate the machine in a recommended position and only on a firm, level surface.
5. Do not operate the machine on a paved or gravel surface where ejected material could cause injury.
6. Before using, always visually inspect to see, that the shredding means, bolts and other fasteners are secure, the housing is undamaged and that guards and screens are in place. Replace worn or damaged components in sets to preserve balance. Replace damaged or unreadable labels.
7. Never operate the machine while people, especially children, or pets are nearby.
7. If the cutting mechanism strikes any foreign objects or if the machine should start making any unusual noise or vibration, immediately shut off the power source and allow the machine to stop. Disconnect the machine from the supply and take the following steps before restarting and operating the machine:
 - a. inspect for damage;
 - b. replace or repair any damaged parts;
 - c. check for and tighten any loose parts.
8. Do not allow processed material to build up in the discharge zone; this may prevent proper discharge and can result in kickback of material through the intake opening.
9. If the machine becomes clogged, shut-off the power source and disconnect the machine from supply before cleaning debris.
10. Never operate the machine with defective guards or shields, or without safety devices, for example debris collector in place.
11. Keep the power source clean of debris and other accumulations to prevent damage to the power source or possible fire.

OPERATION

1. Before starting the machine, make certain that the feeding chamber is empty.
12. Do not transport this machine while the power source is running.
13. Do not tilt the machine while the power source is running.

GENERAL SAFETY RULES

MAINTENANCE AND STORAGE

1. When the machine is stopped for servicing, inspection, or storage, or to change an accessory, shut off the power source, disconnect the machine from the supply and make sure that all moving parts have come to a complete stop. Allow the machine to cool before making any inspections, adjustments, etc. Maintain the machine with care and keep it clean.
2. Store the machine in a dry place out of the reach of children.
3. Always allow the machine to cool before storing.
4. Replace worn or damaged parts for safety. Use only genuine replacement parts and accessories.
5. Never attempt to override the interlocked feature of the guard.

GERNERAL SAFETY RULES

SERVICE

1. **Have your power tool serviced by a qualified repair person using only identical replacement parts.** This will ensure that the safety of the power tool is maintained.
2. **Never service damaged battery packs.** Service of battery packs should only be performed by the manufacturer or authorized service providers.

RESIDUAL RISK

Use personal protective equipment.

1. High sound levels may cause hearing damage. Always wear hearing protector when operating this tool.

2. Wearing eye/face protection can reduce the danger of high-speed socket being ejected from the tool, due to improper socket insertion during operation.
3. Test run the tool to confirm the rotation direction before practical use. This will reduce the potential hazard due to unexpected rotating direction.
4. Prolonged use will cause user fatigue. Periodic breaks are recommended for user safety.
5. Avoid storing this tool where it is subject to high humidity.
6. Prevent vibration and using wrench in a short time. Should wear vibration-absorbing gloves and watch out no loosen parts of gloves to prevent entanglement by wrench.


SAFETY INSTRUCTIONS

The purpose of safety symbols is to attract your attention to possible dangers. The safety symbols and the explanations with them deserve your careful attention and understanding. The symbol warnings do not, by themselves, eliminate any danger. The instructions and warnings they give are no substitutes for proper accident prevention measures.

WARNING

Be sure to read and understand all safety instructions in this manual, including all safety alert symbols such as “DANGER,” ”WARNING,” and “CAUTION” before using this tool. Failure to following all instructions listed below may result in electric shock, fire, and/or serious personal injury.

SYMBOL MEANING

 **SAFETY ALERT SYMBOL:** Indicates DANGER, WARNING, OR CAUTION. May be used in conjunction with other symbols or pictographs.

DANGER indicates an imminently hazardous situation which, if not avoided, will result in death or serious injury.

WARNING indicates a potentially hazardous situation which, if not avoided, could result in death or serious injury.

CAUTION indicates a potentially hazardous situation which, if not avoided, may result in minor or moderate injury.








WARNING

Read all safety warnings designated by the  symbol and all instructions.









SAFETY SYMBOLS





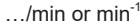
Some of these following symbols may be used on this tool. Please study them and learn their meaning. Proper interpretation of these symbols will allow you to operate the tool better and more safely.

Dangerous Location	Precaution	Marking Label
Using Cordless Leaf Blower	Electrostatic discharge devices that may be dangerous to persons bearing pacemakers. If the relative humidity is lower than 20%, please use static eliminator to depress electrostatic phenomenon to prevent the electric shock hazard by electrostatic.	
Using Cordless Leaf Blower	Eyes protection with safety glass	
Using Cordless Leaf Blower	Read the instruction manual carefully before proceeding with start-up, operation, maintenance, or any other jobs on the tool.	
Using Cordless Leaf Blower	Ears protection	
Using Cordless Leaf Blower	Prevent vibration and using wrench in a short time. Should wear vibration-absorbing gloves and watch out no loosen parts of gloves to prevent entanglement by wrench.	
Using Cordless Leaf Blower	gloves and a dust mask, must be	
Using Cordless Leaf Blower	The device must not be exposed to rain or immersed in water.	

SAFETY SYMBOLS

<p>Using Cordless Leaf Blower</p>	<p>Do not allow any part of the device to come into contact with flames, or to catch fire.</p>	
<p>Using Cordless Leaf Blower</p>	<p>Do not expose battery pack or tool to fire or excessive temperatures.</p>	
<p>Using Cordless Leaf Blower</p>	<p>This symbol is used throughout this manual to warn the user about potential risks. Please read & understand these sections before using the device.</p>	
<p>Using Cordless Leaf Blower</p>	<p>Do not expose to rain</p>	
<p>Using Cordless Leaf Blower</p>	<p>Keep bystanders away</p>	
<p>Using Cordless Leaf Blower</p>	<p>Danger due to ejected parts! Keep other people away</p>	

SAFETY SYMBOLS

Using Cordless Leaf Blower	The guaranteed sound power level shown on this label is 96 dB.	
Direct Current	Type Or Characteristic Of Current	
No-load Speed	Rotational Speed At No Load	
Class II Construction	Double Insulated Construction	
Per Minute	Revolutions, Strokes, Surface Speed Orbits, etc., Per Minute	

⚠ WARNING To ensure safety and reliability, all repairs should be performed by a qualified service technician.

SPECIFIC SAFETY RULES

SPECIFIC SAFETY WARNINGS:

1. Use only with the chargers and batteries listed below:

Battery Pack	Charger
DB-1850P	DC-18A

WARNING

For use only with  Li-Ion battery pack.

For use only with  battery charger.

2. Always wear safety goggles and ear protector when using this tool.
3. Prevent vibration and using wrench in a short time. Should wear vibration-absorbing gloves and watch out no loosen parts of gloves to prevent entanglement by wrench.
4. Ensure the switch is in the off position before inserting battery pack. Inserting the battery pack into power tools that have the switch on invites accidents.
5. Check the impact socket carefully for wear, cracks or damage before installation.
6. Bit, sockets and tools get hot during operation. Wear gloves when touching them after use.
7. Remove the battery pack before changing accessories. Accidental starting may occur, because battery appliances with a battery inserted are in the operative condition. Switch is off before attaching the battery pack.

WARNING

Some dust created by power sanding, sawing, grinding, drilling and other construction activities contains chemicals known to cause cancer, birth defects or other reproductive harm. Some examples of these chemicals are:

- Lead from lead-based paints
- Crystalline silica from bricks and cement and other masonry products, and
- Arsenic and chromium from chemically-treated lumber.

Your risk from these exposures varies, depending on how often you do this type of work. To reduce your exposure to these chemicals: work in a well ventilated area, and work with approved safety equipment, such as those dust masks that are specially designed to filter out microscopic particles.

SAFETY RULES FOR CHARGER

1. Before using battery charger, read all instructions and cautionary markings in this manual and on the battery charger, the battery and the product using the battery to prevent misuse of the products and possible injury or damage.

CAUTION

To reduce the risk of electric shock or damage to the charger and battery, charge only those lithium-ion rechargeable batteries as specially designated on your charger's label. Other types of batteries may burst, causing personal injury or damage.

2. Do not use the charger outdoors or expose it to wet or damp conditions. Water entering the charger will increase the risk of electric shock.
3. Use of an attachment not recommended or sold by the battery-charger manufacturer may result in a risk of fire, electric shock or injury to persons.
4. Do not abuse the cord or charger. Never use the cord to carry the charger. Do not pull the charger cord to disconnect the plug from receptacle. Damage to the cord or charger could occur and create an electric shock hazard. Replace damaged cords immediately.
5. Make sure that the cord is located so that it will not be stepped on, tripped over, come in contact with sharp edges or moving parts, or otherwise subjected to damage or stress. This will reduce the risk of accidental falls, which could cause injury and damage to the cord, which could then result in electric shock.
6. Keep cord and charger from heat to prevent damage to housing or internal parts.
7. Do not allow gasoline, oils, petroleum-based products, etc. to come in contact with plastic parts. These materials contain chemicals that can damage, weaken, or destroy plastic.
8. An extension cord should not be used unless absolutely necessary. Use of an improper extension cord could result in a risk of fire and electric shock. If an extension cord must be used, make sure that:

The pins on plug of extension cord are the same number, size and shape as those of the plug on charger.
The cord is properly wired and in good electrical condition
The size is large enough for AC ampere rating of charger as specified below:
The Cord Length (Feet) 25' 50' 100'
Cord Size (AWG) **16 (AWG)**
NOTE: AWG = American Wire Gauge
9. Do not operate the charger with a damaged cord or plug, which could cause shorting and electric shock. If damaged, have the charger repaired or replaced by an authorized service technician at **m7 Service Center**.
10. Do not operate the charger if it has received a sharp blow, been dropped, or has otherwise been damaged in any way. Take it to an authorized service technician at **m7 Service Center** for an electrical check to determine if the charger is in good working order.
11. Do not disassemble the charger. Take it to an authorized service technician at a **m7 Service Center** when service or repair is required. Incorrect reassembly may result in a risk of electric shock or fire.
12. Unplug the charger from the electrical outlet before attempting any maintenance or cleaning to reduce the risk of electric shock.
13. Disconnect charger from the power supply when not in use. This will reduce the risk of electric shock or damage to the charger if metal items should fall into the opening. It will also help prevent damage to the charger during a power surge.
14. Risk of electric shock. Do not touch the uninsulated portion of output connector or uninsulated battery terminal.

15. Save these instructions. Refer to them frequently and use them to instruct others who may use this tool. If you lend this tool to someone else, also lend these instructions to them to prevent misuse of the product and possible injury.

 **WARNING**

Some dust created by power Cutting contains chemicals known to cause cancer, birth defects or other reproductive harm. Some examples of these chemicals are:

■ lead from lead-based paints
lead from lead-based paints

■ Arsenics and chromium from chemically reacted lumber.
reacted lumber.

Your risk from these exposures varies, depending on how often you do this type of work. To reduce your exposure to these chemicals: work in a well ventilated area, and work with approved safety equipment.

GENERAL INFORMATION

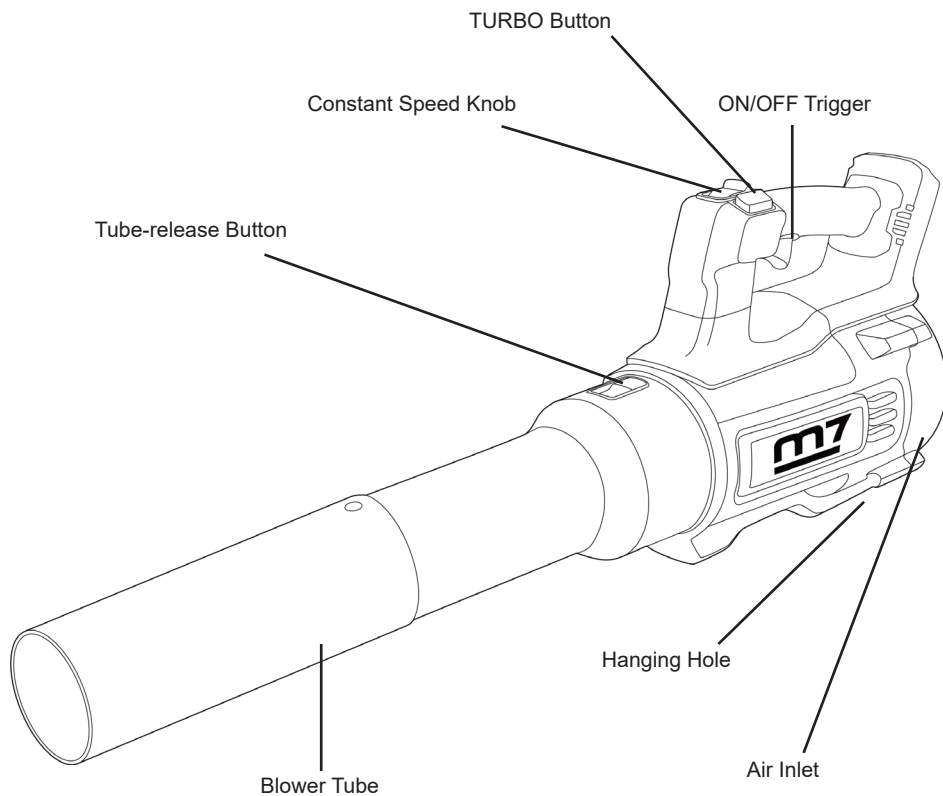
1. The serial number of Mighty Seven would have year in 2nd/3rd digital number and months showed by 4th/5th digital number.

FUNCTIONAL DESCRIPTION

OPERATING CONTROL

 The machine is intended for blowing dust.

1. Main Parts of DLB-102



SPECIFICATIONS

2. TOOL SPECIFICATIONSNOTE:

Model	DLB-102
Li-Ion Battery Pack	DB-1850P (5.0 Ah)
Charger	220-240V~
Allowable temperature range (°C)	0-40
Rated Voltage	18Vd.c. (18)
No Load speed (min⁻¹)	7100-11600 min⁻¹ \ 14000 min⁻¹
Air Speed Max.	22.5-37.5 m/s \ 45 m/s
Air Volume	230-380 cfm \ 460 cfm
Running Time 5.0Ah Battery	20 minutes
Weight	2.6 kg

NOTE: Due to **m7** continuing program of development, the specifications in this manual are given as general information and are not binding. We reserve the right to effect, at any time and without prior notice, changes or alternations to parts, fitting and accessory equipment deemed necessary for any reason what so ever.

DLB-102:

A-weighted sound pressure level measuring: LpA = 88 dB, Uncertainty KpA= 3 dB

A-weighted sound power level under calculation: LwA = 95 dB, Uncertainty KwA= 1.1 dB






Vibration level (m/s²): 0.2 m/s², Uncertainty K = 1.5 m/s²



CAUTION

Prevent vibration and using wrench in a short time. Should wear vibration-absorbing gloves and watch out no loosen parts of gloves to prevent entanglement by wrench.

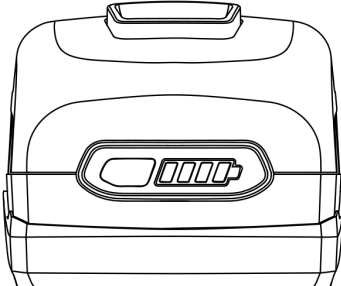
1. LED FUNCTIONS OF CHARGER

LED INDICATOR	BATTERY PACK	RED LED	GREEN LED	ACTION
HI/LO TEMP. (SEE MANUAL) 	Hot/Cold battery	On	Off	Charging will begin when battery returns to 4°C-40°C
 DEFECTIVE BATTERY 	Defective	Flashing	Off	Battery pack or Charger is defective
BATTERY CHARGING 	Charging	Off	Flashing	Charging
BATTERY FULL 	Fully charged	Off	On	Charging is complete Maintenance charging

2. POWER BAR

This Lithium-Ion battery pack is equipped with a POWER BAR, which is used to display the battery pack's remaining run time. Press the POWER BAR button to display the LED lights. The LED lights will stay lit for approximately 4 seconds.

NOTE: The POWER BAR can be used whether the battery is attached or removed from tool.



● ● ● ●	80-100% Charge
● ● ● ○	60-79% Charge
● ● ○ ○	40-59% Charge
● ○ ○ ○	20-39% Charge
●* ○ ○ ○	Under 20% Charge
●* ●* ●* ●*	Completely Discharged
●* ○ ●* ○	High/Low Temperature

3. LOW-BATTERY CAPACITY INDICATOR

- If LED worklights on the POWER BAR begins to rapidly and continuously flash when the trigger switch on the wrench is depressed, the battery pack's power has run out, and the battery pack should be recharged.
- Unlike other battery pack types, Lithium-Ion battery packs deliver fade-free power for their entire run time. The tool will not experience a slow, gradual loss of power as you work. To signal that the battery pack is at the end of its run time and needs to be charged, the power to the tool will drop quickly. The POWER BAR will begin to display four flashing LED lights when the battery is completely discharged. When this happens, remove the tool from the workpiece, and charge the battery pack as needed.

NOTE: The POWER BAR may also display four flashing LED lights due to an overload or high temperature situation.

5. WHEN TO CHARGE THE BATTERY PACK

The Lithium-Ion battery can be charged at any time and will not develop a "memory" when charged after only a partial discharge. It is not necessary to run down the battery pack charge before recharging. Remove the battery pack from the tool when convenient for you and your job.

- Use the POWER BAR to determine when you need to recharge the battery pack.
- You can "top-off" your battery pack's charge before starting a big job or long period of use.

4. STORAGE RECOMMENDATIONS

- The best storage place is one that is cool and dry, away from direct sunlight and excess heat or cold. Do not exceed 4°C-40°C (39.2°F-104 °F).
- For long storage, it is recommended to store a fully charged battery pack in a cool dry place out of the charger for optimal results.

⚠ CAUTION The battery pack will need to be recharged before use.

ASSEMBLY

⚠ WARNING

If any part is broken or missing, DO NOT attempt to attach the battery or operate the tool until the broken or missing part is replaced. Failure to do so could result in possible serious injury.

⚠ WARNING

Do not attempt to modify this tool or create accessories not recommended for use with this tool. Any such alteration or modification is misuse and could result in a hazardous condition leading to possible serious injury.

⚠ WARNING

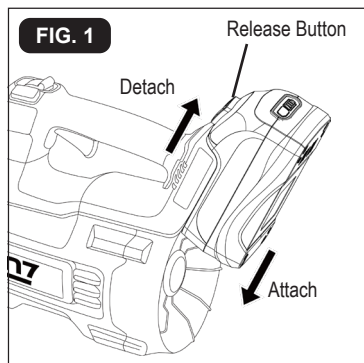
Your tool should never be connected to the battery when you are assembling parts, making adjustments, installing or removing blades, cleaning, or when it is not in use. Disconnecting the tool will prevent accidental starting, which could cause serious personal injury.

UNPACKING

1. Carefully remove the tool and any accessories from the carton. Make sure that all items listed in the packing list are included.
2. Inspect the tool carefully to make sure that no breakage or damage occurred during shipping.
3. Do not discard the packing material until you have carefully inspected and satisfactorily operated the tool.

ASSEMBLY

TO ATTACH BATTERY PACK (FIG. 1)



1. Make sure that the tools is switched off.
2. Align the rib on the battery pack with the grooves on the bottom of the cordless tool, and then slide the battery pack onto the tool.

NOTICE: Make sure that the latch on the battery pack snaps into place and the battery pack is secured to the cordless tool before operation.

TO DETACH BATTERY PACK (FIG. 1)

1. Make sure that the cordless tool is switched off.
2. Depress the battery-release buttons located on the front of the battery pack to release the battery pack.
3. Pull the battery pack out and remove it from the cordless tool.

OPERATION

FIG. 2

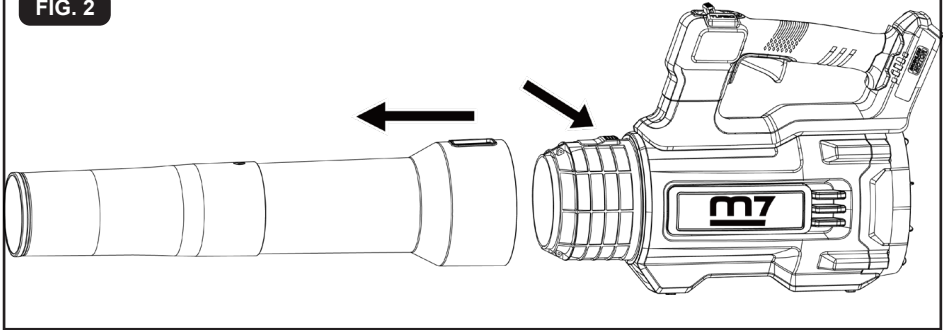
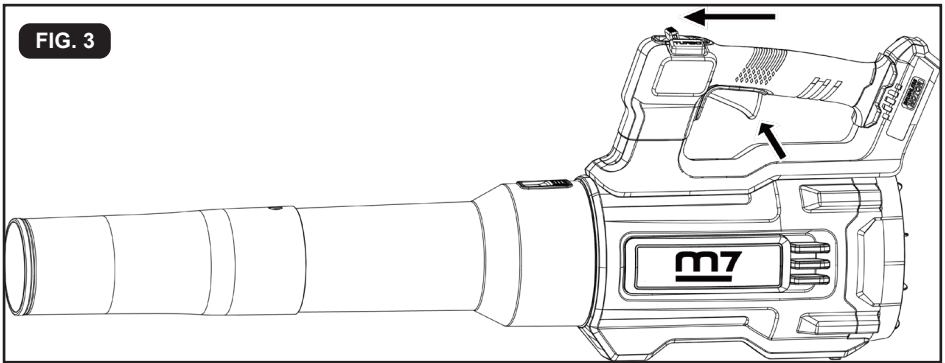


FIG. 3



WARNING

To prevent accidental starting that could cause serious personal injury, always remove the battery pack from the product when assembling and adjusting the tool.

STARTING OPERATION

- Depress the ON/OFF trigger to start and release it to stop the power tool. It is a variable speed trigger that delivers higher speed with increased trigger pressure. Speed is controlled by the amount of trigger pressure.
- For continuous operate, when press the ON/OFF trigger, push the constant speed knob forward at the same time as shown in Figure C. Then the product will continuously operate in constant speed. Speed will gets higher when knob is pushed to left. Return the knob to right position again, the continuous operation will stop.
- Super Speed, press the TURBO button, product will operate in super high speed, when released, it will stop.

WORKING ADVICE

Never blow dirt in the direction of bystanders.

Always hold the power tool approx.3 cm above the ground when working.

Do not blow hot, flammable or explosive material.

Ensure that the air inlet cannot suck in any impurities while blowing is taking place

OPERATION

WARNING

Always wear safety goggles or safety glasses with side shields during power tool operations, or when blowing dust. If operation is dusty, also wear a dust mask.

WARNING

Do not at any time let brake fluids, gasoline, petroleum-based products, penetrating oils, etc. come in contact with plastic parts. Chemicals can damage, weaken or destroy plastic, which may result in serious personal injury.

OPERATION

BATTERY CHARGING

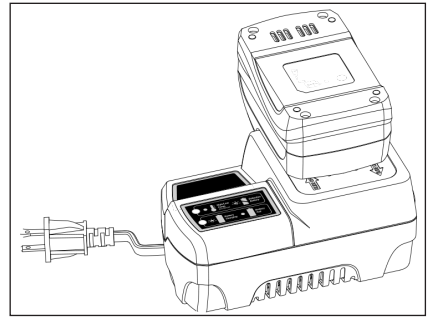
The battery is supplied partially charged. To ensure full capacity of the battery, completely charge the battery in the battery charger before.

A fully discharged battery pack will charge in 50 minutes for DB-1850P in a surrounding temperature between 32° F (0° C) and 104° F (40° C).

1. Charge the Lithium-Ion battery pack with the correct charger.
2. Connect the charger to a power supply.
3. Align the raised ribs of the battery pack with the slot in the charger.
4. Slide the battery pack onto the charger.
5. The charger will communicate with the battery pack to evaluate the condition of the battery pack.

6. The POWER BAR LED lights will cycle from right to left during charging. This is part of the normal charging operation.
7. After charging is complete, the green LED on the charger will come on and the POWER BAR LED lights will go displayed when the POWER BAR button is pressed while the battery pack is on the charger.
8. The battery pack will fully charge if left on the charger, but it will not overcharge.

NOTE: For your convenience, the charger can operate with most generators and inverters rated at 300 watts or higher.



MAINTENANCE

The tool may be cleaned most effectively with compressed dry air. Always wear safety goggles when cleaning tools with compressed air.

Avoid using solvents when cleaning plastic parts. Most plastics are susceptible to damage from various types of commercial solvents and may be damaged by their use. Use clean clothes to remove dirt, dust, oil, grease, etc.

BEFORE EACH USE

1. Inspect the Impact Wrench, the on/off switch and the accessories for damage.
2. Check for damaged, missing, or worn parts.
3. Check for loose screws, misalignment or

binding of moving parts, or any other condition that may affect the operation.

4. If abnormal vibration or noise occurs, turn the tool off immediately and have the problem corrected before further use.
5. Detach the battery from the Impact Wrench before cleaning or performing any maintenance. Using compressed air maybe the most effective cleaning method. Always wear safety goggles when cleaning tools using compressed air.

LUBRICATION

All of the bearings in this tool are lubricated with a sufficient amount of high grade lubricant for the life of the unit under normal conditions. Therefore, no further lubrication is required.

ACCESSORIES

NO

TROUBLESHOOTING

Remove the battery from the power tool before carrying out work on the power tool (e.g.maintenance, changing tool,etc.).The battery should also be removed for transport and storage.There is risk of injury from unintentionally pressing the on/off switch.

To ensure safe and efficient operation, always keep the power tool and the ventilation slots clean.

PROBLEM	CAUSE	SOLUTION
The Cordless Blower does not work.	The battery is depleted.	Charge the battery.
The Cordless Blower does not work and the tool LED worklight flashes.	The tool is overheated.	Allow the tool to cool down.
The Cordless Blower does not work and the battery pack LED light flashes.	The battery is overheated.	Allow the battery to cool down.

ENVIRONMENT PROTECTION



1. Tool, accessories and packaging should be sorted for environment-friendly recycling.
2. Power tools and accessories at the end of their service life still contain large amounts of valuable raw materials and plastics which can likewise be fed back into a recycling process.
3. Some dust created by working contains harmful chemicals must be collected by special garbage re- cycle site.
4. At the end of tool's life, discard it with due care for our environment:
 - Run the battery pack down completely, then remove it from the tool.
 - Li-Ion cells are recyclable. Take them to your dealer or a local recycling station. The collected battery packs will be recycled or disposed of properly.

SERVICE

1. In case of warranty, repair or the purchase of spare parts, always contact an authorized service center. Attach the service card and the invoice.
2. The warranty does not cover normal wear, overloading or abnormal use of the product.



Declaration of Conformity

RoHS Directive (2011/65/EU)

REACH Regulation (1907/2006)

Brand Name:



Product Description: Cordless Leaf Blower

Item No.: DLB-102

The above designated product(s) made by Mighty- Seven International Co.,Ltd is/are in compliance with the prevailing requirements of the REACH Regulation (1907/2006), Restriction of Hazardous Substances (RoHS) Directive 2011/65/EU and all subsequent amendments including (EU) 2015/863.

Name of hazardous substance	Limited of RoHS ppm %
Pb	<0.10%
Cd	<0.010%
Hg	<0.10%
Cr6+	<0.10%
PBB	<0.10%
PBDE	<0.10%
Phthalate Bis(2-ethylhexy1)	<0.10%
Butyl benzylphthalate (BBP)	<0.10%
Dibutylphthalate (DBP)	<0.10%
Diisobutyl phthalate (DIBP)	<0.10%

Declared in: Taichung, Taiwan

Date: 2024/03/01

Signature

QA Manager **Jay Lin**

Manufacturer:

Mighty Seven International Co., Ltd.

No. 70-25, Qingguang RD., Wujih Dist.,

Taichung City, 41466 Taiwan.

<http://www.mighty-seven.com>

Authorized contact, to compile the technical files :

King Tony Europe

3 Rue des imprimeurs ZI République Nord 1.

86000 POITIERS FRANCE

TEL: (+33)5-49-30-30-90

E-MAIL: christian.aubineau@kingtony.eu



UK DECLARATION OF CONFORMITY

UK CA

Brand Name : Mighty Seven

Serial Number : Please refer to the tool

Cordless Cordless Leaf Blower

Item No. : DLB-102A (Tool)

to which this declaration applies, complies with these normative documents:

- Machinery Directive: Supply of Machinery (Safety) Regulations 2008
- EMC: Electromagnetic Compatibility Regulations 2016
and conforms to the following BS EN standards,
- BS EN 60335-1:2012 + A11:2014 + A13:2017 + A1:2019 + A14:2019 + A2:2019 + A15:2021
- BS EN 55014-1:2021
- BS EN 50636-2-1000

Battery Charger

- BS EN 55014-2:2021

Item No. : DC-18A

to which this declaration applies, complies with these normative documents:

- LVD: Electrical Equipment (Safety) Regulations 2016
- EMC: Electromagnetic Compatibility Regulations 2016
and conforms to the following EN standards,
- BS EN 60335-1:2012+A11:2014+A13:2017+A1:2019+A14:2019+A2:2019+A15:2021
- BS EN 60335-2-29:2021+A1:2021
- BS IEC EN 55014-1:2021
- BS IEC EN 55014-2:2021
- BS EN 61000-3-2:2019+A1:2021
- BS EN 61000-3-3:2013+A1:2019
- BS EN 62233:2008

**Declared in: Taichung, Taiwan Date:
2024/03/01**

Manufacturer :

Mighty Seven International Co., Ltd.

No.70-25, Qingguang Rd., Wujih Dist.,
Taichung City, 41466 Taiwan
<http://www.mighty-seven.com>

Signature

Jay Lin

Declared by: QA Manager

Authorized contact to compile the technical file:

Established with the EU

King Tony Europe

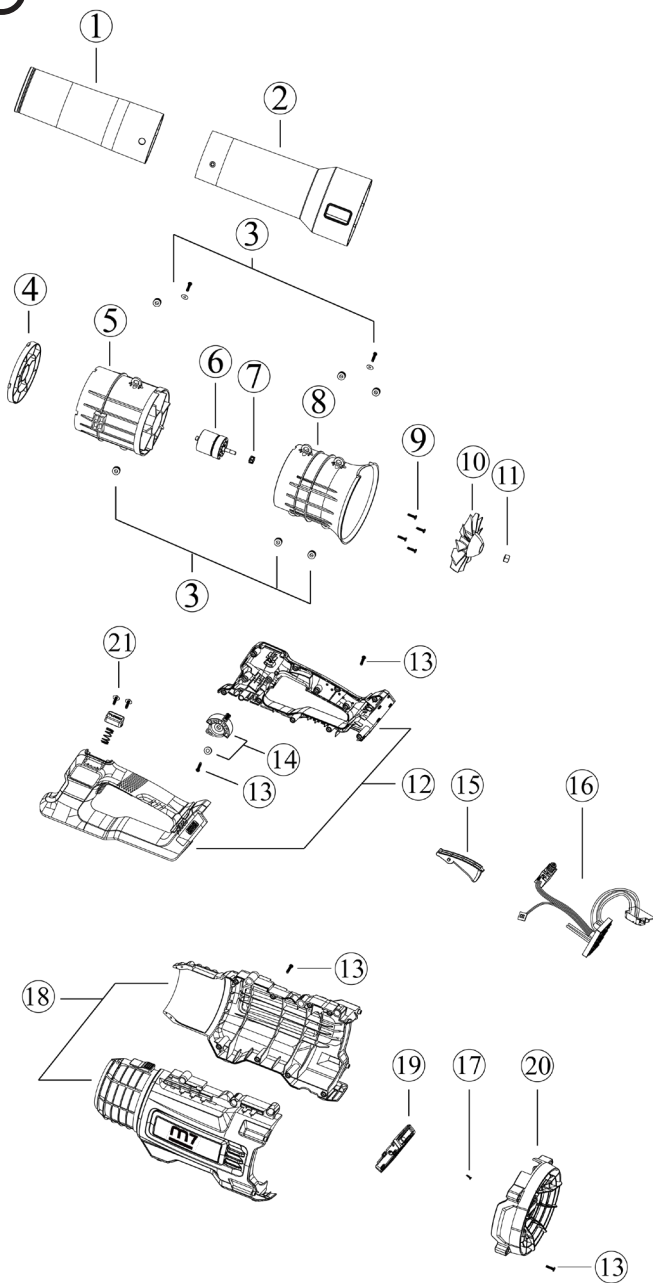
3 Rue des imprimeurs ZI République Nord 1.
86000 POITIERS FRANCE
TEL: (+33)5-49-30-30-90
E-MAIL: christian.aubineau@kingtony.eu

General Manager

Christian Aubineau



Cordless Leaf Blower
Item No : DLB - 102



Part List **DLB - 102**


NO.	INDEX NO.	DESCRIPTION	Q'TY
1	DLB-102P01	EXHAUST TUBE CASING	1
2	DLB-102P02	EXHAUST TUBE	1
3	DLB-102T03	SCREW ASSEMBLY	1 SET
4	DLB-102P04	RETAINING RING	1
5	DLB-102P05	CONE SECTION	1
6	DLB-102P06	MOTOR	1
7	DLB-102P07	AXLE SLEEVE	1
8	DLB-102P08	BELL TUBE	1
9	DLB-102T09	ST4*10 SCREW (4 PCS)	1 SET
10	DLB-102P10	FAN	1
11	DLB-102P11	NUT M5	1
12	DLB-102T12	HANDLE	1 SET
13	DLB-102T13	ST3.9*14 SCREW (26 PCS)	1 SET
14	DLB-102T14	CONSTANT SPEED KNOB	1 SET
15	DLB-102P15	TRIGGER	1
16	DLB-102T16	ELECTRONICS ASSEMBLY	1 SET
17	DLB-102P17	ST2.9*10 SCREW	1
18	DLB-102T18	MOTOR HOUSE	1 SET
19	DLB-102T19	BATTERY CONNECTING DEVICE	1 SET
20	DLB-102P20	BACK COVER	1
21	DLB-102T21	TRIGGER SET	1 SET

Warranty Card

Manufacturer's limited warranty

Mighty Seven International Co., LTD. offers limited warranty to the products manufactured by *Mighty Seven* and sold by its worldwide authorized dealers. The limited warranty only applies to products that are defective in material and workmanship and does not apply to products which have been abused, misused, service representatives. If there is a defective product of *Mighty Seven*, please send it prepaid to the dealer where it was purchased from along with address and contact information. Repairs or replacements are warranted as described above; otherwise, the service of repairs or replacements will be charged.

Please Keep This card For Warranty

Date of Purchase	Model No.
warranty Expiration Date:	serial No
Distributor Stamp	
	

Date of Purchase :	Model No :
warranty Expiration Date :	serial No :
Name :	
Company Name :	
Address :	
Tel :	Fax :
E-mail :	
Type of Business:	
<input type="checkbox"/> Agriculture	<input type="checkbox"/> Paint & Body Repair
<input type="checkbox"/> General Auto Repair	<input type="checkbox"/> Public Work/Gov.Utilities
<input type="checkbox"/> Tire	<input type="checkbox"/> Factory
<input type="checkbox"/> Truck Maintenance/Repair	<input type="checkbox"/> Home Use
<input type="checkbox"/> Car Maker	<input type="checkbox"/> Other

RÈGLES DE SÉCURITÉ GÉNÉRALES

AVERTISSEMENT DE SECURITE GENERALES POUR ELECTROPORTATIF

La machine est destinée à souffler des feuilles.

AVERTISSEMENTS DE SÉCURITÉ GENERAL POUR LES OUTILS ELECTROPORTATIFS



Le non-respect des consignes de sécurité énoncées ci-après peut conduire à un choc électrique, à un incendie et/ou à des blessures corporelles graves.

CONSERVEZ CES INSTRUCTIONS

Le terme "outil électrique" dans tous les avertissements ci-après fait référence à votre outil électrique branché sur secteur (filaire) ou votre outil électrique sur batterie (sans fil).

SÉCURITÉ DE LA ZONE DE TRAVAIL

1. Gardez votre zone de travail propre et bien éclairée. Les zones en désordre ou sombres présentent des risques d'accidents.
2. N'utilisez jamais d'outils électriques dans un environnement explosif, par exemple en présence de liquides inflammables, de gaz ou de poussières. Les outils électriques créent des étincelles qui peuvent enflammer des poussières ou de la fumée.
3. Ne permettez jamais aux enfants ou toutes autres personnes de s'approcher de l'outil électrique lors de son utilisation. Toute distraction peut provoquer la perte de contrôle de l'appareil.

SÉCURITÉ ÉLECTRIQUE

1. Les fiches des outils électriques doivent correspondre à la prise. Ne modifiez jamais la fiche d'aucune façon. N'utilisez aucune fiche d'adaptateur avec des outils électriques mis à la terre. Des fiches non modifiées et des prises correspondantes réduiront le risque de choc électrique.
2. Évitez le contact du corps avec des surfaces reliées à la terre ou à la masse, notamment tuyaux, radiateurs, fours ou réfrigérateurs. Le risque de décharge électrique est accru lorsque votre corps est relié à la terre.

3. Ne pas exposer les outils électriques à la pluie ou l'humidité. La pénétration d'eau dans un appareil électrique augmente le risque d'une décharge électrique.
4. Ne malmenez pas le câble. Ne portez pas l'appareil par le câble. Débranchez le câble de la prise uniquement en tirant sur la fiche. Protégez le câble de l'huile, de la chaleur, des arêtes vives et des pièces mobiles. Un câble endommagé ou emmêlé augmente le risque d'une décharge électrique.
5. Pour les travaux d'extérieur, utilisez uniquement des câbles prolongateurs agréés à cet effet. L'utilisation d'un câble prolongateur compatible pour l'extérieur réduit le risque d'un choc électrique.
6. S'il est inévitable d'utiliser un outil électrique dans un endroit humide, prévoir une alimentation protégée par un disjoncteur de fuite à la terre (RCD). La mise en place d'un RCD réduit le risque de choc électrique.

SÉCURITÉ DES PERSONNES

1. Soyez vigilant. Prêtez attention à ce que vous faites et travaillez calmement et de façon réfléchie avec un outil électrique. N'utilisez pas l'appareil si vous êtes fatigué, si vous n'êtes pas concentré ou si vos capacités de réaction sont altérées par l'ingestion de drogues, d'alcool ou de médicaments. Un moment d'inattention lors de l'utilisation d'un outil électrique peut entraîner des blessures graves.
2. Portez des vêtements, des équipements de protection individuels et toujours des lunettes de sécurité. Le port de vêtements et d'équipements de protection individuels tels qu'un masque respiratoire, des chaussures antidérapantes, un casque ou des protections acoustiques, réduit le risque de blessures.
3. Évitez tout allumage intempestif. Assurez-vous que l'outil électrique est en position «OFF» (= arrêt) avant de mettre la fiche dans la prise et/ou avant de brancher la batterie. Le fait de porter l'appareil avec le doigt sur l'interrupteur ou de brancher l'appareil alors qu'il est allumé, peut causer des accidents.

RÈGLES DE SÉCURITÉ GÉNÉRALES

4. Retirer tout outil ou clé de réglage avant de mettre l'outil électrique sous tension. Un outil ou une clé attachée à une partie rotative de l'outil électrique peut entraîner des blessures.
5. Évitez toute position corporelle anormale. Trouvez une position sûre et conservez votre équilibre à tout moment. Vous contrôlerez ainsi mieux l'appareil électrique en cas de situation inattendue.
6. Portez des vêtements adaptés. Ne portez pas de vêtements larges ni de bijoux. Éloignez vos cheveux, vêtements et gants des parties mobiles. Les vêtements amples, les bijoux et les cheveux longs peuvent se prendre dans les pièces mobiles.
7. Si des dispositifs d'aspiration et de collecte des poussières peuvent être montés, assurez-vous qu'ils sont bien fixés et correctement utilisés. L'utilisation de ces dispositifs réduit les risques dus à la poussière.
8. Ne laissez pas vos habitudes d'utilisation vous faire ignorer les principes de sécurité des outils. Une action négligente peut causer des blessures graves en une fraction de seconde.

UTILISATION ET ENTRETIEN DE L'OUTIL ÉLECTRIQUE

1. Ne surchargez pas l'appareil. Utilisez l'outil électrique adapté à votre travail. Vous travaillerez mieux et de manière plus sûre dans le champ de travail indiqué en utilisant l'outil adapté.
2. N'utilisez pas d'outils électriques dont l'interrupteur est défectueux. Un outil électrique dont l'interrupteur ne fonctionne plus est dangereux et doit être réparé.
3. Retirez la fiche de la prise et/ou le bloc-batterie de l'outil avant de procéder aux réglages, avant de changer les accessoires ou avant de ranger l'appareil. Cette mesure de prudence empêche l'allumage intempestif de l'appareil.
4. Conservez les outils électriques inutilisés hors de portée des enfants. Empêchez l'utilisation de l'appareil par les personnes qui n'y sont pas familiarisées ou qui n'ont pas lu les présentes consignes.

Les outils électriques sont dangereux s'ils sont utilisés par des personnes inexpérimentées.

5. Entretenez soigneusement l'outil électrique. Vérifiez que les pièces détachées soient bien alignées et ne collent pas et qu'aucune pièce n'est cassée ou endommagée au point d'influencer le fonctionnement de l'appareil. Faites réparer les pièces endommagées avant l'utilisation de l'appareil. De nombreux accidents sont dus à un mauvais entretien des outils électriques.
6. Aiguiser vos outils de découpe et nettoyez-les. Les outils de découpe soigneusement entretenus, avec des tranchants bien aiguisés s'enrayent moins et sont plus faciles à guider.
7. Suivre toutes les instructions de chargement. Ne pas charger la batterie ou l'outil en dehors de la température spécifiée dans les instructions. Une charge incorrecte ou à des températures hors de la température spécifiée peut endommager la batterie et augmenter le risque d'incendie.
8. Garder les poignées et les surfaces de préhension sèches, propres et exemptes d'huile et de graisse. Les poignées et les surfaces de préhension glissantes ne permettent pas à l'utilisateur de manipuler et de contrôler l'outil en toute sécurité dans des situations imprévues.

UTILISATION ET ENTRETIEN DE L'OUTIL À BATTERIE

1. Ne chargez la batterie rechargeable que dans des chargeurs conseillés par le fabricant. Le chargeur prévu pour un certain type de batterie présente un risque d'incendie lorsqu'il est utilisé avec un autre modèle de batterie.
2. N'utilisez dans des outils électriques que des batteries prévues à cet effet. L'utilisation d'autres blocs-batterie peut provoquer des accidents et présente un risque d'incendie.

RÈGLES DE SÉCURITÉ GÉNÉRALES

3. Lorsque la batterie n'est pas utilisée, éloignez-la des objets métalliques, tels que des trombones, des pièces de monnaie, des clés, des clous, des vis ou d'autres petits objets métalliques qui peuvent établir une connexion d'une borne à une autre. Un court-circuit entre les bornes de la batterie peut provoquer des brûlures ou un incendie.
4. Dans des conditions abusives, du liquide peut être éjecté de la batterie; éviter tout contact. En cas de contact accidentel, rincer à l'eau. Si du liquide entre en contact avec les yeux, consultez également un médecin. Le liquide éjecté de la batterie peut provoquer une irritation ou des brûlures.
5. N'utilisez pas une batterie ou un outil endommagé ou modifié. Les batteries endommagées ou modifiées peuvent présenter un comportement imprévisible entraînant un incendie, une explosion ou un risque de blessure.
6. N'exposez pas une batterie ou un outil au feu ou à une température excessive. L'exposition au feu ou à une température supérieure à 130°C peut provoquer une explosion (température „265 °F“).
7. Suivez toutes les instructions de charge et ne chargez pas la batterie ou l'outil en dehors de la plage de température spécifiée dans les instructions. Une charge incorrecte ou à des températures en dehors de la plage spécifiée peut endommager la batterie et augmenter le risque d'incendie.



Il sera nécessaire de recharger les batteries avant utilisation.

IMPORTANT
LIRE ATTENTIVEMENT AVANT
UTILISATION.
A CONSERVER POUR
RÉFÉRENCE ULTÉRIEURE.
Conseils d'utilisation sûrs pour le
souffleur de jardin

FORMATION

1. Lisez attentivement les instructions. Familiarisez-vous avec les commandes et l'utilisation correcte de la machine.
2. Ne laissez jamais des enfants ou des personnes ne connaissant pas ces instructions utiliser la machine. Les réglementations locales peuvent limiter l'âge de l'opérateur.
3. Gardez à l'esprit que l'opérateur ou l'utilisateur est responsable des accidents ou des risques d'autres personnes ou de leurs biens.

PRÉPARATION

1. Procurez-vous des protections auditives et des lunettes de sécurité. Portez-les en permanence pendant l'utilisation de la machine.
2. Lors de l'utilisation de la machine, portez toujours des chaussures solides et des pantalons longs. Ne pas utiliser la machine en étant pieds nus ou en portant des sandales ouvertes. Évitez de porter vêtements amples ou comportant des cordons ou des des cordons ou des attaches qui pendent.
3. Ne portez pas de vêtements amples ou de bijoux qui pourraient être aspirés dans l'entrée d'air. Tenir les cheveux longs à l'écart des entrées d'air.
4. Utilisez la machine dans une position recommandée et uniquement sur une surface ferme et plane.
5. N'utilisez pas l'appareil sur une surface pavée ou en gravier cela pourrait provoquer des blessures.
6. Avant d'utiliser la machine, vérifiez que le dispositif de broyage, les boulons du dispositif de déchetage et les autres fixations ainsi que le boîtier n'est pas endommagé et que les que les protections et les écrans sont en place. Remplacer les composants usés ou endommagés par jeux pour pour préserver l'équilibre. Remplacer les étiquettes endommagées ou illisibles.
7. N'utilisez jamais la machine lorsque des personnes, en particulier des enfants, ou des animaux domestiques se trouvent à proximité.

RÈGLES DE SÉCURITÉ GÉNÉRALES

FONCTIONNEMENT

1. Avant de démarrer la machine, assurez-vous que que l'arrivée d'air ne soit pas obstruée.
2. Tenez votre visage et votre corps à l'écart de l'arrivée d'air.
3. Ne pas laisser les mains ou toute autre partie du corps ou des vêtements à l'entrée d'air, dans la goulotte d'éjection ou à proximité d'une pièce mobile.
4. Garder l'équilibre et les pieds en permanence. Ne vous penchez pas en avant. Ne vous tenez jamais à un niveau plus élevé que la base de la machine lorsque vous l'alimentez en matériau.
5. Restez toujours à l'écart de la zone d'éjection de l'air lors de l'utilisation de la machine.
6. Lorsque vous introduisez du matériel dans la machine, veillez à ce que des morceaux de métal, des pierres, des bouteilles, des boîtes de conserve ou d'autres objets étrangers n'y soient pas introduits.
7. Si le mécanisme de coupe heurte un objet étranger ou si la machine commence à émettre un bruit ou une vibration inhabituels, coupez immédiatement la source d'alimentation et laissez la machine s'arrêter. Débranchez la machine et prenez les mesures suivantes avant de la redémarrer et de l'utiliser :
 - a. vérifier qu'il n'y a pas de dommages ;
 - b. remplacer ou réparer les pièces endommagées
 - c. vérifier si des pièces sont desserrées et les resserrer.
8. Ne laissez pas le matériau traité s'accumuler dans la zone de décharge ; cela peut empêcher une décharge correcte et provoquer un rebond du matériau par l'ouverture d'admission.
9. Si la machine est obstruée, coupez la source d'alimentation et débranchez la l'alimentation avant de nettoyer les débris.
10. N'utilisez jamais la machine si les protections sont défectueuses ou sans dispositifs de sécurité, par exemple si le collecteur de débris n'est pas en place.
11. Veillez à ce que la source d'alimentation soit exempte de débris et d'autres

accumulations afin d'éviter d'endommager la source d'alimentation ou d'éviter un incendie.

12. Ne transportez pas cette machine lorsque la source d'alimentation est en marche.
13. Ne pas incliner la machine lorsque la source d'alimentation est en marche.

ENTRETIEN ET STOCKAGE

1. Lorsque la machine est arrêtée pour l'entretien, l'inspection ou le stockage, ou pour changer d'accessoire, coupez l'alimentation, débranchez la machine de l'alimentation et s'assurer que toutes les pièces s'arrêtent complètement. Laissez la machine refroidir avant de procéder à des inspections, des réglages, etc. Entretenez la la machine avec soin et la maintenir propre.
2. Conservez la machine dans un endroit sec, hors de la portée des enfants.
3. Laissez toujours la machine refroidir avant de la ranger.
4. Remplacez les pièces usées ou endommagées pour des raisons de sécurité. N'utilisez que des pièces de rechange et d'origine.
5. N'essayez jamais d'outrepasser le dispositif du protecteur.

RÈGLES GÉNÉRALES DE SÉCURITÉ

SERVICE

1. Ne faites réparer l'appareil que par du personnel qualifié, utilisant uniquement des pièces de rechange identiques, assurant de ce fait la sécurité de l'outil.
2. Ne réparez jamais les batteries endommagées. L'entretien des batteries ne doit être effectué que par le fabricant ou des prestataires de services agréés.

RISQUE RÉSIDUEL

Utiliser un équipement de protection individuelle.

1. Des niveaux sonores élevés peuvent causer des dommages auditifs. Portez toujours une protection auditive lorsque vous utilisez cet outil.

2. Le port d'une protection oculaire/ faciale peut réduire le risque d'éjection de la douille à grande vitesse de l'outil, en raison d'une mauvaise insertion de la douille pendant le fonctionnement.
3. Testez l'outil pour confirmer le sens de rotation avant une utilisation pratique. Cela réduira le danger potentiel dû à un sens de rotation inattendu.
4. Une utilisation prolongée causera de la fatigue à l'utilisateur. Des pauses périodiques sont recommandées pour la sécurité des utilisateurs.
5. Évitez de ranger cet outil dans un endroit soumis à une forte humidité.
6. Portez des gants anti-vibrations et n'utilisez pas l'outil pendant une période prolongée.

CONSIGNES DE SÉCURITÉ


Le but des symboles de sécurité est d'attirer votre attention sur d'éventuels dangers. Les symboles de sécurité et les explications qui les accompagnent méritent votre attention et votre compréhension. Les avertissements des symboles n'éliminent pas à eux seuls tout danger. Les instructions et avertissements qu'ils donnent ne remplacent pas les mesures appropriées de prévention des accidents.



AVERTISSEMENT

Assurez-vous de lire et de comprendre toutes les instructions de sécurité de ce manuel, y compris tous les symboles d'alerte de sécurité tels que «DANGER», «AVERTISSEMENT» et «MISE EN GARDE» avant d'utiliser cet outil. Le non-respect de toutes les instructions ci-dessous peut entraîner un choc électrique, un incendie et / ou des blessures graves.

SIGNIFICATION DES SYMBOLES

 **SYMBOLE D'ALERTE DE SÉCURITÉ**: indique un DANGER, un AVERTISSEMENT ou une MISE EN GARDE. Peut être utilisé conjointement avec d'autres symboles ou pictogrammes.

DANGER Signale une situation de danger imminent qui, si elle n'est pas évitée, entraînera la mort ou des blessures graves.

AVERTISSEMENT Signale une situation potentiellement dangereuse qui, si elle n'est pas évitée, pourrait entraîner la mort ou des blessures graves.

MISE EN GARDE Signale une situation potentiellement dangereuse qui, si elle n'est pas évitée, pourrait entraîner des blessures mineures ou modérées.










AVERTISSEMENT

Lisez tous les avertissements de sécurité désignés par le symbole  et toutes les instructions.




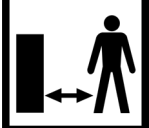



SYMBOLES DE SÉCURITÉ





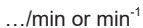
Some of these following symbols may be used on this tool. Please study them and learn their meaning. Proper interpretation of these symbols will allow you to operate the tool better and more safely.


Situation Dangereuse	Précaution	Symbole
Utilisation d'un souffleur de feuilles sans fil	Dispositifs à décharge électrostatique pouvant être dangereux pour les porteurs de stimulateurs cardiaques. Si l'humidité relative est inférieure à 20 %, veuillez utiliser un éliminateur d'électricité statique pour réduire le phénomène afin d'éviter le risque de choc électrique par électrostatique.	
Utilisation d'un souffleur de feuilles sans fil	Protection oculaire	
Utilisation d'un souffleur de feuilles sans fil	Lisez attentivement le manuel d'instructions avant de procéder au démarrage, à l'utilisation, à l'entretien ou à toute autre tâche sur l'outil.	
Utilisation d'un souffleur de feuilles sans fil	Protection auditive	
Utilisation d'un souffleur de feuilles sans fil	Portez des gants anti-vibrations et n'utilisez pas l'outil pendant une période prolongée.	
Utilisation d'un souffleur de feuilles sans fil	Utilisez un masque anti-poussière et des gants	
Utilisation d'un souffleur de feuilles sans fil	L'appareil ne doit pas être exposé à la pluie ou immergé dans l'eau.	

SYMBOLES DE SÉCURITÉ

<p>Utilisation d'un souffleur de feuilles sans fil</p>	<p>Ne laissez aucune partie de l'appareil entrer en contact avec des flammes.</p>	
<p>Utilisation d'un souffleur de feuilles sans fil</p>	<p>Ne pas exposer la batterie ou l'outil au feu ou à des températures excessives.</p>	
<p>Utilisation d'un souffleur de feuilles sans fil</p>	<p>Ce symbole est utilisé tout au long de ce manuel pour avertir l'utilisateur des risques potentiels. Veuillez lire et comprendre ces sections avant d'utiliser l'appareil.</p>	
<p>Utilisation d'un souffleur de feuilles sans fil</p>	<p>Ne pas exposer à la pluie</p>	
<p>Utilisation d'un souffleur de feuilles sans fil</p>	<p>Tenir les autres personnes à l'écart</p>	
<p>Utilisation d'un souffleur de feuilles sans fil</p>	<p>Danger due to ejected parts! Tenir les autres personnes à l'écart</p>	

SYMBOLES DE SÉCURITÉ

Utilisation d'un souffleur de feuilles sans fil	Le niveau de puissance acoustique garanti indiqué sur cette étiquette est de 96 dB.	
Courant continu	Type ou caractéristique du courant	
Vitesse à vide	Vitesse de rotation à vide	
Construction Classe II	Construction à double isolation	
Par minute	Révolutions, coups, vitesse orbitale, etc., par minute	

 AVERTISSEMENT Pour garantir la sécurité et la fiabilité, toutes les réparations doivent être effectuées par un technicien de maintenance qualifié.

REGLES DE SECURITE SPECIFIQUES

AVERTISSEMENT DE SECURITE POUR

1. Utilisez la batterie uniquement avec le chargeur mentionné ci dessous :

BATTERIE	CHARGEUR
DB-1850P	DC-18A

AVERTISSEMENT

Utiliser uniquement la batterie Li-Ion **m7**

Utiliser uniquement le chargeur de batterie **m7**

2. Portez toujours des lunettes de protection lorsque vous utilisez cet outil.
3. Prévenir les vibrations et utiliser la clé en peu de temps. Porter des gants absorbant les vibrations et veiller à ne pas desserrer les gants pour éviter qu'ils ne s'emmêlent avec la clé.
4. Assurez-vous que l'interrupteur horaire / anti-horaire est en position OFF avant d'insérer une batterie. L'insertion de la batterie dans un appareil électro-portatif allumé peut provoquer des accidents.
5. Vérifier soigneusement l'usure, les fissures ou les dommages des accessoires avant de les installer.
6. Les embouts, les douilles et les outils deviennent chauds pendant le fonctionnement. Portez des gants lorsque vous les touchez.
7. Retirez la batterie avant de changer les accessoires. Un démarrage accidentel peut se produire car les appareils électro-portatifs avec une batterie insérée sont en état de fonctionnement permanent.

AVERTISSEMENT

Certaines poussières créées par le ponçage, la coupe, le meulage, perçage ou autres activités de construction peuvent contenir des produits chimiques connus pour provoquer le cancer, des malformations congénitales ou d'autres troubles de la reproduction. Voici quelques exemples de ces produits chimiques:

- plomb provenant de peintures à base de plomb
- Silice cristallin provenant de briques et de ciment et d'autres produits de maçonnerie.
- Arsenic et chrome provenant du bois d'oeuvre ayant réagi chimiquement.

Votre risque lié à ces expositions varie en fonction de la fréquence à laquelle vous effectuez ce type de travail. Pour réduire votre exposition à ces produits chimiques: travaillez dans un endroit bien ventilé et travaillez avec un équipement de sécurité approuvé.

CONSIGNES DE SÉCURITÉ POUR LE CHARGEUR

1. Avant d'utiliser le chargeur de batteries, lisez toutes les instructions et avertissements dans ce présent manuel et sur le chargeur, sur la batterie et sur le produit à batterie pour éviter toute mauvaise utilisation et blessure ou dommage éventuel.



Pour réduire le risque de décharge électrique ou dommage au chargeur et à la batterie, ne chargez que les batteries lithium-ion marquées spécifiquement sur votre chargeur. Les autres types de batteries peuvent exploser, provoquant des blessures ou des dommages.

2. N'utilisez pas le chargeur à l'extérieur ni dans des conditions humides. Si l'eau entre dans le chargeur, le risque de décharge électrique augmente.
3. L'utilisation d'un accessoire non-recommandé ou vendu par le fabricant du chargeur peut causer un risque d'incendie, de décharge électrique ou de blessures.
4. Ne malmenez pas le câble ni le chargeur. Ne portez jamais le chargeur par le câble. Ne débranchez jamais l'outil du secteur en tirant sur le câble. Ceci pourrait endommager le câble ou le chargeur et créer un risque de décharge électrique. Remplacez immédiatement tout câble endommagé.
5. Assurez-vous que le cordon est placé en lieu sûr pour que personne ne marche ou ne trébuche dessus, et qu'il ne soit pas sujet à être endommagé ou soumis à une tension d'une quelconque autre manière. Ceci réduira le risque de chutes accidentelles qui pourraient provoquer des blessures et endommager le câble, créant un risque de décharge.
6. Protégez le câble et le chargeur de la chaleur pour éviter d'endommager le boîtier et les pièces internes.
7. Protégez les parties plastiques de l'essence, de l'huile, des produits à base de pétrole etc. Ces matières contiennent des produits chimiques qui peuvent endommager, fragiliser ou détruire le plastique.
8. N'utilisez une rallonge qu'en cas de nécessité absolue. L'utilisation d'une rallonge inadéquate peut entraîner un risque d'incendie, de choc électrique ou d'électrocution. S'il faut utiliser une rallonge, assurez-vous que :

La fiche du cordon comporte le même nombre de broches que celles du chargeur et que ses broches sont de mêmes forme et taille.

Le cordon est bien câblé et en bon état. La taille est assez grande pour l'intensité nominale du chargeur comme spécifié ci-dessous:

La longueur du cordon (pieds) 25' 50' 100'

Taille du cordon (AWG) **16 (AWG)**

NOTE: AWG = American Wire GaugeSilice

9. Ne faites pas fonctionner le chargeur avec un câble d'alimentation ou prise endommagés, en raison du risque de court-circuit et de décharge électrique. Si le chargeur est endommagé, faites-le réparer par un technicien agréé chez **m7**.
10. Ne faites pas fonctionner le chargeur s'il a reçu un choc violent, s'il est tombé, ou s'il a été autrement endommagé de quelque manière que ce soit. Apportez le chargeur à un technicien agréé chez **m7** pour un contrôle électrique pour déterminer si le chargeur est en bon état de fonctionnement.
11. Ne démontez pas le chargeur. Apportez-le à un technicien agréé chez lorsqu'un entretien ou une réparation est nécessaire. Un chargeur mal ré-assemblé peut entraîner un risque de choc **m7** électrique, d'électrocution ou d'incendie.
12. Débranchez le chargeur de la prise secteur avant de procéder à son nettoyage ou à son entretien. Cette précaution réduira le risque de décharge électrique.
13. Débranchez le chargeur de l'alimentation en dehors des périodes d'utilisation. Ceci réduira le risque de décharge électrique et de dommage au chargeur si des articles en métal tombent dans l'ouverture. Ceci évitera également des dommages en cas de surtension.
14. Risque de décharge électrique. Ne touchez pas la partie non-isolée du connecteur de sortie ni la borne non-isolée de la batterie.
15. Gardez précieusement ces instructions. Consultez-les fréquemment et utilisez-les pour informer les autres utilisateurs de cet outil. Si vous prêtez cet outil à quelqu'un d'autre, prêtez-lui également ces instructions pour éviter une mauvaise utilisation du produit et d'éventuelles blessures.

 **AVERTISSEMENT**

Certaines poussières créées par le ponçage, la coupe, le meulage, perçage ou autres activités de construction peuvent contenir des produits chimiques connus pour provoquer le cancer, des malformations congénitales ou d'autres troubles de la reproduction. Voici quelques exemples de ces produits chimiques:

- Plomb provenant de peintures à base de plomb
- Arsenic et chrome provenant du bois d'oeuvre ayant réagi chimiquement.

Votre risque lié à ces expositions varie en fonction de la fréquence à laquelle vous effectuez ce type de travail. Pour réduire votre exposition à ces produits chimiques: travaillez dans un endroit bien ventilé et travaillez avec un équipement de sécurité approuvé.

INFORMATIONS GENERALES

1. Le numéro de série de Mighty Seven est composé de l'année en 2ème/3ème chiffres et du mois indiqués par le 4ème/5ème chiffre.

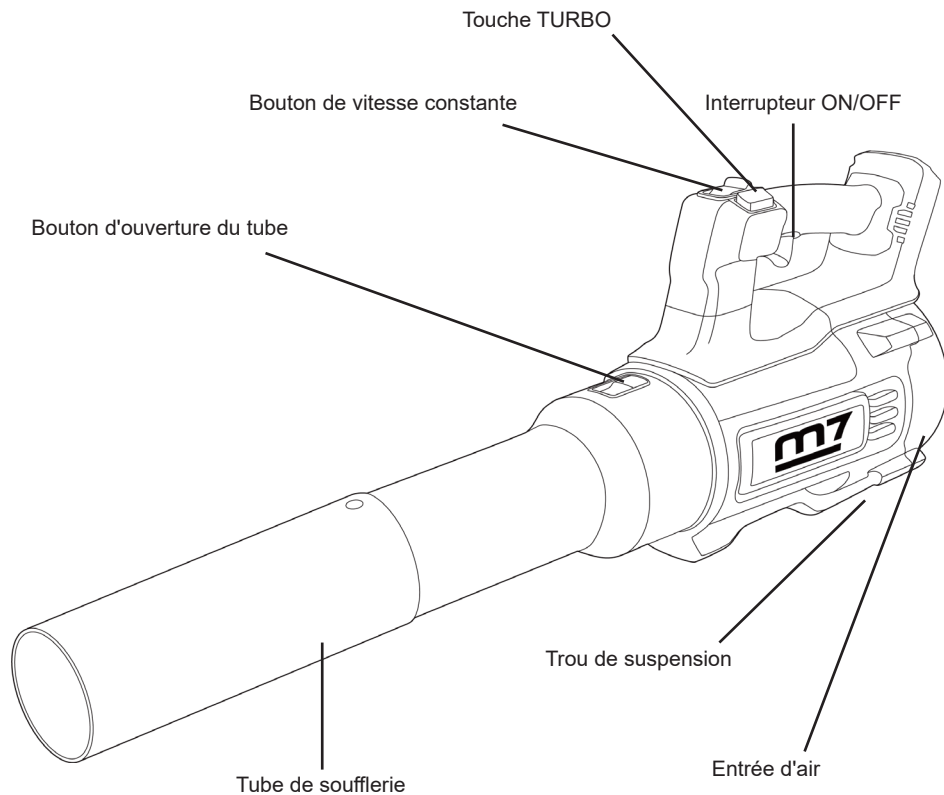
DESCRIPTION DE L'OUTIL

CONTRÔLE D'UTILISATION



La machine est destinée à souffler des feuilles.

1. Pièces principales de la DLB-102



SPECIFICATIONS

2. SPÉCIFICATIONS DE L'OUTIL/REMARQUES :

Modèle	DLB-102
Batterie Li-Ion	DB-1850P (5.0 Ah)
Entrée chargeur	220-240V~
Plage de température admissible (°C)	0-40
Tension nominale	18Vd.c. (18)
mode/Vitesse à vide (min-1)	7 100-11 600 min⁻¹ \ 14 000 min⁻¹
Vitesse d'air Max.	22,5-37,5 m/s, 45 m/s
Volume d'air	6512~10760 l/min - 13025 l/min
Autonomie de la batterie 5Ah	20 minutes
Poids (kg)	2.6 kg

NOTE : En raison de la poursuite du programme de développement, les spécifications de ce manuel sont données comme informations générales et ne sont pas fixes. Nous nous réservons le droit d'effectuer, à tout moment et sans préavis, des changements ou des alternances de pièces, de raccords et d'accessoires jugés nécessaires pour quelque raison que ce soit.

DLB-102:

Mesure du niveau de pression acoustique pondéré A : $L_{pA} = 88$ dB, K_{pA} d'incertitude = 3 dB

Niveau de puissance acoustique pondéré A en cours de calcul : $L_{WA} = 95$ dB, K_{WA} d'incertitude = 1.1 dB

Niveau de vibration (m/s^2) : $0.2 m/s^2$, incertitude K = 1,5 m/s^2



Prévenir les vibrations et utiliser la clé en peu de temps. Porter des gants absorbant les vibrations et veiller à ne pas desserrer les parties des gants pour éviter de s'emmêler avec une clé.

1. Les fonctions LED du chargeur :

Voyant LED	Bloc-batterie	LED rouge	LED verte	ACTION	
Problème de température (voir manuel)		Batterie chaude/froide	Allumé	Éteint	Le processus de charge commencera une fois la température entre 5°C et 40°C
Batterie défectueuse		Défectueuse	Clignotant	Éteint	Le bloc-batterie ou le chargeur est défectueux
En charge		En charge	Éteint	Clignotant	En charge
Batterie chargée		Chargée	Éteint	Allumé	La charge est terminée

2. Indicateur de charge :

Ce bloc-batterie Lithium-Ion est équipé d'un indicateur de charge qui indique la charge restante de la batterie. Appuyez sur le bouton de l'indicateur de charge pour afficher les indicateurs LED. Ces indicateurs resteront allumés pendant environ 4 secondes.

Remarque : L'indicateur de charge peut être utilisé si le bloc-batterie est attaché à l'outil ou non.

	● ● ● ●	80-100% de Charge
	● ● ● ○	60-79% de Charge
	● ● ○ ○	40-59% de Charge
	● ○ ○ ○	20-39% de Charge
	●* ○ ○ ○	En dessous de 20% de Charge
	●* ●* ●* ●*	Complètement déchargé
●* ○ ●* ○	Problème de température	

3. Indicateur de charge faible :

- Si les témoins LED sur l'indicateur de charge clignotent rapidement en permanence lorsque la gâchette sur la clé est appuyée, le bloc-batterie est déchargé et il faut le recharger.
- Contrairement à d'autres types de bloc-batterie, les blocs-batterie Lithium-Ion fournissent une puissance constante soutenue pendant toute la durée de la batterie. Cet outil ne perdra pas progressivement de puissance lorsque vous travaillez. Pour signaler que le bloc-batterie arrive à la fin de sa durée de charge, l'alimentation à l'outil s'arrêtera rapidement. Les quatre témoins LED de l'indicateur de charge clignoteront une fois la batterie complètement déchargée. Quand ceci arrive, enlevez l'outil de la pièce à travailler et rechargez le bloc-batterie au besoin.

Remarque: Les témoins LED de l'indicateur de charge peuvent clignoter en cas de surcharge ou de températures élevées.

4. Quand recharger le bloc-batterie

Mettez le bloc-batterie sur le chargeur pour le redémarrer quand la batterie est protégée. Le bloc-batterie Lithium-Ion peut être rechargé à tout moment et sans effet de "mémoire" lors de la recharge suite à une décharge partielle. Il n'est pas nécessaire de décharger la batterie avant de recharger.

Enlevez le bloc-batterie de l'outil quand cela vous convient.

- Utilisez l'indicateur de charge pour déterminer quand il faut recharger le bloc-batterie.
- Vous pouvez "faire l'appoint" de la charge de la batterie avant de commencer un grand travail ou une longue période d'utilisation.

ASSEMBLAGE

⚠ AVERTISSEMENT

Si une pièce est cassée ou manquante, N'essayez PAS de fixer la batterie ou de faire fonctionner l'outil jusqu'à ce que la pièce cassée ou manquante soit remplacée. Le non-respect de cette consigne peut entraîner des blessures graves.

⚠ AVERTISSEMENT

N'essayez pas de modifier cet outil ou de créer des accessoires non recommandés pour une utilisation avec cet outil. Une telle altération ou modification constitue une mauvaise utilisation et pourrait entraîner une situation dangereuse pouvant causer des blessures graves.

⚠ AVERTISSEMENT

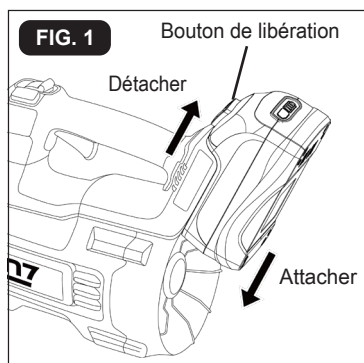
Votre outil ne doit jamais être connecté à la source d'alimentation lorsque vous assemblez des pièces, effectuez des réglages, installez ou retirez des accessoires, nettoyez ou lorsqu'il n'est pas utilisé. La déconnexion de l'outil empêchera un démarrage accidentel, ce qui pourrait entraîner des blessures graves.

DEBALLAGE

1. Retirez soigneusement l'outil et tous les accessoires du carton. Assurez-vous que tous les articles énumérés dans la liste de colisage sont inclus.
2. Inspectez soigneusement l'outil pour vous assurer qu'aucune casse ou dommage ne s'est produit pendant l'expédition.
3. Ne jetez pas le matériel d'emballage avant d'avoir soigneusement inspecté et utilisé l'outil de manière satisfaisante.

ASSEMBLY

INSTALLATION DE LA BATTERIE (FIG. 1)



1. Vérifiez que l'outil est bien éteint.
2. Alignez la nervure surélevée du bloc-batterie avec les rainures situées sous l'outil sans fil puis faites glisser le bloc-batterie sur l'outil.

AVIS : Assurez-vous que le loquet du bloc-piles s'enclenche et que le bloc-piles est fixé à l'outil sans fil avant de l'utiliser.

RETIRER LA BATTERIE (FIG. 1)

1. S'assurer que l'outil sans fil est éteint.
2. Appuyez sur le bouton de libération de la batterie situé sur la batterie pour la libérer.
3. Tirez la batterie et enlevez-la de l'outil sans fil.

UTILISATION

FIG. 2

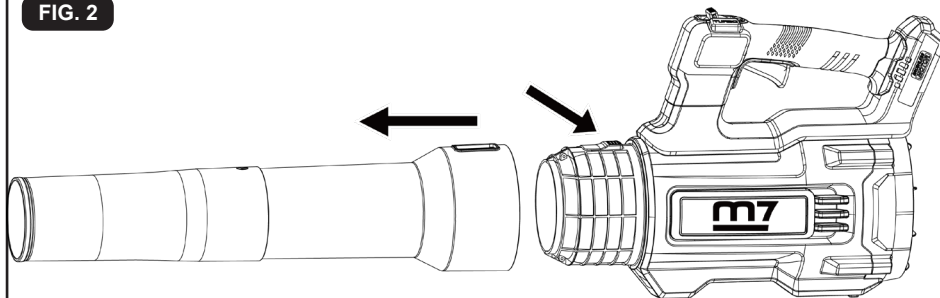
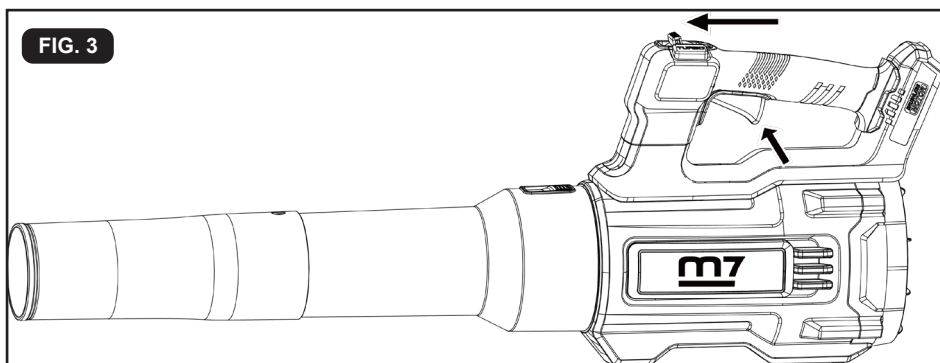


FIG. 3



AVERTISSEMENT

Pour éviter tout démarrage accidentel pouvant entraîner des blessures graves, retirez toujours la batterie du produit lors de l'assemblage et du réglage de l'outil.

OPÉRATION DE DÉMARRAGE

- Appuyez sur la gâchette ON/OFF pour démarrer et relâchez-la pour arrêter l'outil. Il s'agit d'une gâchette à vitesse variable qui augmente la vitesse en fonction de la pression exercée sur la gâchette. La vitesse est contrôlée par la pression exercée sur la gâchette.
- Pour un fonctionnement continu, lorsque vous appuyez sur la gâchette ON/OFF, poussez le bouton de vitesse constante vers l'avant en même temps, comme l'indique la figure C. Le produit fonctionnera alors en continu à vitesse constante. La vitesse augmente lorsque le bouton est poussé vers la gauche. Le fonctionnement continu s'arrête.
- Super vitesse, appuyez sur le bouton TURBO, l'appareil fonctionne en super vitesse, lorsque vous le relâchez, il s'arrête.

CONSEILS DE TRAVAIL

Ne jamais souffler de la terre en direction des passants.

Tenez toujours l'outil électrique à environ 3 cm au-dessus du sol lorsque vous travaillez.

Ne pas souffler de matériaux chauds, inflammables ou explosifs.

Veiller à ce que l'entrée d'air ne puisse pas aspirer d'impuretés pendant le soufflage.

UTILISATION

AVERTISSEMENT

Portez toujours des lunettes de protection avec des protections latérales lors des opérations avec des outils électriques, ou lorsque de la poussière est soufflée. Si l'opération produit de la poussière, portez également un masque antipoussière.

AVERTISSEMENT

À aucun moment, ne laissez les liquides de frein, l'essence, les produits à base de pétrole, les huiles de pénétration, etc. entrer en contact avec des pièces en plastique. Les produits chimiques peuvent endommager, affaiblir ou détruire le plastique, ce qui peut entraîner des blessures graves.

UTILISATION

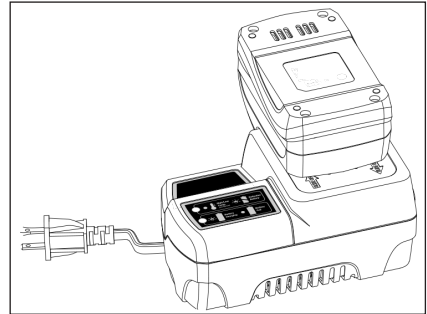
Procédure de recharge

La batterie est fournie partiellement chargée. Pour garantir les meilleures performances de la batterie, chargez-la entièrement dans le chargeur avant la première utilisation. Un bloc-batterie DB-1850P entièrement déchargé prendra environ 50 minutes à recharger pour dans des températures de 0°C à 40°C.

1. Chargez le bloc-batterie Lithium-Ion avec le chargeur adéquat.
2. Connectez le chargeur à l'alimentation.
3. Alignez la nervure en saillie du bloc-batterie sur la rainure dans le chargeur.
4. Glissez le bloc-batterie dans le chargeur.
5. Le chargeur communiquera avec le bloc-batterie pour évaluer l'état de ce dernier.
6. Les indicateurs de charge LED clignoteront de droite à gauche pendant le chargement. Ceci fait partie du processus normal de charge.

7. Une fois le processus de charge terminé, l'indicateur LED vert restera allumé et les indicateurs de charge LED s'allumeront lorsque le bouton power est appuyé et la batterie est sur le chargeur.
8. Le bloc-batterie chargera entièrement s'il reste sur le chargeur, mais il ne surchargera pas.

NOTE : Pour votre confort, le chargeur peut fonctionner avec la plupart des générateurs et onduleurs de 300 watts ou plus.



ENTRETIEN

L'outil peut être nettoyé le plus efficacement possible avec de l'air sec comprimé. Portez toujours des lunettes de sécurité lorsque vous nettoyez les outils à l'air comprimé.

Évitez d'utiliser des solvants lors du nettoyage des pièces en plastique. La plupart des plastiques sont susceptibles d'être endommagés par divers types de solvants commerciaux et peuvent être endommagés par leur utilisation. Utilisez des chiffons propres pour enlever la saleté, la poussière, l'huile, la graisse, etc.

AVANT CHAQUE UTILISATION

1. Inspectez la ponceuse, l'interrupteur marche / arrêt et les accessoires pour repérer les éventuels dommages.
2. Recherchez les éventuelles pièces endommagées, manquantes ou usées. Tous les roulements de cet outil sont lubrifiés avec une quantité suffisante de lubrifiant de haute qualité pour la durée de vie de l'unité dans des conditions normales. Par conséquent, aucune lubrification supplémentaire n'est requise.

3. Vérifiez qu'il n'y a pas de vis desserrées, de mauvais alignement ou de grippage des pièces mobiles ou toute autre condition pouvant affecter le fonctionnement.
4. En cas de vibrations ou de bruits anormaux, éteignez immédiatement l'outil et corrigez le problème avant de continuer à l'utiliser.
5. Retirez la batterie de la clé à chocs avant de nettoyer ou d'effectuer tout entretien. L'utilisation d'air comprimé peut être la méthode de nettoyage la plus efficace. Portez toujours des lunettes de sécurité lorsque vous nettoyez les outils à l'air comprimé.

LUBRIFICATION

Tous les roulements de cet outil sont lubrifiés avec une quantité suffisante de lubrifiant de haute qualité pour la durée de vie de l'unité dans des conditions normales. Par conséquent, aucune lubrification supplémentaire n'est requise.

ACCESSOIRES

Non

DEPANNAGE

Retirez la batterie de l'outil électrique avant d'effectuer des travaux sur l'outil électrique (par exemple, entretien, changement d'outil, etc.). La batterie doit également être retirée pour le transport et le stockage. Il existe un risque de blessure en cas d'appui involontaire sur l'interrupteur marche/arrêt. Pour garantir un fonctionnement sûr et efficace, gardez toujours l'outil électrique et les fentes d'aération propres.

Problème	CAUSE	SOLUTION
Le souffleur sans fil ne fonctionne pas.	La batterie est déchargée.	Chargez la batterie.
Le souffleur sans fil ne fonctionne pas et le projecteur de travail LED de l'outil clignote.	L'outil a surchauffé.	Laisser l'outil refroidir.
Le souffleur sans fil ne fonctionne pas et le voyant LED du bloc-batterie de la batterie clignote.	La batterie a surchauffé.	Laissez la batterie refroidir.

PROTECTION DE L'ENVIRONNEMENT



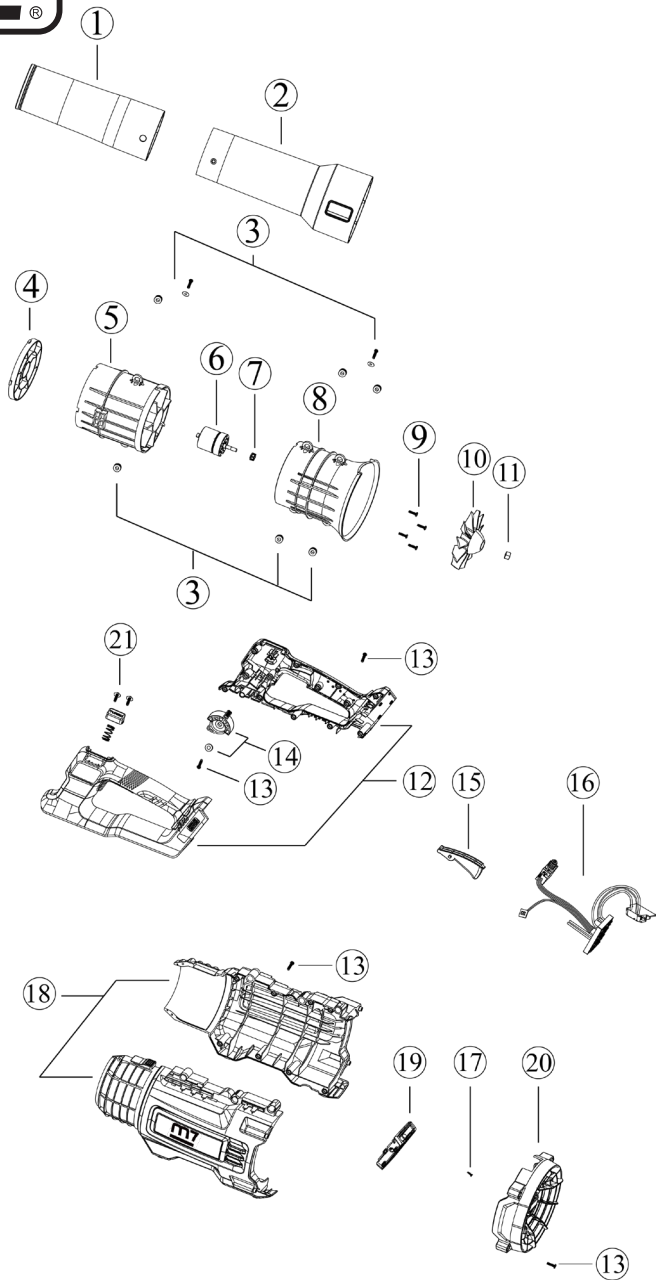
1. L'outil, les accessoires et l'emballage doivent être triés pour un recyclage respectueux de l'environnement.
2. Les outils électriques et les accessoires à la fin de leur durée de vie contiennent encore de grandes quantités de matières premières et de plastiques de valeur qui peuvent également être réinjectés dans un processus de recyclage.
3. Certaines poussières créées par le travail contiennent des produits chimiques nocifs doivent être collectées par un site spécial de recyclage des ordures.
4. En fin de vie de l'outil, jetez-le en respectant notre environnement :
 - Videz complètement la batterie, puis retirez-la de l'outil.
 - Les cellules Li-Ion sont recyclables. Apportez-les à votre revendeur ou à une station de recyclage locale. Les batteries collectées seront recyclées ou éliminées de manière appropriée.

Entretien

1. Dans le cas d'une garantie, d'une réparation ou de l'achat de pièces de rechange, contactez toujours un centre de service agréé. Munissez-vous de la carte de service ainsi que la facture.
2. La garantie ne couvre ni l'usure normale, ni la surcharge ni l'utilisation inappropriée.



Souffleuse de feuilles sans fil
Référence article : DLB - 102



Pièces détachées **DLB - 102**


NO.	INDEX NO.	DESCRIPTION	Q'TY
1	DLB-102P01	EXHAUST TUBE CASING	1
2	DLB-102P02	EXHAUST TUBE	1
3	DLB-102T03	SCREW ASSEMBLY	1 SET
4	DLB-102P04	RETAINING RING	1
5	DLB-102P05	CONE SECTION	1
6	DLB-102P06	MOTOR	1
7	DLB-102P07	AXLE SLEEVE	1
8	DLB-102P08	BELL TUBE	1
9	DLB-102T09	ST4*10 SCREW (4 PCS)	1 SET
10	DLB-102P10	FAN	1
11	DLB-102P11	NUT M5	1
12	DLB-102T12	HANDLE	1 SET
13	DLB-102T13	ST3.9*14 SCREW (26 PCS)	1 SET
14	DLB-102T14	CONSTANT SPEED KNOB	1 SET
15	DLB-102P15	TRIGGER	1
16	DLB-102T16	ELECTRONICS ASSEMBLY	1 SET
17	DLB-102P17	ST2.9*10 SCREW	1
18	DLB-102T18	MOTOR HOUSE	1 SET
19	DLB-102T19	BATTERY CONNECTING DEVICE	1 SET
20	DLB-102P20	BACK COVER	1
21	DLB-102T21	TRIGGER SET	1 SET

Warranty Card

Manufacturer's limited warranty

Mighty Seven International Co., LTD. offers limited warranty to the products manufactured by *Mighty Seven* and sold by its worldwide authorized dealers. The limited warranty only applies to products that are defective in material and workmanship and does not apply to products which have been abused, misused, service representatives. If there is a defective product of *Mighty Seven*, please send it prepaid to the dealer where it was purchased from along with address and contact information. Repairs or replacements are warranted as described above; otherwise, the service of repairs or replacements will be charged.

Please Keep This card For Warranty

Date of Purchase	Model No.
warranty Expiration Date:	serial No
Distributor Stamp	
	

Date of Purchase :	Model No :
warranty Expiration Date :	serial No :
Name :	
Company Name :	
Address :	
Tel :	Fax :
E-mail :	
Type of Business:	
<input type="checkbox"/> Agriculture	<input type="checkbox"/> Paint & Body Repair
<input type="checkbox"/> General Auto Repair	<input type="checkbox"/> Public Work/Gov.Utilities
<input type="checkbox"/> Tire	<input type="checkbox"/> Factory
<input type="checkbox"/> Truck Maintenance/Repair	<input type="checkbox"/> Home Use
<input type="checkbox"/> Car Maker	<input type="checkbox"/> Other

ALLGEMEINE SICHERHEITSBESTIMMUNGEN

ALLGEMEINE LEISTUNGSWERKZEUG SICHERHEITS-WARNUNGEN

Diese Maschine ist zum Laubblasen bestimmt.

ALLGEMEINE ELEKTROWERKZEUG SICHERHEITSWARNUNGEN

WARNUNG

Lesen Sie alle Anweisungen!
Die Nichtbeachtung der unten aufgeführten Sicherheitshinweise kann zu Stromschlägen, Feuer und / oder schweren Körperverletzungen führen.

Bewahren Sie alle Warnungen und Anweisungen zum späteren Nachschlagen auf.

Der Begriff „Elektrowerkzeug“ in den Warnungen bezieht sich auf Ihr netzbetriebenes (schnurgebundenes) Elektrowerkzeug oder batteriebetriebenes (schnurloses) Elektrowerkzeug.

SICHERHEIT DES ARBEITSBEREICHS

1. Halten Sie den Arbeitsbereich sauber und gut beleuchtet. Überfüllte oder dunkle Bereiche führen zu Unfällen.
2. Betreiben Sie Elektrowerkzeuge nicht in explosionsgefährdeten Bereichen, z. B. in Gegenwart von nicht brennbaren Flüssigkeiten, Gasen oder Staub. Powerools erzeugen Funken, die Staub oder Dämpfe entzünden können.
3. Halten Sie Kinder und Umstehende fern, während Sie ein Elektrowerkzeug bedienen. Ablenkungen können dazu führen, dass Sie die Kontrolle verlieren.

ELEKTRISCHE SICHERHEIT

1. Power Tool Stecker müssen mit der Steckdose übereinstimmen. Ändern Sie den Stecker niemals in irgendeiner Weise. Verwenden Sie keine Adapterstecker mit geerdeten Elektrowerkzeugen. Unveränderte Stecker und passende Steckdosen verringern das Risiko eines Stromschlags.
2. Vermeiden Sie den Körperkontakt mit geerdeten Oberflächen wie Rohren, Heizkörpern, Herden und Kühlschränken. Wenn Ihr Körper geerdet ist, besteht ein erhöhtes Risiko eines Stromschlags.
3. Setzen Sie Elektrowerkzeug weder Regen noch Nässe aus. Wasser, das in ein Elektrowerkzeug eindringt, erhöht das Risiko eines Stromschlags.

4. Niemals das Kabel missbrauchen. Verwenden Sie niemals das Kabel zum Tragen, Ziehen oder Herausziehen des Elektrowerkzeugs. Halten Sie das Kabel von Hitze, Öl und scharfen Kanten fern. Beschädigte oder verwickelte Kabel erhöhen Sie das Risiko eines Stromschlags.
5. Wenn Sie ein Elektrowerkzeug im Freien betreiben, verwenden Sie ein Verlängerungskabel, das für den Außenbereich geeignet ist, es verringert das Risiko eines Stromschlags.
6. Wenn Sie ein Elektrowerkzeug an einem feuchten Ort betreiben müssen, verwenden Sie ein Fehlerstromschutzgerät (RCD) für eine geschützte Versorgung. Die Verwendung eines Fehlerstromschutzgerät reduziert das Risiko eines Stromschlags.

PERSÖNLICHE SICHERHEIT

1. Seien Sie wachsam. Achten Sie darauf, was Sie tun, und arbeiten Sie ruhig und überlegt mit einem Elektrowerkzeug. Verwenden Sie das Gerät nicht, wenn Sie müde sind, sich nicht konzentrieren können oder wenn Ihre Reaktionsfähigkeit durch die Einnahme von Drogen, Alkohol oder Medikamenten beeinträchtigt ist. Ein Moment der Unaufmerksamkeit beim Bedienen eines Elektrowerkzeugs kann zu schweren Verletzungen führen.
2. Tragen Sie Kleidung, persönliche Schutzausrüstung und immer eine Schutzbrille. Das Tragen persönlicher Schutzkleidung und -ausrüstung wie Atemmaske, rutschfesten Schuhen, Helm oder Gehörschutz verringert das Verletzungsrisiko.
3. Vermeiden Sie versehentliches Zünden. Stellen Sie sicher, dass sich das Elektrowerkzeug in der Position "OFF" (= Aus) befindet, bevor Sie den Stecker in die Steckdose stecken und /oder die Batterie anschließen. Das Tragen des Geräts mit dem Finger am Schalter oder das Einstecken des Geräts im eingeschalteten Zustand kann zu Unfällen führen.
4. Entfernen Sie alle Werkzeuge oder Schraubenschlüssel, bevor Sie das Elektrogerät einschalten. Ein Werkzeug oder ein Schraubenschlüssel in einem beweglichen Teil des Geräts kann zu Verletzungen führen.
5. Vermeiden Sie unsichere Körperpositionen. Finden Sie eine sichere Position und halten Sie Ihr Gleichgewicht jederzeit aufrecht. Auf diese Weise können Sie das elektrische Gerät im Falle einer unerwarteten Situation besser steuern.

ALLGEMEINE SICHERHEITSBESTIMMUNGEN

6. Geeignete Kleidung tragen. Tragen Sie keine lose Kleidung oder Schmuck. Halten Sie Haare, Kleidung und Handschuhe von beweglichen Teilen fern. Lose Kleidung, Schmuck und lange Haare können sich in beweglichen Teilen verfangen.
7. Wenn Saug- und Staubsammelvorrichtungen angebracht werden können, stellen Sie sicher, dass diese sicher angebracht sind und ordnungsgemäß verwendet werden. Die Verwendung dieser Geräte verringert das Staubrisiko.
8. Lassen Sie nicht zu, dass die Vertrautheit, die Sie durch den häufigen Gebrauch von Werkzeugen gewonnen haben, dazu führt, dass Sie selbstgefällig werden und die Sicherheitsgrundsätze für Werkzeuge ignorieren. Eine unvorsichtige Handlung kann innerhalb von Sekundenbruchteilen zu schweren Verletzungen führen.
5. Warten Sie das Elektrowerkzeug sorgfältig. Stellen Sie sicher, dass die beweglichen Teile ausgerichtet sind und nicht kleben, und daß kein Teil so stark beschädigt ist, dass der Betrieb des Geräts beeinträchtigt wird. Lassen Sie beschädigte Teile reparieren, bevor Sie das Gerät verwenden. Viele Unfälle werden durch unsachgemäße Wartung von Elektrowerkzeugen verursacht.
6. Schärfen Sie Ihre Schneidwerkzeuge und reinigen Sie sie. Sorgfältig gewartete Schneidwerkzeuge mit scharfen Schneidkanten verklemmen sich weniger und sind leichter zu führen.

VERWENDUNG UND WARTUNG DES ELEKTROWERKZEUGS

1. Überlasten Sie das Gerät nicht. Verwenden Sie das richtige Elektrowerkzeug für Ihre Aufgabe. Mit dem richtigen Werkzeug arbeiten Sie im angegebenen Arbeitsbereich besser und sicherer.
2. Verwenden Sie keine Elektrowerkzeuge mit einem defekten Schalter. Ein Elektrowerkzeug mit einem defekten Schalter ist gefährlich und muss repariert werden.
3. Ziehen Sie den Stecker aus der Steckdose und / oder den Akku aus dem Werkzeug, bevor Sie Einstellungen vornehmen, das Zubehör wechseln oder das Gerät aufbewahren. Diese Vorsichtsmaßnahme verhindert ein versehentliches Zünden des Gerätes.
4. Bewahren Sie nicht verwendete Elektrowerkzeuge außerhalb der Reichweite von Kindern auf. Verhindern Sie die Verwendung des Geräts durch Personen, die mit dem Gerät nicht vertraut sind oder diese Anweisungen nicht gelesen haben. Elektrowerkzeuge sind gefährlich, wenn sie von unerfahrenen Personen verwendet werden.

7. Verwenden Sie das Elektrowerkzeug, Zubehör, Klingen usw. gemäß diesen Anweisungen und auf die für diesen Gerätetyp vorgeschriebene Weise. Berücksichtigen Sie die Arbeitsbedingungen und die durchgeführten Aktivitäten. Die Verwendung von Elektrowerkzeugen für andere als die vorgesehenen Anwendungen kann zu gefährlichen Situationen führen.
8. Griffe und Greifflächen trocken, sauber und frei von Öl und Fett halten. Rutschige Griffe und Greifflächen ermöglichen keine sichere Handhabung und Kontrolle des Werkzeugs in unerwarteten Situationen. Dieses kann zu einer gefährlichen Situation führen.

VERWENDUNG UND WARTUNG DES BATTERIEWERKZEUGS

1. Laden Sie den Akku nur in vom Hersteller empfohlenen Ladegeräten auf. Das für einen bestimmten Batterietyp vorgesehene Ladegerät birgt eine Brandgefahr, wenn es mit einem anderen Batterietyp verwendet wird.
2. Verwenden Sie in Elektrowerkzeugen nur für diesen Zweck vorgesehene Batterien. Die Verwendung anderer Akkus kann zu Unfällen und Brandgefahr führen.

ALLGEMEINE SICHERHEITSBESTIMMUNGEN

3. Wenn der Akku nicht verwendet wird, halten Sie ihn von Metallgegenständen wie Büroklammern, Münzen, Schlüsseln, Nägeln, Schrauben oder anderen kleinen Metallgegenständen fern, die einen Stromfluss von einem Terminal zum Anderen herstellen können. Ein Kurzschluss zwischen den Batterieklemmen kann Verbrennungen oder einen Brand verursachen.
4. Unter missbräuchlichen Bedingungen kann Flüssigkeit aus der Batterie ausgestoßen werden. Kontakt vermeiden. Bei versehentlichem Kontakt mit Wasser abspülen. Wenn Flüssigkeit mit den Augen in Kontakt kommt, konsultieren Sie auch einen Arzt. Aus der Batterie ausgestoßene Flüssigkeit kann zu Reizungen oder Verbrennungen führen.
5. Verwenden Sie keine beschädigten oder veränderten Akkus oder Werkzeuge. Beschädigte oder veränderte Batterien können ein unvorhersehbares Verhalten zeigen, das zu Feuer, Explosion oder Verletzungsgefahr führen kann.
6. Setzen Sie einen Akku oder Werkzeug keinem Feuer oder übermäßiger Temperatur aus. Explosionsgefahr bei Einwirkung von Feuer oder Temperaturen über 130 °C (Temperatur „265 °F“).
7. Befolgen Sie alle Ladeanweisungen und laden Sie den Akku oder das Werkzeug nicht außerhalb des in der Anleitung angegebenen Temperaturbereichs. Unsachgemäßes Aufladen oder bei Temperaturen außerhalb des angegebenen Bereichs kann den Akku beschädigen und die Brandgefahr erhöhen.



Hinweis: Der Akku muss vor der Verwendung aufgeladen werden.

WICHTIG
VOR GEBRAUCH SORGFÄLTIG LESEN.
Zum späteren Nachschlagen aufbewahren.
Tipps zur sicheren Verwendung von Gartengebläsen

SCHULUNG

1. Lesen Sie die Anweisungen sorgfältig durch. Seien Sie mit den Bedienelementen und der richtigen Verwendung der Maschine vertraut.
2. Lassen Sie niemals Kinder oder ungeschulte Personen diese Maschine verwenden. Örtliche Vorschriften können das Alter des Benutzers einschränken.
3. Bedenken Sie, dass der Betreiber bzw. Benutzer für Unfälle oder Gefahren für andere Personen oder deren Eigentum verantwortlich ist.

VORBEREITUNG

1. Besorgen Sie sich Gehörschutz und Schutzbrille. Tragen Sie sie immer während des Betriebs der Maschine.
2. Tragen Sie beim Betrieb der Maschine stets festes Schuhwerk und lange Hosen. Bedienen Sie die Maschine nicht barfuß oder mit offenen Sandalen. Vermeiden Sie Kleidung, die locker sitzt oder hängende Teile hat.
3. Tragen Sie keine weite Kleidung oder Schmuck, was durch den Lufteinlass angesaugt werden kann. Halten Sie lange Haare von den Lufteinlässen fern.
4. Betreiben Sie die Maschine in der empfohlenen Position und nur auf festem, ebenem Untergrund.
5. Betreiben Sie die Maschine nicht auf gepflastertem Untergrund oder Kiesoberfläche, wo Material ausgeworfen wird. Das kann zu Verletzungen führen.
6. Führen Sie vor der Verwendung stets eine Sichtprüfung durch. Überprüfen Sie verkleinerte Teile, wie Bolzen und andere Befestigungselemente, daß das Gehäuse unbeschädigt ist und das Schutzvorrichtungen und Abschirmungen vorhanden sind. Ersetzen Sie verschlissene oder beschädigte Bauteile um eine korrekte Maschine zu bewahren. Ersetzen Sie beschädigte bzw. unleserliche Etiketten.

ALLGEMEINE SICHERHEITSBESTIMMUNGEN

7. Betreiben Sie die Maschine niemals, während Personen, insbesondere Kinder oder Haustiere, in der Nähe sind.

BETRIEB

1. Stellen Sie vor dem Starten der Maschine sicher, dass der Lufteinlass nicht blockiert ist.
2. Halten Sie Gesicht und Körper vom Lufteinlass fern.
3. Lassen Sie keine Hände oder andere Körperteile oder Kleidung im Lufteinlass, Auswurfkanal oder in der Nähe von beweglichen Teilen.
4. Halten Sie stets das Gleichgewicht und die Füße. Lehnen Sie sich nicht nach vorne. Stehen Sie bei der Materialzufuhr niemals höher als der Maschinensockel.
5. Halten Sie sich bei der Verwendung der Maschine stets vom Luftaustrittsbereich fern.
6. Achten Sie beim Einfüllen von Material in die Maschine darauf, dass keine Metallteile, Steine, Flaschen, Dosen oder andere Fremdkörper in die Maschine gelangen.
7. Wenn der Schneidmechanismus auf einen Fremdkörper trifft oder die Maschine ungewöhnliche Geräusche oder Vibrationen von sich gibt, schalten Sie sofort die Stromquelle aus und lassen Sie die Maschine anhalten. Trennen Sie das Gerät vom Stromnetz und führen Sie die folgenden Schritte aus, bevor Sie es neu starten und verwenden:
Überprüfen Sie, dass keine Schäden vorliegen.
B. beschädigte Teile ersetzen oder reparieren lassen. Überprüfen Sie, ob lose Teile vorhanden sind, und ziehen Sie diese fest.
8. Lassen Sie nicht zu, dass sich verarbeitetes Material im Auswurfbereich ansammelt. Dies kann eine ordnungsgemäße Entladung verhindern und dazu führen, dass Material aus der Einlassöffnung zurückprallt.
9. Wenn die Maschine verstopft ist, schalten Sie die Stromquelle aus und ziehen Sie den Netzstecker, bevor Sie den Schmutz entfernen.

10. Benutzen Sie die Maschine niemals, wenn die Schutzvorrichtungen defekt sind oder keine Sicherheitsvorrichtungen vorhanden sind, beispielsweise wenn der Schmutzfänger nicht angebracht ist. Halten Sie die Stromquelle frei von Schmutz und anderen Ablagerungen, um Schäden an der Stromquelle oder einen Brand zu vermeiden.
12. Tragen Sie diese Maschine nicht, wenn die Stromquelle eingeschaltet ist.
13. Kippen Sie die Maschine nicht, während die Stromquelle eingeschaltet ist.

WARTUNG UND LAGERUNG

1. Wenn die Maschine angehalten wird, um Wartung, Inspektion, Lagerung oder ein Zubehörteil zu wechseln, schalten Sie die Stromquelle ab, trennen Sie die Maschine vom Netz und vergewissern Sie sich, dass alle beweglichen Teile vollständig zum Stillstand gekommen sind. Lassen Sie die Maschine abkühlen, bevor Sie irgendwelche Inspektionen, Einstellungen usw. vornehmen. Pflegen Sie die Maschine mit Sorgfalt und halten Sie sie sauber.
2. Lagern Sie die Maschine an einem trockenen Ort außerhalb der Reichweite von Kindern.
3. Lassen Sie immer die Maschine vor einer Lagerung abkühlen.
4. Ersetzen Sie aus Sicherheitsgründen verschlissene oder beschädigte Teile. Verwenden Sie nur Originalersatzteile und Zubehör.
5. Versuchen Sie niemals, die Schutzvorrichtung außer Kraft zu setzen.

ALLGEMEINE SICHERHEITSBESTIMMUNGEN

WARTUNG

1. Lassen Sie das Gerät nur von qualifiziertem Personal mit nur identischen Ersatzteilen reparieren, um die Sicherheit des Werkzeugs zu gewährleisten.
2. Warten Sie niemals beschädigte Akkus. Die Wartung von Batteriepacks sollte nur vom Hersteller oder autorisierten Dienstleistern durchgeführt werden.

WARTUNG

Persönliche Schutzausrüstung verwenden.

1. Hohe Schallpegel können zu Gehörschäden führen. Tragen Sie immer einen Gehörschutz beim Betrieb dieses Werkzeugs.

2. Testen Sie das Werkzeug, um die Drehrichtung vor dem praktischen Gebrauch zu bestätigen. Dadurch wird die potenzielle Gefahr aufgrund einer unerwarteten Drehrichtung verringert.
3. Längerer Gebrauch führt zu Ermüdung des Benutzers. Aus Sicherheitsgründen werden regelmäßige Pausen empfohlen.
4. Lagern Sie dieses Werkzeug nicht an Orten, an denen es hoher Luftfeuchtigkeit ausgesetzt ist.
5. Verhindern Sie Vibrationen und verwenden Sie den Schlüssel in kurzer Zeit. Tragen Sie vibrationsdämpfende Handschuhe und achten Sie darauf, dass sich keine Teile der Handschuhe lösen, um ein Verfangen durch den Schraubenschlüssel zu verhindern.


SICHERHEITS-HINWEISE

Sicherheitssymbole sollen Sie auf mögliche Gefahren aufmerksam machen. Die Sicherheitssymbole und die dazugehörigen Erklärungen verdienen Ihre Aufmerksamkeit und Ihr Verständnis. Symbolwarnungen allein beseitigen nicht alle Gefahren. Die Anweisungen und Warnungen, die sie geben, sind kein Ersatz für geeignete Unfallverhütungsmaßnahmen.

WARNUNG

Lesen und verstehen Sie alle Sicherheitshinweise in diesem Handbuch, einschließlich aller Sicherheitswarnsymbole wie „GEFAHR“, „WARNUNG“ und „VORSICHT“, bevor Sie dieses Tool verwenden. Die Nichtbeachtung aller nachstehenden Anweisungen kann zu Stromschlägen, Bränden und / oder schweren Verletzungen führen.

SYMBOL BEDEUTUNG

 **SICHERHEITSWARNSYMBOL:** Zeigt eine GEFAHR, WARNUNG oder VORSICHT an. Kann mit anderen Symbolen oder Piktogrammen verwendet werden.

GEFAHR Weist auf eine unmittelbar gefährliche Situation hin, die, wenn sie nicht vermieden wird, zum Tod oder zu schweren Verletzungen führen kann.



WARNUNG Weist auf eine potenziell gefährliche Situation hin, die, wenn sie nicht vermieden wird, zum Tod oder zu schweren Verletzungen führen kann.



VORSICHT Weist auf eine potenziell gefährliche Situation hin, die, wenn sie nicht vermieden wird, zu leichten oder mittelschweren Verletzungen führen kann.



WARNUNG







Lesen Sie alle mit dem Symbol  gekennzeichneten Sicherheitshinweise und Anweisungen.

SICHERHEITS SYMBOLE

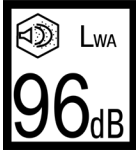


Einige dieser folgenden Symbole können für dieses Gerät verwendet werden. Bitte lesen Sie gründlich die Symbole und deren Bedeutung. Durch die richtige Interpretation dieser Symbole können Sie das Werkzeug besser und sicherer bedienen.

Gefährlicher Ort	Vorsicht	Markierung
Akku-Laubbläser benutzen	Elektrostatische Entladungsgeräte, die für Personen mit Herzschrittmachern gefährlich sein können. Wenn die relative Luftfeuchtigkeit weniger als 20 % beträgt, verwenden Sie bitte einen statischen Eliminator, um das elektrostatische Phänomen zu unterdrücken und die Gefahr eines elektrischen Schlags durch elektrostatische Aufladung zu verhindern.	
Akku-Laubbläser benutzen	Augenschutz mit Sicherheitsglas	
Akku-Laubbläser benutzen	Lesen Sie die Bedienungsanleitung sorgfältig durch, bevor Sie mit der Inbetriebnahme, dem Betrieb, der Wartung oder anderen Arbeiten am Werkzeug fortfahren.	
Akku-Laubbläser benutzen	Gehörschutz	
Akku-Laubbläser benutzen	Verhindern Sie Vibrationen und die Verwendung von Schraubenschlüsseln in kurzer Zeit. Tragen Sie vibrationsdämpfende Handschuhe und achten Sie darauf, dass sich keine Teile der Handschuhe lösen, um ein Verfangen durch den Schraubenschlüssel zu verhindern.	
Akku-Laubbläser benutzen	Handschuhe und Staubmaske müssen getragen werden.	
Akku-Laubbläser benutzen	Das Gerät darf nicht dem Regen ausgesetzt oder in Wasser getaucht werden.	

SICHERHEITS SYMBOLE

<p>Akku-Laubbläser benutzen</p>	<p>Achten Sie darauf, dass kein Teil des Geräts mit Flammen in Berührung kommt oder Feuer fangen kann.</p>	
<p>Akku-Laubbläser benutzen</p>	<p>Setzen Sie den Akku oder das Werkzeug nicht dem Feuer oder übermäßigen Temperaturen aus.</p>	
<p>Akku-Laubbläser benutzen</p>	<p>Dieses Symbol wird in dieser Anleitung verwendet, um den Benutzer vor möglichen Risiken zu warnen. Bitte lesen und verstehen Sie diese Abschnitte, bevor Sie das Gerät benutzen.</p>	
<p>Akku-Laubbläser benutzen</p>	<p>Nicht dem Regen aussetzen</p>	
<p>Akku-Laubbläser benutzen</p>	<p>Unbeteiligte fernhalten</p>	
<p>Akku-Laubbläser benutzen</p>	<p>Gefahr durch aufgewirbelte Teile! Unbeteiligte fernhalten</p>	

SICHERHEITS SYMBOLE

Akku-Laubbläser benutzen	Der auf diesem Etikett angezeigte, garantierte Schalleistungspegel beträgt 96 dB.	
Gleichstrom	Art oder Eigenschaft des Stroms	
Leerlaufdrehzahl	Drehzahl ohne Last	n_0
Konstruktion der Klasse II	Doppelt isolierte Konstruktion	
Pro Minute	Umdrehungen, Hübe, Oberflächengeschwindigkeit Orbits usw. pro Minute	.../min or min ⁻¹

⚠️ WARNUNG

Um Sicherheit und Zuverlässigkeit zu gewährleisten, sollten alle Reparaturen von einem qualifizierten Servicetechniker durchgeführt werden.

SPEZIFISCHE SICHERHEITS-REGELN

SPEZIFISCHE SICHERHEITSBESTIMMUNGEN

1. Verwenden Sie den Akku nur mit dem unten genannten Ladegerät:

AKKU	LADEGERÄT
DB-1850P	DC-18A

WARNUNG

Benutzung nur mit  Li-Ionen Akku.

Benutzung nur mit  Ladegerät.

2. Tragen Sie bei Verwendung dieses Werkzeugs immer einen Augenschutz.
3. Vermeiden Sie Vibrationen und die Verwendung eines Schraubenschlüssels in kurzer Zeit. Tragen Sie vibrationsabsorbierende Handschuhe und achten Sie darauf, dass sich keine Teile der Handschuhe lösen, damit sie sich nicht mit dem Schraubenschlüssel verfangen.
4. Stellen Sie sicher, dass der Schalter auf OFF steht, bevor Sie eine Batterie einlegen. Das Einlegen des Akkus in ein eingeschaltetes, tragbares Gerät kann zu Unfällen führen.
5. Überprüfen Sie das Zubehör vor dem Einbau sorgfältig auf Abnutzung, Risse oder Beschädigungen.
6. Bits, Sockel und Werkzeuge werden während des Betriebs heiß. Tragen Sie Handschuhe, wenn Sie sie berühren.
7. Entfernen Sie den Akku, bevor Sie das Zubehör wechseln. Ein versehentlicher Start kann auftreten, da tragbare Geräte mit eingelegter Batterie in einem dauerhaften Betriebszustand sind.

WARNUNG

Einige Stäube, die durch Schleifen, Schneiden, Bohren oder andere Bautätigkeiten entstehen, können Chemikalien enthalten, von denen bekannt ist, dass sie Krebs, Geburtsfehler oder andere reproduktive Schäden verursachen. Hier einige Beispiele für diese Chemikalien:

- Blei aus bleihaltigen Farben
- Kristalline Kieselsäure aus Ziegeln und Zement und anderen auerwerksprodukten,
- Arsen und Chrom aus chemisch umgesetztem Holz.

Ihr Risiko durch diese Expositionen hängt davon ab, wie oft Sie diese Art von Arbeit ausführen. So verringern Sie die Exposition gegenüber diesen Chemikalien: Arbeiten Sie in einem gut belüfteten Bereich und mit zugelassener Sicherheitsausrüstung.

SICHERHEITSHINWEISE FÜR DAS LADEGERÄT

1. Lesen Sie vor der Verwendung des Ladegeräts alle Anweisungen und Warnungen in diesem Handbuch sowie auf dem Ladegerät, der Batterie und dem Batterieprodukt, um Missbrauch und mögliche Verletzungen oder Beschädigungen zu vermeiden.

VORSICHT

Um das Risiko eines Stromschlags oder einer Beschädigung des Ladegeräts und des Akkus zu verringern, laden Sie nur Lithium-Ionen Akkus, die speziell auf Ihrem Ladegerät angegeben sind. Andere Batterietypen können explodieren und Verletzungen oder Schäden verursachen.

2. Verwenden Sie das Ladegerät nicht im Freien oder bei Feuchtigkeit. Wenn Wasser in das Ladegerät gelangt, steigt das Risiko eines Stromschlags.

3. Die Verwendung von Zubehör, das vom Hersteller des Ladegeräts nicht empfohlen oder verkauft wird, kann zu Brand, Stromschlag oder Verletzungen führen.

4. Missbrauchen Sie weder das Kabel noch das Ladegerät. Tragen Sie das Ladegerät niemals am Kabel. Trennen Sie das Werkzeug niemals vom Netz, indem Sie am Kabel ziehen. Dies könnte das Kabel oder das Ladegerät beschädigen und einen Stromschlag verursachen. Ersetzen Sie beschädigte Kabel sofort.

5. Stellen Sie sicher, dass das Kabel an einem sicheren Ort aufbewahrt wird, damit niemand darauf treten oder darüber stolpern kann und dass es keinen Beschädigungen oder anderen Belastungen ausgesetzt ist. Dies verringert das Risiko versehentlicher Stürze, die zu Verletzungen führen und das Kabel beschädigen können, wodurch die Gefahr eines Stromschlags besteht.

6. Schützen Sie das Kabel und das Ladegerät vor Hitze, um Schäden am Gehäuse und an den Innenteilen zu vermeiden.

7. Schützen Sie die Kunststoffteile vor Benzin, Öl, Erdölprodukten usw. Diese Materialien enthalten Chemikalien, die Kunststoff beschädigen, schwächen oder zerstören können.

8. Verwenden Sie nur dann ein Verlängerungskabel, wenn dies unbedingt erforderlich ist. Die Verwendung eines ungeeigneten Verlängerungskabels kann zu Feuer, Stromschlag oder Stromschlag führen. Wenn ein Verlängerungskabel verwendet werden muss, stellen Sie Folgendes sicher:

- daß der Stecker des Kabels die gleiche Anzahl von Stiften hat wie der des Ladegeräts, und seine Stifte die gleiche Form und Größe haben.
- daß das Kabel gut verdrahtet und in gutem Zustand ist.
- daß die Größe groß genug für die unten angegebene Stromstärke des Ladegeräts ist:

Kabellänge (Fuß) 25' 50' 100'

Kabelgröße (AWG) **16 (AWG)**

ANMERKUNG: AWG = American Wire Gauge
(amerikanische Drahtstärke)

9. Betreiben Sie das Ladegerät nicht mit einem beschädigten Netzkabel oder Stecker, da die Gefahr eines Kurzschlusses und eines Stromschlags besteht. Wenn das Ladegerät beschädigt ist, lassen Sie es von einem autorisierten Techniker bei **m7** reparieren.

10. Betreiben Sie das Ladegerät nicht, wenn es einen schweren Schlag erlitten hat, heruntergefallen ist oder auf andere Weise beschädigt wurde. Bringen Sie das Ladegerät zu einem autorisierten Techniker bei **m7**, um eine elektrische Überprüfung durchzuführen, um festzustellen, ob das Ladegerät in einwandfreiem Zustand ist.

11. Zerlegen Sie das Ladegerät nicht. Bringen Sie es zu einem autorisierten Techniker bei **m7**, wenn eine Wartung oder Reparatur erforderlich ist. Ein falsch zusammengebautes Ladegerät kann zu Stromschlägen, Stromschlägen oder Bränden führen.

12. Ziehen Sie den Netzstecker aus der Steckdose, bevor Sie das Gerät reinigen oder warten. Diese Vorsichtsmaßnahme verringert das Risiko eines Stromschlags.

13. Trennen Sie das Ladegerät von der Stromversorgung, wenn es nicht verwendet wird. Dies verringert das Risiko eines Stromschlags und einer Beschädigung des Ladegeräts, wenn Metallgegenstände in die Öffnung fallen. Dies verhindert auch Schäden im Falle eines Stoßes.

14. Stromschlaggefahr! Berühren Sie nicht den nicht-isolierten Teil des Ausgangsanschlusses oder den nicht-isolierten Anschluss der Batterie.
15. Bewahren Sie diese Anweisungen sicher auf. Probieren Sie sie regelmäßig aus und informieren Sie andere über dieses Tool. Wenn Sie dieses Tool an eine andere Person ausleihen, leihen Sie die Anweisungen auch aus, um Missbrauch des Produkts und mögliche Verletzungen zu vermeiden.

WARNUNG

Einige Stäube, die durch Schleifen, Schneiden, Schleifen, Bohren oder andere Bautätigkeiten entstehen, können Chemikalien enthalten, von denen bekannt ist, dass sie Krebs, Geburtsfehler oder andere reproduktive Schäden verursachen. Hier einige Beispiele für diese Chemikalien:

- Blei aus bleihaltigen Farben
- Arsen und Chrom aus chemisch umgesetztem Holz.

Ihr Risiko durch diese Expositionen hängt davon ab, wie oft Sie diese Art von Arbeit ausführen. So verringern Sie die Exposition gegenüber diesen Chemikalien: Arbeiten Sie in einem gut belüfteten Bereich und mit zugelassener Sicherheitsausrüstung.

ALLGEMEINE INFORMATION

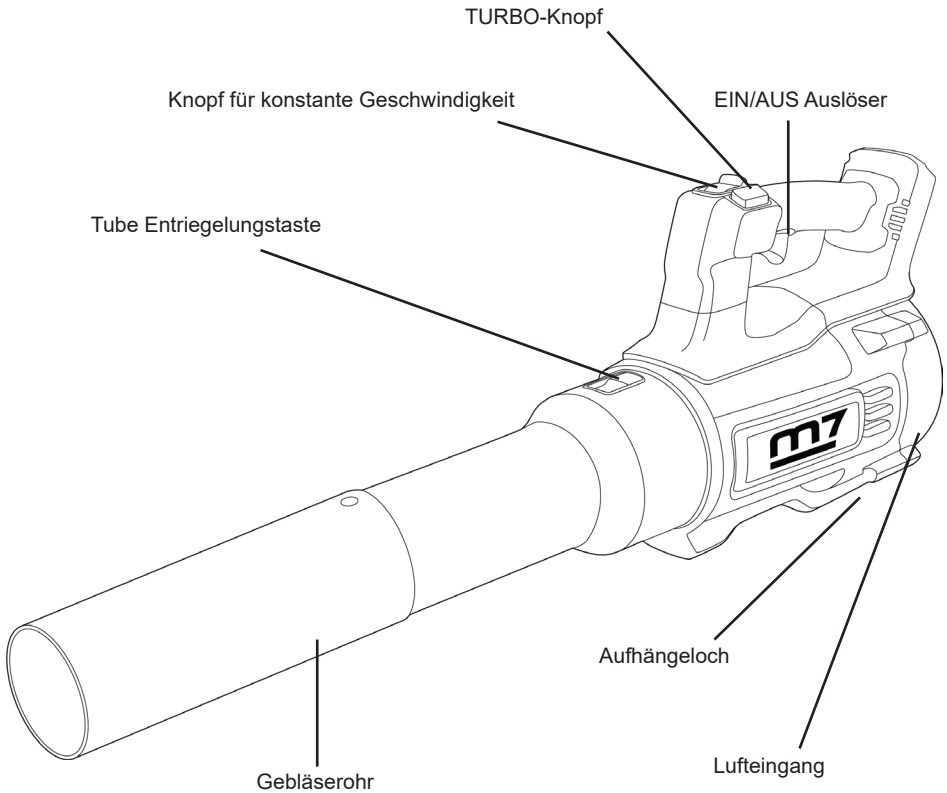
1. Die Seriennummer von Mighty Seven zeigt das Jahr in der 2./3. Ziffer und die Monate in der 4./5. Ziffer an.

BETRIEBSKONTROLLE




Diese Maschine ist zum Laubblasen bestimmt.


1. Hauptteile von DLB-102



BESCHREIBUNG

2. GERÄTE BESCHREIBUNG:

Modell	DLB-102
Li-Ionen-Akkupack	DB-1850P (5.0 Ah)
Ladeeingang (V)	220-240V~
Zulässiger Temperaturbereich (°C)	0-40
Nennspannung	18Vd.c. (18 )
Leerlauf Geschwindigkeit	7100-11600 min ⁻¹ \ 14000 min ⁻¹
Max. Luftdurchfluss	22,5-37,5 m/s \ 45 m/s
Luftmenge	230-380 cfm \ 460 cfm
Laufzeit 5.0Ah Akku	20 Minuten
Gewicht (kg)	2.6 kg

HINWEIS: Aufgrund des fortlaufenden Entwicklungsprogramms gelten die Spezifikationen in diesem Handbuch, die der allgemeinen Information dienen, als unverbindlich. Wir behalten uns das Recht vor, jederzeit und ohne vorherige Ankündigung Änderungen oder Ergänzungen an Teilen, Armaturen und Zubehör vorzunehmen, die wir aus welchem Grund auch immer für notwendig erachten. 

DLB-102:

A-bewertete Schalldruckpegelmessung: $L_{pA} = 88$ dB, Unsicherheit $K_{pA} = 3$ dB

A-bewerteter Schalleistungspegel wird berechnet: $L_{wA} = 95$ dB, Unsicherheit $K_{wA} = 1.1$ dB

Vibrationspegel (m/s^2): 0.2 m/s^2 , Unsicherheit $K = 1.5$ m/s^2



WARNUNG

Verhindern Sie Vibrationen und die Verwendung eines Schraubenschlüssels in kurzer Zeit. Tragen Sie vibrationsabsorbierende Handschuhe und achten Sie darauf, dass sich keine Teile der Handschuhe lösen, damit sie sich nicht mit dem Schraubenschlüssel verfangen.

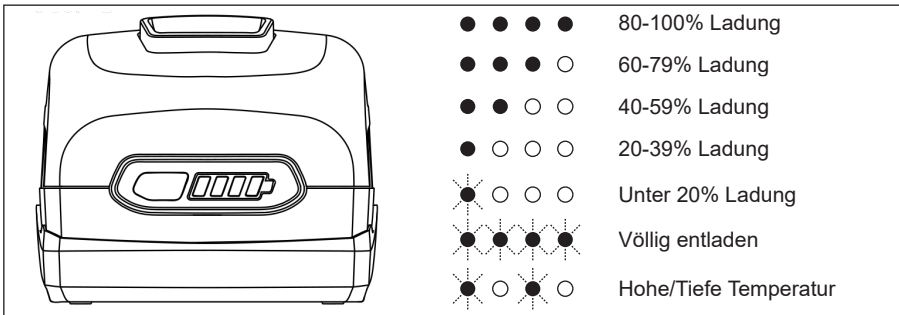
1. LED-ANZEIGE LADEGERÄT

LED ANZEIGE		AKKU	LED ROT	LED GRÜN	ACTION
HI/LO TEMP. (SIEHE ANLEITUNG)		Heiße/Kalte Batterie	An	Aus	Ladevorgang beginnt wenn Batterie zwischen 0°C-40°C
DEFEKTE BATTERIE		Defekt	Blinkend	Aus	Akku oder Ladergerät defekt
BATTERIE LADEN		Laden	Aus	Blinkend	Laden
BATTERIE VOLL		Volle Ladung	Aus	An	Ladevorgang komplett Wartungs-Laden

2. Ladeanzeige

Dieser Lithium-Ionen-Akku ist mit einer Ladeanzeige ausgestattet, über die die Restlaufzeit des Akkus angezeigt wird. Drücken Sie die Anzeigentaste, um die LED-Lichter anzuzeigen. Die LED-Lichter bleiben ca. 4 Sekunden eingeschaltet.

ANMERKUNG: Die Ladeanzeige kann unabhängig davon verwendet werden, ob die Batterie im Werkzeug ein- oder ausgesteckt ist.from tool.



3. ANZEIGE SCHWACHE LADUNG

- Wenn die LED-Anzeigen an der Ladeanzeige beim Drücken des Auslösers auf der Taste schnell und kontinuierlich blinken, wird der Akku entladen und muss aufgeladen werden.
- Im Gegensatz zu anderen Arten von Akkus liefern Lithium-Ionen Akkus für die Dauer des Akkus eine konstante und dauerhafte Leistung. Dieses Werkzeug verliert während der Arbeit nicht allmählich an Leistung. Um zu signalisieren, dass der Akku das Ende seiner Ladezeit erreicht hat, wird die Stromversorgung des Werkzeugs schnell unterbrochen. Die vier LED-Anzeigen an der Ladeanzeige blinken, wenn der Akku vollständig entladen ist. Entfernen Sie in diesem Fall das Werkzeug vom Werkstück und laden Sie den Akku gegebenenfalls wieder auf.

Hinweis: Die LED-Anzeigen an der Ladeanzeige können bei Überlastung oder hohen Temperaturen blinken.

4. WANN DER AKKU AUFGELADEN WERDEN SOLL

Legen Sie den Akku in das Ladergerät, um ihn neu zu starten, wenn der Akku geschützt ist. Der Lithium-Ionen Akku kann beim Aufladen nach einer Teilentladung jederzeit und ohne "Memory"-Effekt aufgeladen werden. Es ist nicht erforderlich, den Akku vor dem Aufladen zu entladen. Nehmen Sie den Akku aus dem Werkzeug, wann Sie es wünschen. Verwenden Sie die Ladeanzeige, um zu bestimmen, wann der Akku aufgeladen werden soll. Sie können die Batterieladung "aufladen", bevor Sie einen großen Auftrag oder eine lange Nutzungsdauer beginnen.

EIGENSCHAFTEN

⚠️ WARNUNG

Wenn ein Teil defekt ist oder fehlt, versuchen Sie NICHT, das Netzkabel anzuschließen, den Akku anzuschließen oder das Werkzeug zu verwenden, bis das defekte oder fehlende Teil ersetzt ist. Andernfalls kann es zu schweren Verletzungen kommen.

⚠️ WARNUNG

Versuchen Sie nicht, dieses Werkzeug zu ändern oder Zubehör zu erstellen, das für die Verwendung mit diesem Werkzeug nicht empfohlen wird. Eine solche Änderung oder Modifikation ist eine unsachgemäße Verwendung und kann zu einer gefährlichen Situation führen, die zu schweren Verletzungen führen kann.

⚠️ WARNUNG

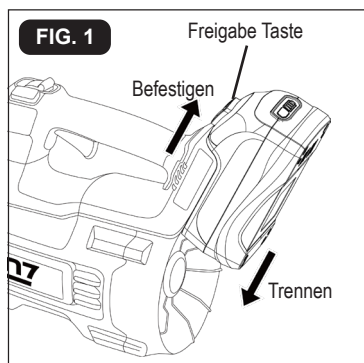
Ihr Werkzeug darf niemals an die Stromquelle angeschlossen werden, wenn Teile zusammengebaut, Einstellungen vorgenommen, Anwendungswerkzeuge installiert oder entfernt, gereinigt oder nicht verwendet werden. Durch Trennen des Werkzeugs wird ein versehentliches Starten verhindert, das zu schweren Verletzungen führen kann.

AUSPACKEN

1. Entfernen Sie vorsichtig das Werkzeug und Zubehör aus dem Karton. Stellen Sie sicher, dass alle die in der Packliste aufgeführten Artikel vorhanden sind.
2. Überprüfen Sie das Werkzeug sorgfältig und stellen Sie sicher, dass kein Bruch oder Schaden während des Versands aufgetreten ist.
3. Entsorgen Sie nicht das Verpackungsmaterial bevor Sie das Werkzeug sorgfältig geprüft und zufriedenstellend verwendet haben.

EIGENSCHAFTEN

EINSTECKEN DES AKKUS (FIG. 1)



1. Stellen Sie sicher, dass das Werkzeug ausgeschaltet ist.
2. Richten Sie die erhabene Rippe am Akku an den Rillen an der Unterseite des Akku-Werkzeugs aus und schieben Sie dann den Akku auf das Werkzeug.

HINWEIS: Stellen Sie vor dem Betrieb sicher, dass die Verriegelung am Akku einrastet und der Akku am Akkugerät befestigt ist.

HERAUSNEHMEN DER BATTERIE (FIG. 1)

1. Stellen Sie sicher, dass das Akku-Gerät ausgeschaltet ist.
2. Drücken Sie die atterieentriegelungstaste an der Batterie, um sie zu lösen.
3. Ziehen Sie den Akku heraus und entfernen Sie ihn vom Akku-Werkzeug.

BENUTZUNG

FIG. 2

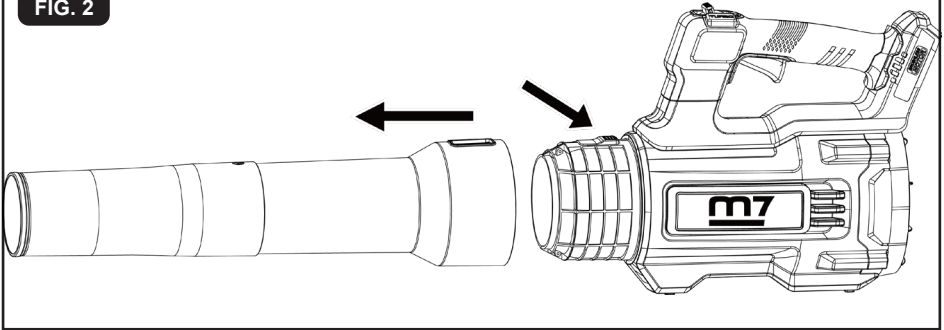
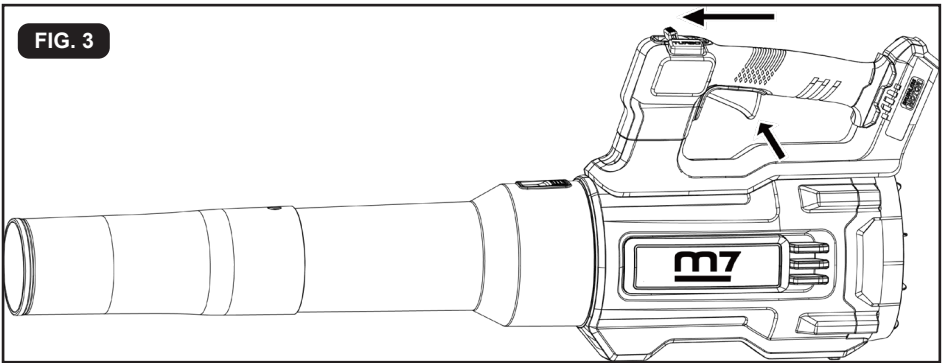


FIG. 3



⚠️ WARNUNG

Um ein versehentliches Starten zu vermeiden, das zu schweren Verletzungen führen kann, nehmen Sie immer den Akku immer aus dem Produkt, wenn Sie es zusammenbauen und einstellen.

STARTVORGANG

- Drücken Sie den ON/OFF-Auslöser zum Starten und lassen Sie ihn los, um das Elektrowerkzeug zu stoppen. Die Geschwindigkeit wird durch den Druck auf den Auslöser gesteuert.
- Für den Dauerbetrieb drücken Sie beim Drücken des ON/OFF-Abzugs gleichzeitig den Knopf für die konstante Geschwindigkeit nach vorne. Dann arbeitet das Gerät kontinuierlich mit konstanter Geschwindigkeit. Die Geschwindigkeit erhöht sich, wenn der Knopf nach links gedrückt wird, und wenn der Knopf wieder nach rechts gedreht wird, stoppt der Dauerbetrieb.
- Supergeschwindigkeit, drücken Sie die TURBO-Taste, das Gerät läuft mit Supergeschwindigkeit, wenn Sie sie loslassen, stoppt es.

ARBEITSHINWEISE

Blasen Sie niemals Erde in Richtung von Passanten.

Halten Sie das Elektrowerkzeug beim Arbeiten immer ca. 3 cm über dem Boden.

Blasen Sie keine heißen, brennbaren oder explosiven Materialien.

Achten Sie darauf, dass der Lufteinlass beim Ausblasen keine Verunreinigungen ansaugen kann.

BENUTZUNG

WARNUNG

Tragen Sie beim Arbeiten mit Elektrowerkzeugen oder beim Aufblasen von Staub immer eine Schutzbrille oder eine Schutzbrille mit Seitenschutz. Bei staubigem Betrieb zusätzlich Staubmaske tragen.

WARNUNG

Lassen Sie niemals Bremsflüssigkeiten, Benzin, Produkte auf Erdölbasis, Kriechöle usw. mit Kunststoffteilen in Kontakt kommen. Chemikalien können Kunststoff beschädigen, schwächen oder zerstören, was zu schweren Verletzungen führen kann.

BENUTZUNG

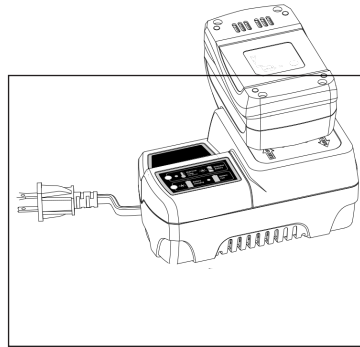
LADEVORGANG

Der Akku wird teilweise aufgeladen geliefert. Laden Sie das Ladegerät vor dem ersten Gebrauch vollständig auf, um die beste Akkuleistung zu gewährleisten. Das Aufladen eines vollständig entladenen DB-1850P-Akkus dauert bei Temperaturen von 0°C - 40°C ungefähr 50 Minuten.

1. Laden Sie den Lithium-Ionen Akku mit dem richtigen Ladegerät auf.
2. Schließen Sie das Ladegerät an die Stromversorgung an.
3. Richten Sie die hervorstehende Rippe am Akku auf die Nut im Ladegerät aus.
4. Schieben Sie den Akku in das Ladegerät
5. Das Ladegerät kommuniziert mit dem Akku, um den Zustand des Akkus zu beurteilen.
6. Die LED-Ladeanzeigen blinken während des Ladevorgangs von rechts nach links, dies ist Teil des normalen Ladevorgangs.

7. Wenn der Ladevorgang abgeschlossen ist, leuchtet die grüne LED-Anzeige weiter und die LED-Ladeanzeige leuchtet auf, wenn der Netzschalter gedrückt wird und sich der Akku im Ladegerät befindet.
8. Der Akku wird vollständig aufgeladen, wenn er im Ladegerät verbleibt, aber nicht überladen.

HINWEIS: Das Ladegerät kann mit den meisten Generatoren und Wechselrichtern mit einer Leistung von 300 Watt oder mehr betrieben werden.



WARTUNG

Das Werkzeug kann mit trockener Druckluft so effizient wie möglich gereinigt werden. Tragen Sie immer eine Schutzbrille, wenn Sie Werkzeuge mit Druckluft reinigen.

Verwenden Sie beim Reinigen von Kunststoffteilen keine Lösungsmittel. Die meisten Kunststoffe können durch verschiedene Arten von handelsüblichen Lösungsmitteln und deren Verwendung beschädigt werden. Verwenden Sie saubere Lappen, um Schmutz, Staub, Öl, Fett usw. zu entfernen.

VOR JEDER BENUTZUNG

1. Überprüfen Sie den Schlagschrauber, den Ein- / Ausschalter und das Zubehör auf Beschädigungen.
2. Überprüfen Sie, ob Teile beschädigt, fehlen oder abgenutzt sind.
3. Überprüfen Sie bewegliche Teile auf lose Schrauben, Fehlausrichtung oder Bindung oder andere Bedingungen, die den Betrieb beeinträchtigen können.

4. Wenn ungewöhnliche Geräusche oder Vibrationen auftreten, schalten Sie das Werkzeug sofort aus und beheben Sie das Problem, bevor Sie es weiter verwenden.
5. Entfernen Sie den Akku vom Schlagschrauber, bevor Sie ihn reinigen oder warten. Die Verwendung von Druckluft kann die effektivste Reinigungsmethode sein. Tragen Sie immer eine Schutzbrille, wenn Sie Werkzeuge mit Druckluft reinigen.

SCHMIEREN

Alle Lager in diesem Werkzeug sind mit einer ausreichenden Menge an hochwertigem Schmiermittel für die Lebensdauer des Geräts unter normalen Bedingungen geschmiert. Daher ist keine zusätzliche Schmierung erforderlich.

ZUBEHÖR

Non

FEHLERBEHEBUNG

Entfernen Sie den Akku aus dem Elektrowerkzeug, bevor Sie Arbeiten am Elektrowerkzeug durchführen (z. B. Wartung, Werkzeugwechsel usw.). Auch für Transport und Lagerung sollte der Akku entnommen werden. Es besteht Verletzungsgefahr, wenn der Ein-/Ausschalter versehentlich gedrückt wird. Um einen sicheren und effizienten Betrieb zu gewährleisten, halten Sie das Elektrowerkzeug und die Lüftungsschlitze stets sauber.

PROBLEM	GRUND	LÖSUNG
Akku-Gebläse funktioniert nicht.	Die Batterie ist leer.	Laden Sie den Akku auf.
Akku-Gebläse funktioniert nicht und die LED-Arbeitsleuchte des Geräts blinkt.	Das Werkzeug ist überhitzt.	Lassen Sie das Werkzeug abkühlen.
Akku-Gebläse funktioniert nicht und die LED-Leuchte des Akkupacks blinkt.	Der Akku ist überhitzt.	Lassen Sie die Batterie abkühlen.

UMWELTSCHUTZ



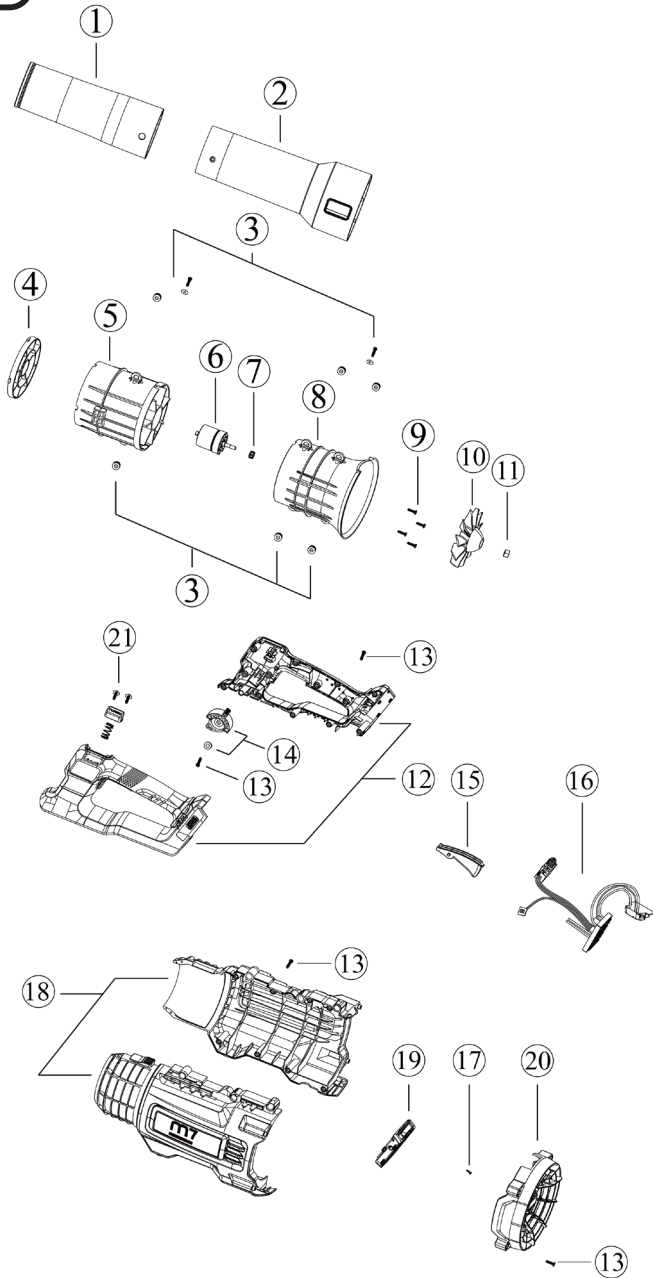
1. Werkzeug, Zubehör und Verpackung sollten für ein umweltfreundliches Recycling sortiert werden.
2. Elektrowerkzeuge und Zubehör enthalten am Ende ihrer Nutzungsdauer noch große Mengen wertvoller Rohstoffe und Kunststoffe, die auch in einen Recyclingprozess zurückgeführt werden können.
3. Bei der Arbeit entstehender Staub enthält schädliche Chemikalien, die von einer speziellen Müllrecyclingstelle gesammelt werden müssen.
4. Entsorgen Sie das Werkzeug am Ende seiner Lebensdauer umweltgerecht:
 - Leeren Sie den Akku vollständig und entfernen Sie ihn dann aus dem Werkzeug.
 - Li-Ionen Zellen sind recycelbar. Bringen Sie sie zu Ihrem Händler oder einer örtlichen Recyclingstation. Die gesammelten Akkupacks werden recycelt oder fachgerecht entsorgt.

BEDIENUNG

1. Wenden Sie sich bei Garantie, Reparatur oder Kauf von Ersatzteilen immer an ein autorisiertes Servicecenter. Bringen Sie die Servicekarte und die Rechnung mit.
2. Die Garantie gilt nicht für normalen Verschleiß, Überlastung oder abnormale Verwendung des Produkts.



Akku-Laubbläser
Artikelnummer : DLB - 102



Ersatzteile **DLB - 102**


NO.	INDEX NO.	DESCRIPTION	Q'TY
1	DLB-102P01	EXHAUST TUBE CASING	1
2	DLB-102P02	EXHAUST TUBE	1
3	DLB-102T03	SCREW ASSEMBLY	1 SET
4	DLB-102P04	RETAINING RING	1
5	DLB-102P05	CONE SECTION	1
6	DLB-102P06	MOTOR	1
7	DLB-102P07	AXLE SLEEVE	1
8	DLB-102P08	BELL TUBE	1
9	DLB-102T09	ST4*10 SCREW (4 PCS)	1 SET
10	DLB-102P10	FAN	1
11	DLB-102P11	NUT M5	1
12	DLB-102T12	HANDLE	1 SET
13	DLB-102T13	ST3.9*14 SCREW (26 PCS)	1 SET
14	DLB-102T14	CONSTANT SPEED KNOB	1 SET
15	DLB-102P15	TRIGGER	1
16	DLB-102T16	ELECTRONICS ASSEMBLY	1 SET
17	DLB-102P17	ST2.9*10 SCREW	1
18	DLB-102T18	MOTOR HOUSE	1 SET
19	DLB-102T19	BATTERY CONNECTING DEVICE	1 SET
20	DLB-102P20	BACK COVER	1
21	DLB-102T21	TRIGGER SET	1 SET

Garantie Karte

Begrenzte Hersteller-Garantie

Mighty Seven International Co., LTD. bietet eine begrenzte Garantie auf durch **Mighty Seven** hergestellte und durch die weltweit befugten Weiterverkäufer verkauften Produkte. Die begrenzte Garantie wird auf defektes Material und Verarbeitung angewendet, aber nicht bei Missbrauch, unsachgemässer Anwendung oder Ausstellungswaren. Wenn Sie ein defektes **Mighty Seven** Produkt haben, senden Sie es bitte auf Ihre Kosten zur Verkaufsstelle, mit Ihrer Adresse und Kontaktdaten. Reparaturen oder Austausch sind wie oben beschrieben Garantieleistungen; andernfalls werden Service oder Reparaturen in Rechnung gestellt.

Bitte diese Karte für Garantiefälle aufbewahren

Kaufdatum	Modell Nr.
Garantieablaufdatum:	Seriennummer
Händlerstempel	
	

Kaufdatum:	Modell Nr.:
Garantieablaufdatum:	Seriennummer:
Name:	
Name der Firma:	
Adresse:	
Tel:	Fax:
E-Mail:	
Geschäftsart:	
<input type="checkbox"/> Landwirtschaft	<input type="checkbox"/> Lack & Karosserie Reparatur
<input type="checkbox"/> Allgemeine Autoreparatur	<input type="checkbox"/> Öffentliche Arbeit / Regierungs-Dienstprogramme
<input type="checkbox"/> Reifen	<input type="checkbox"/> Fabrik
<input type="checkbox"/> Lkw-Wartung / Reparatur	<input type="checkbox"/> Heimgebrauch
<input type="checkbox"/> Autohersteller	<input type="checkbox"/> Andere

NORMAS GENERALES DE SEGURIDAD

ADVERTENCIAS GENERALES DE SEGURIDAD PARA HERRAMIENTA DE BATERÍA

La máquina está diseñada para soplar polvo.

SEGURIDAD GENERAL DE LAS HERRAMIENTAS DE BATERÍA ADVERTENCIAS

ADVERTENCIA

Si no se observan las siguientes precauciones de seguridad, se pueden producir descargas eléctricas, incendios y/o lesiones personales graves.

GUARDE ESTAS INSTRUCCIONES

El término "herramienta de batería" en todas las siguientes advertencias se refiere a su herramienta eléctrica alimentada por la red eléctrica (con cable) o por batería (sin cable).

SEGURIDAD EN EL ÁREA DE TRABAJO

1. Mantenga su área de trabajo limpia y bien iluminada. Las zonas desordenadas u oscuras presentan un riesgo de accidentes
2. No utilice nunca herramientas de batería en entornos explosivos, por ejemplo, en presencia de líquidos, gases o polvos inflamables. Las herramientas de batería crean chispas que pueden encender el polvo o el humo.
3. Nunca permita que los niños u otras personas se acerquen a la herramientas de batería mientras está en uso. Cualquier distracción puede causar la pérdida de control de la unidad.

SEGURIDAD ELÉCTRICA

1. Los enchufes de las herramientas de batería deben coincidir con la toma de corriente. Nunca modifique el enchufe de ninguna manera. No utilice enchufes adaptadores con herramientas eléctricas con conexión a tierra. Los enchufes no modificados y las tomas de corriente correspondientes reducirán el riesgo de descargas eléctricas.
2. Evitar el contacto del cuerpo con superficies conectadas a tierra o a la masa como tuberías, radiadores, hornos o refrigeradores. El riesgo de descarga eléctrica aumenta cuando el cuerpo está conectado a tierra.

3. No exponga las herramientas de batería a la lluvia o a la humedad. La penetración de agua en un aparato eléctrico aumenta el riesgo de descarga eléctrica.
4. No manipule mal el cable. No lleve la herramienta por el cable. Desconecte el cable de la corriente sólo tirando del enchufe. Proteja el cable del aceite, el calor, los bordes afilados y las partes móviles. Un cable dañado o enredado aumenta el riesgo de una descarga eléctrica.
5. Para el trabajo en el exterior, use sólo cables de extensión aprobados para este fin. El uso de un cable de extensión compatible para uso en exteriores reduce el riesgo de descargas eléctricas.
6. Si es inevitable utilizar una herramienta eléctrica en un lugar húmedo, utilice una fuente de alimentación protegida por un interruptor diferencial (RCD). El uso de un RCD reduce el riesgo de descarga eléctrica.

SEGURIDAD DE LAS PERSONAS

1. Tenga cuidado. Preste atención con lo que está haciendo y trabaje con calma y reflexión con una herramienta de batería. No utilice el aparato si está cansado, si no está concentrado o si su capacidad de reacción se ve afectada por la ingestión de drogas, alcohol o medicamentos. Un descuido durante el uso de una herramienta de batería puede causar lesiones graves.
2. Lleve ropa, equipo de protección individual y siempre gafas de seguridad. El uso de ropa y equipo de protección individual, como una máscara respiratoria, zapatos antideslizantes, cascos o protecciones acústicas, reduce el riesgo de lesiones.
3. Evite el encendido involuntario. Asegúrese de que la herramienta de batería esté en la posición "OFF" antes de insertar el enchufe en la toma de corriente y/o antes de conectar la batería. Llevar el aparato con el dedo en el interruptor o enchufarlo mientras está encendido puede causar accidentes.
4. Mantenga todas las herramientas y llaves alejadas del aparato antes de encenderlo. Una herramienta o una llave en una parte móvil del aparato puede causar lesiones.

NORMAS GENERALES DE SEGURIDAD

5. Evite cualquier posición anormal del cuerpo. Encuentre una posición segura y mantenga el equilibrio en todo momento. Esto le dará un mejor control del aparato eléctrico en caso de una situación inesperada.
6. Use ropa adecuada. No use ropa suelta o joyas. Mantenga el pelo, la ropa y los guantes alejados de las partes móviles. La ropa suelta, las joyas y el pelo largo pueden quedar atrapados en las partes móviles.
7. Si instala dispositivos de extracción y recolección de polvo, asegúrese de que estén bien sujetos y se utilicen adecuadamente. El uso de estos dispositivos reduce los riesgos debidos al polvo.
8. No permita que la familiaridad adquirida por el uso frecuente de las herramientas le permita volverse descuidado e ignorar los principios de seguridad de las mismas. Una acción descuidada puede causar lesiones graves en una fracción de segundo.

FUNCIONAMIENTO Y MANTENIMIENTO DE LA HERRAMIENTAS DE BATERÍA

1. No sobrecargue el aparato. Utilice la herramienta de batería adecuada para el trabajo. Trabajaré mejor y más seguro en el campo de trabajo indicado utilizando la herramienta apropiada.
2. No utilice herramientas de batería con interruptores defectuosos. Una herramienta electroportátil cuyo interruptor ya no funciona es peligrosa y debe ser reparada.
3. Retire el enchufe de alimentación y/o las baterías de la herramienta antes de hacer ajustes, antes de cambiar accesorios o antes de guardar el aparato. Esta medida de precaución evita que la herramienta se encienda inadvertidamente.
4. Mantenga las herramientas de batería no utilizadas fuera del alcance de los niños. Impedir el uso del aparato a personas que no estén familiarizadas con él o que no hayan leído estas instrucciones. Las herramientas de batería son peligrosas si son usadas por personas inexpertas.

5. Mantenga cuidadosamente las herramientas electroportátiles. Compruebe que las piezas móviles estén alineadas y no se peguen, y que no haya piezas rotas o dañadas en la medida en que afecten al funcionamiento de la herramienta. Haga reparar cualquier parte dañada antes de usarla. Muchos accidentes se deben al mal mantenimiento de las herramientas electroportátiles.
6. Afíle sus herramientas de corte y límpielas. Las herramientas de corte con bordes afilados se atascan menos y son más fáciles de guiar.
7. Utilice la herramienta de batería, los accesorios, las cuchillas, etc. , según sea necesario, de acuerdo con estas instrucciones y en la forma detallada para este tipo de aparatos. Tener en cuenta las condiciones de trabajo y las actividades realizadas. El uso de herramientas de batería para aplicaciones distintas a las previstas puede conducir a situaciones peligrosas.
8. Mantenga las empuñaduras y las superficies de agarre secas, limpias y libres de aceite y grasa. Las empuñaduras y superficies de agarre resbaladizas no permiten un manejo y control seguro de la herramienta en situaciones inesperadas. Las previstas podrían dar lugar a una situación de peligro.

UTILIZACIÓN Y MANTENIMIENTO DE LA HERRAMIENTA CON BATERÍA

1. Cargue la batería recargable sólo en los cargadores recomendados por el fabricante. El cargador destinado a un determinado tipo de batería presenta un riesgo de incendio cuando se utiliza con un tipo de batería diferente.
2. Utilice únicamente las baterías destinadas a este fin en las herramientas electromecánicas. El uso de otras baterías puede causar accidentes y presenta un riesgo de incendio.
3. Cuando la batería no esté en uso, manténgala alejada de objetos metálicos, como clips, monedas, llaves, clavos, tornillos u otros pequeños objetos metálicos que puedan establecer una conexión de un terminal a otro. Un cortocircuito entre los terminales de la batería puede causar quemaduras o fuego.

NORMAS GENERALES DE SEGURIDAD

4. En condiciones abusivas, un líquido puede ser expulsado de la batería; evite el contacto. En caso de contacto accidental, enjuague con agua. Si el líquido entra en contacto con los ojos, consulte también a un médico. El líquido expulsado de la batería puede causar irritación o quemaduras.
5. No utilice una batería o herramienta que esté dañada o modificada. Las baterías dañadas o modificadas pueden tener un comportamiento imprevisible que provoque un incendio, una explosión o un riesgo de lesiones.
6. No exponga una batería o herramienta al fuego o a una temperatura excesiva. La exposición al fuego o a una temperatura superior a 130 °C puede provocar una explosión (temperatura "265 °F").
7. Siga todas las instrucciones de carga y no cargue el paquete de baterías o la herramienta fuera del rango de temperatura especificado en las instrucciones. La carga inadecuada o a temperaturas fuera del rango especificado puede dañar la batería y aumentar el riesgo de incendio.
No utilice una batería o herramienta que esté dañada o modificada. Las baterías dañadas o modificadas pueden tener un comportamiento imprevisible que provoque un incendio, una explosión o un riesgo de lesiones.



PRECAUCIÓN

Será necesario recargar el bloque de baterías antes de usarlo.

IMPORTANTE LEER ATENTAMENTE ANTES DE USAR. CONSERVELO PARA FUTURAS CONSULTAS.

**Prácticas operativas seguras para el
soplador de jardín**

FORMACIÓN

1. Lea atentamente las instrucciones. Familiarícese con los controles y el uso correcto de la máquina.
2. Nunca permita que niños o personas no familiarizadas con estas instrucciones utilicen la máquina. Las normativas locales pueden restringir la edad del operador.
3. Tenga en cuenta que el operador o usuario es responsable de los accidentes o peligros que ocurran a otras personas o a su propiedad.

PREPARACIÓN

1. Use protección para los oídos y gafas de seguridad. Úselos en todo momento mientras maneja la máquina.
2. Cuando utilice la máquina, lleve siempre calzado resistente y pantalones largos. No utilice la máquina si está descalzo o con sandalias abiertas. Evite llevar ropa holgada, cordones o lazos que cuelguen.
3. No lleve ropa suelta ni joyas que puedan introducirse en la entrada de aire. Mantenga el pelo largo lejos de las entradas de aire.
4. Utilice la máquina en la posición y sólo sobre una superficie firme y nivelada.
5. No utilice la máquina sobre una superficie o grava donde el material expulsado podría causar lesiones.
6. Antes de utilizarla, inspeccione siempre visualmente para que los los pernos de trituración, y otros seguros, que la carcasa no esté dañada y que las protecciones y rejillas estén en su sitio. Sustituya los componentes desgastados o dañados en juegos para mantener el equilibrio. Sustituya las etiquetas ilegibles.
7. Nunca haga funcionar la máquina mientras haya personas especialmente niños, o mascotas estén cerca.

NORMAS GENERALES DE SEGURIDAD

OPERACIÓN

1. Antes de poner en marcha la máquina, asegúrese de que la cámara de alimentación está vacía.
2. Mantenga la cara y el cuerpo alejados del orificio de entrada de alimento.
3. No permita que las manos o cualquier otra parte del cuerpo o ropa dentro de la cámara de alimentación, el conducto de descarga o cerca de parte móvil.
4. Mantenga el equilibrio y la estabilidad en todo momento. No se acerque demasiado. No se sitúe nunca más alto que la base de la máquina cuando se introduzca material en ella.
5. Manténgase siempre alejado de la zona de descarga cuando utilice esta máquina.
6. Al introducir material en la máquina tenga mucho cuidado de que no entren trozos de metal rocas, botellas, latas u otros objetos extraños no sean incluidos.
7. Si el mecanismo de corte golpea algún objeto extraño o si la máquina empieza a producir ruidos o vibraciones inusuales, desconecte inmediatamente la fuente de alimentación y deje que la máquina se detenga. Desconecte la máquina de la fuente de alimentación y siga los siguientes pasos antes de volver a poner en funcionamiento la máquina:
 - a. inspeccione si hay daños;
 - b. sustituya o repare las piezas dañadas;
 - c. compruebe si hay piezas sueltas y apriételas.
8. No permita que el material se procese en la zona de descarga; esto puede impedir descarga adecuada y puede provocar el retroceso de material a través de la abertura de admisión.
9. Si la máquina se atasca, apague la fuente de alimentación y desconecte la máquina del suministro antes de limpiar los residuos.
10. No utilice nunca la máquina con protecciones defectuosas o sin dispositivos de seguridad, como por ejemplo el recogedor .
11. Mantenga la fuente de alimentación limpia de residuos y otras acumulaciones para evitar daños a la fuente de alimentación o

un posible incendio.

12. No transporte esta máquina mientras la fuente de alimentación esté en funcionamiento.
13. No incline la máquina mientras la está en funcionamiento.

MANTENIMIENTO Y ALMACENAMIENTO

1. Cuando la máquina esté parada para mantenimiento, inspección o almacenamiento, o para cambiar un accesorio, apague la máquina desconecte la máquina de la red eléctrica y asegúrese de que todas las partes móviles se detengan por completo. Deje que la máquina se enfríe antes de realizar inspecciones, ajustes, etc. Mantenga la máquina con cuidado y limpia.
2. Guarde la máquina en un lugar seco y fuera del alcance de los niños.
3. Deje siempre que la máquina se enfríe antes de guardarla.
4. Sustituya las piezas desgastadas o dañadas por seguridad. Utilice únicamente piezas de repuesto y accesorios originales.
5. No intente nunca anular el dispositivo de de la protección.

NORMAS GENERALES DE SEGURIDAD

SERVICIO

1. Haga que su herramienta de batería sea reparada por un técnico cualificado utilizando sólo piezas de recambio idénticas. Esto asegurará que se mantenga la seguridad de la herramienta de batería.
2. Nunca repare las baterías dañadas. El mantenimiento de las baterías debe ser realizado únicamente por el fabricante o por proveedores de servicios autorizados.

RIESGO RESIDUAL

Utilice el equipo de protección personal.

1. Los niveles de sonido elevados pueden causar daños en los oídos. Lleve siempre

un protector auditivo cuando utilice esta herramienta.

2. Pruebe la herramienta para confirmar el sentido de rotación antes de su uso práctico. Esto reducirá el peligro potencial debido a una dirección de rotación inesperada.
3. El uso prolongado provocará la fatiga del usuario. Se recomiendan pausas periódicas para la seguridad del operador.
4. Evite conservar esta herramienta donde esté sujeta a alta humedad.
5. Evite las vibraciones y el uso de la llave en un corto período de tiempo. Debe usar guantes que absorban las vibraciones y tenga cuidado de que no se aflojen las partes de los guantes para evitar que se redén con la llave.

INSTRUCCIONES DE SEGURIDAD

El propósito de los símbolos de seguridad es atraer su atención a los posibles peligros. Los símbolos de seguridad y las explicaciones con ellos merecen su cuidadosa atención y comprensión.

Los símbolos de advertencia no eliminan por sí mismos ningún peligro. Las instrucciones y advertencias que dan no sustituyen a las medidas adecuadas de prevención de accidentes.

ADVERTENCIA

Asegúrese de leer y entender todas las instrucciones de seguridad de este manual, incluyendo todos los símbolos de alerta de seguridad como "PELIGRO", "ADVERTENCIA" y "PRECAUCIÓN" antes de utilizar esta herramienta. Si no se siguen todas las instrucciones que se indican a continuación, se pueden producir descargas eléctricas, incendios y/o lesiones personales graves.

SIGNIFICADO DE LOS SÍMBOLOS

 **SÍMBOLO DE ALERTA DE SEGURIDAD:** Indica PELIGRO, ADVERTENCIA O PRECAUCIÓN. Puede utilizarse junto con otros símbolos o pictogramas.

PELIGRO Indica una situación de peligro inminente que, si no se evita, provocará la muerte o lesiones graves.



ADVERTENCIA Indica una situación potencialmente peligrosa que, de no evitarse, podría provocar la muerte o lesiones graves.



PRECAUCIÓN Indica una situación potencialmente peligrosa que, de no evitarse, podría dar lugar a lesiones menores o moderadas.



ADVERTENCIA

Lea todas las advertencias de seguridad señaladas con el símbolo y todas las instrucciones.

SÍMBOLOS DE SEGURIDAD

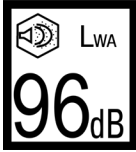



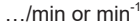
Algunos de los siguientes símbolos pueden utilizarse en esta herramienta. Por favor, estúdielos y aprenda su significado. La correcta interpretación de estos símbolos le permitirá manejar la herramienta mejor y con mayor seguridad.

Ubicación peligrosa	Precaución	Etiqueta de marcado
Uso del soplador de hojas	Los dispositivos de descarga eléctrica pueden ser peligrosos para las personas que lleven marcapasos. Si la humedad relativa es inferior al 20%, utilice un eliminador de electricidad para evitar el riesgo de descarga eléctrica.	
Uso del soplador de hojas	Protección de los ojos con cristal de seguridad	
Uso del soplador de hojas	Lea atentamente el manual de instrucciones antes de proceder a la puesta en marcha, el funcionamiento, el mantenimiento o cualquier otro trabajo en la herramienta.	
Uso del soplador de hojas	Protección de los oídos	
Uso del soplador de hojas	Evite las vibraciones y utilizar la llave en un corto período de tiempo. Debe usar guantes que absorban las vibraciones y tenga cuidado de no aflojar las partes de los guantes para evitar que se enreden con la llave.	
Uso del soplador de hojas	guantes y máscara antipolvo,	
Uso del soplador de hojas	El aparato no debe exponerse a la lluvia ni sumergirse en agua.	

SÍMBOLOS DE SEGURIDAD

<p>Uso del soplador de hojas</p>	<p>No permita que ninguna parte del aparato entre en contacto con llamas, ni que se incendie.</p>	
<p>Uso del soplador de hojas</p>	<p>No exponga la batería ni la herramienta al fuego ni a temperaturas excesivas.</p>	
<p>Uso del soplador de hojas</p>	<p>Este símbolo se utiliza a lo largo de este manual para advertir al usuario de posibles riesgos. Lea y comprenda estas secciones antes de utilizar el aparato.</p>	
<p>Uso del soplador de hojas</p>	<p>No exponer a la lluvia</p>	
<p>Uso del soplador de hojas</p>	<p>Mantenga alejados a los transeúntes</p>	
<p>Uso del soplador de hojas</p>	<p>Danger due to ejected parts! Mantenga alejados a los transeúntes</p>	

SÍMBOLOS DE SEGURIDAD

Uso del soplador de hojas	El nivel de potencia acústica garantizado en esta etiqueta es de 96 dB.	
Corriente continua	Tipo o característica de la corriente	
Velocidad sin carga	Velocidad en vacío	
Construcción de clase II	Construcción con doble aislamiento	
Por minuto	Revoluciones, golpes, velocidad, etc., por minuto	

⚠ ADVERTENCIA Para garantizar la seguridad y la fiabilidad, todas las reparaciones deben ser realizadas por un técnico de servicio cualificado.

NORMAS DE SEGURIDAD ESPECÍFICAS

ADVERTENCIAS GENERALES DE SEGURIDAD PARA HERRAMIENTA DE BATERÍA

1. Use la batería sólo con el cargador citado más abajo:

BATERÍA	CARGADOR
DB-1850P	DC-18A

ADVERTENCIA

Solo para uso con el paquete de baterías de iones de litio.

Sólo para uso con el cargador de baterías.

2. Siempre use gafas de seguridad cuando use esta herramienta.
3. Evitar vibraciones y utilizar la llave en un corto período de tiempo. Debe llevar guantes que absorban las vibraciones y tener cuidado de no desajustarse las partes de los guantes para evitar que se enreden con la llave.
4. Asegúrese de que el interruptor horario/ antihorario esté en la posición OFF antes de insertar una batería. Insertar la batería en un dispositivo de electroportátil encendido puede causar accidentes.
5. Antes de instalar los accesorios, compruebe que no estén desgastados, agrietados o dañados.
6. Las puntas, los vasos y las herramientas se calientan durante la operación. Use guantes cuando los toque.
7. Retire la batería antes de cambiar los accesorios. El arranque accidental puede ocurrir porque los dispositivos electroportátiles con una batería insertada están en un estado de funcionamiento permanente.

ADVERTENCIA

Algunos polvos creados por el lijado, el aserrado, la trituration, la perforación y otras actividades de construcción contienen sustancias químicas que el estado de California sabe que causan cáncer, defectos de nacimiento u otros daños reproductivos. Algunos ejemplos de estos productos químicos son:

- El plomo que proviene de las pinturas a base de plomo
- Sílice cristalina de ladrillos y cemento y otros productos de albañilería
- El arsénico y el cromo de la madera que reacciona químicamente.

El riesgo de estas exposiciones varía dependiendo de la frecuencia con la que realice este tipo de trabajo. Para reducir su exposición a estos productos químicos: trabaje en un área bien ventilada y use equipos de seguridad aprobado, Como máscaras para el polvo que están especialmente diseñadas para filtrar partículas microscópicas.

INSTRUCCIONES DE SEGURIDAD PARA EL CARGADOR

1. Antes de utilizar el cargador de baterías, lea todas las instrucciones y advertencias de este manual y sobre el cargador, la batería y el producto de la batería para evitar un mal uso y posibles lesiones o daños.

PRECAUCIÓN

Para reducir el riesgo de descargas eléctricas o daños en el cargador y la batería, cargue sólo las baterías de iones de litio marcadas específicamente en el cargador. Otros tipos de batería pueden explotar, causando lesiones o daños.

2. No utilice el cargador al aire libre o en condiciones de humedad. Si el agua entra en el cargador, el riesgo de una descarga eléctrica aumenta.
3. El uso de un accesorio no recomendado o vendido por el fabricante del cargador puede causar un riesgo de incendio, descarga eléctrica o lesiones.
4. No manipule mal el cable o el cargador. Nunca lleve el cargador por el cable. Nunca desconecte la herramienta de la red eléctrica tirando del cable. Esto podría dañar el cable o el cargador y crear un riesgo de descarga eléctrica. Reemplace cualquier cable dañado inmediatamente.
5. Asegúrese de que el cordón se coloca en un lugar seguro para que nadie pueda pisarlo o tropezar con él, y que no esté sujeto a daños o tensiones de ninguna otra manera. Esto reducirá el riesgo de caídas accidentales que podrían causar lesiones y dañar el cable, creando un riesgo de choque.
6. Proteja el cable y el cargador del calor para evitar que se dañen la carcasa y las piezas internas.
7. Proteja las partes plásticas de la gasolina, del aceite, de los productos petrolíferos, etc.. Estos materiales contienen sustancias químicas que pueden dañar, debilitar o destruir el plástico.
8. Sólo use un cable de extensión si es absolutamente necesario. El uso de un cable de extensión inadecuado puede suponer un riesgo de incendio, descarga eléctrica o electrocución. Si se va a utilizar un cable de extensión, asegúrese de que:

- El enchufe del cable tiene el mismo número de clavijas que el del cargador y que las clavijas tienen la misma forma y tamaño.
- El cordón esté bien cableado y en buenas condiciones.
- El tamaño es lo suficientemente grande para la corriente nominal del cargador como se especifica a continuación:

Longitud del cable (pies) 25' 50' 100'

Tamaño del cable (AWG) **16 (AWG)**

NOTE: AWG = Calibre de cable americano

9. No utilice el cargador con un cable de alimentación o enchufe dañado debido al riesgo de cortocircuito y de descarga eléctrica. Si el cargador está dañado, hágalo reparar por un técnico de servicio autorizado de **m7**.
10. No haga funcionar el cargador si ha recibido un fuerte golpe, se ha caído o ha sufrido algún otro tipo de daño. Lleve el cargador a un técnico autorizado de **m7** para que realice una comprobación eléctrica a fin de determinar si el cargador está en buen estado de funcionamiento.
11. No desmonte el cargador. Llévelo a un técnico de servicio autorizado de **m7**. cuando se requiera un servicio o una reparación. Un cargador mal montado puede suponer un riesgo de descarga eléctrica, electrocución o incendio.
12. Desenchufe el cargador de la toma de corriente antes de limpiarlo o repararlo. Esto reducirá el riesgo de una descarga eléctrica.
13. Desconecte el cargador de la fuente de alimentación cuando no esté en uso. Esto reducirá el riesgo de descargas eléctricas y daños al cargador si caen objetos metálicos en la apertura. Esto también evitará daños en caso de sobretensión.
14. Peligro de descarga eléctrica. No toque la parte no aislada del conector de salida o el terminal de la batería no aislada.
15. Guarde estas instrucciones con cuidado. Consúltelas con frecuencia y utilícelas para informar a otros usuarios de este instrumento. Si le presta esta herramienta a otra persona, presénteles también estas instrucciones para evitar el mal uso del producto y posibles lesiones.

ADVERTENCIA

Algunos polvos creados por el corte pueden contener sustancias químicas conocidas por causar cáncer, malformaciones congénitas u otros daños reproductivos. Entre los ejemplos de estas sustancias químicas se encuentran:

- El plomo que proviene de las pinturas a base de plomo.
- El arsénico y el cromo de la madera que reacciona químicamente.

El riesgo de estas exposiciones varía dependiendo de la frecuencia con la que realice este tipo de trabajo. Para reducir su exposición a estos productos químicos: trabaje en un área bien ventilada y use equipo de seguridad aprobado.

INFORMACIÓN GENERAL

1. El número de serie del Mighty Seven se compone del año en la 2ª/3ª cifra y del mes indicado por la 4ª/5ª cifra.

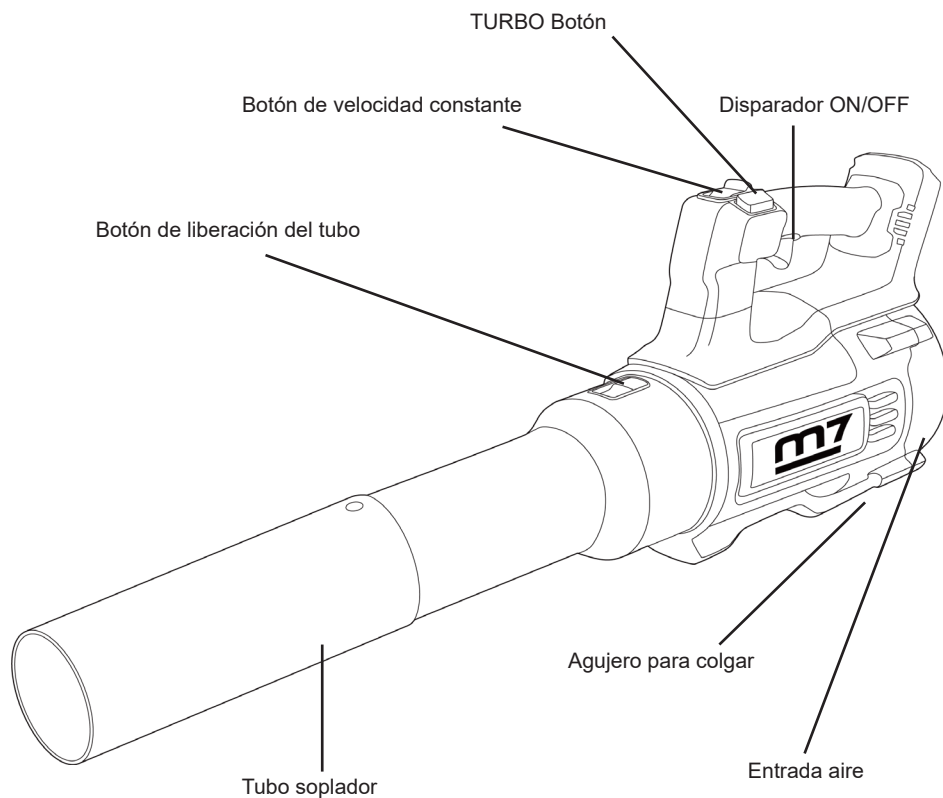
DESCRIPCIÓN DE LA HERRAMIENTA

INSTRUCCIONES DE USO




La máquina está diseñada para soplar polvo.


1. Piezas principales del DLB-102



CARACTERÍSTICAS

2. CARACTERÍSTICAS DE LA HERRAMIENTA:

Modelo	DLB-102
Batería de iones de litio	DB-1850P (5.0 Ah)
Entrada del cargador	220-240V~
Rango de temperatura admisible (°C)	0-40
Voltaje estimado	18Vd.c. (18 )
no/No Velocidad de carga (min-1)	7100-11600 min ⁻¹ \ 14000 min ⁻¹
Velocidad del aire Max.	22,5-37,5 m/s \ 45 m/s
Volumen de aire	230-380 cfm \ 460 cfm
Autonomía Batería de 5,0 Ah	20 minutos
Weight	2.6 kg

AVISO: Debido al continuo programa de desarrollo de , las especificaciones contenidas en este manual son solo para información general y no son vinculantes. Nos reservamos el derecho a realizar, en cualquier momento y sin previo aviso, cambios o modificaciones en las piezas, equipos y accesorios que se consideren necesarios por cualquier motivo. 

DLB-102:

Nivel de presión sonora ponderado A medido: $L_{pA} = 88$ dB, Precisión $K_{pA} = 3$ dB

Nivel de potencia acústica ponderado A calculado: $L_{WA} = 95$ dB, Precisin $K_{WA} = 1.1$ dB






Nivel de vibración (m/s^2): $0.2 m/s^2$, Índice de precisión $K = 1.5 m/s^2$



ADVERTENCIA

Evite las vibraciones y el uso de la llave en un corto período de tiempo. Use guantes que absorban las vibraciones y no aflojarse los guantes para evitar que se enreden con la llave.

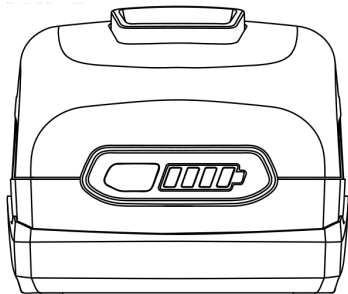
1. Las funciones LED del cargador

Indicador LED	Paquete de baterías	LED rojo	LED verde	ACCIÓN
Problema de temperatura (ver manual)	 Batería fría/ caliente	Encendido	Apagado	El proceso de carga empezará una vez que la temperatura esté entre 5°C y 40°C.
 Batería defectuosa	 Defectuosa	Parpadeando	Apagado	El paquete de batería o el cargador está defectuoso
Batería cargando	 Cargando	Apagado	Parpadeando	Cargando
Batería cargada	 Cargada	Apagado	Encendido	La carga está completa

2. Indicador de carga

Este paquete de baterías de iones de litio está equipado con un indicador de carga que indica la carga restante de la batería. Presione el botón del indicador de carga para que aparezcan los indicadores LED. Estos indicadores permanecerán encendidos durante unos 4 segundos.

Atención: El indicador de carga puede utilizarse tanto si el paquete de batería está conectado a la herramienta como si no.

	● ● ● ●	80-100% de la carga
	● ● ● ○	60-79% de la carga
	● ● ○ ○	40-59% de la carga
	● ○ ○ ○	20-39% de la carga
	●* ○ ○ ○	Menos del 20% de la carga
	●* ●* ●* ●*	Completamente descargado
	●* ○ ○ ○	Problema de temperatura

3. Indicador de carga baja

- Si los LED del indicador de carga parpadean con rapidez y continuamente cuando el gatillo está apretado, el paquete de baterías está descargado y necesita recargarse.
- A diferencia de otros tipos de paquete de baterías, los paquetes de baterías de iones de litio proporcionan una energía constante y sostenida durante toda la vida útil de la batería. Esta herramienta no perderá gradualmente la potencia a medida que trabaje. Para indicar que el paquete de baterías está cerca del final de su tiempo de carga, la alimentación hacia la herramienta se detendrá rápidamente. Los cuatro LED del indicador de carga parpadearán cuando la batería esté completamente descargada. Cuando esto ocurra, retire la herramienta de la pieza de trabajo y recargue el paquete de batería si es necesario.

Atención: Los indicadores LED de carga pueden parpadear en caso de sobrecarga o altas temperaturas.

4. Cuándo cargar el paquete de baterías

Ponga el paquete de baterías en el cargador para reiniciarlo cuando la batería esté protegida. El paquete de baterías de iones de litio puede ser recargado en cualquier momento sin ningún efecto de "memoria" cuando se recarga después de una descarga parcial. No es necesario descargar la batería antes de recargarla. Retire el paquete de baterías de la herramienta a su conveniencia.

- Utilice el indicador de carga para determinar cuándo debe recargar el paquete de baterías.
- Puede "controlar" la carga de la batería antes de empezar un trabajo grande o un largo período de uso.

ENSAMBLAJE

⚠ ADVERTENCIA

Si alguna pieza está rota o falta, NO intente enchufar el cable de alimentación, de conectar la batería o utilizar la herramienta hasta que se sustituya la pieza rota o faltante. Si no lo hace, podría resultar en unas lesiones graves.

⚠ ADVERTENCIA

No intente modificar esta herramienta o crear accesorios no recomendados para su uso con esta herramienta. Tal modificación o alteración es un uso indebido y podría dar lugar a una situación peligrosa que podría provocar lesiones graves.

⚠ ADVERTENCIA

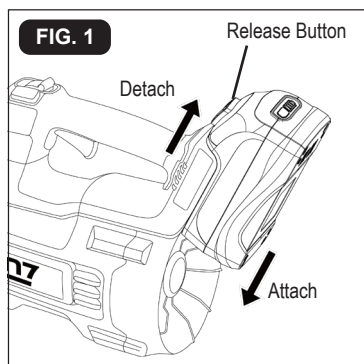
Su herramienta no debe estar nunca conectada a la fuente de alimentación cuando se monten piezas, se hagan ajustes, se instalen o se retiren herramientas de dispensación, se limpia o cuando no se utiliza. Al desconectar la herramienta se evitará un arranque accidental que podría provocar lesiones graves.

DESEMBALAJE

1. Retire cuidadosamente la herramienta y todos los accesorios de la caja. Asegúrese de que todos los artículos que figuran en la lista estén incluidos.
2. Inspeccione cuidadosamente la herramienta para asegurarse de que no se ha producido ninguna rotura o daño durante el transporte.
3. No deseche el embalaje hasta que haya inspeccionado cuidadosamente y utilizado la herramienta de forma satisfactoria.

ENSAMBLAJE

INSTALACIÓN DE LA BATERÍA (FIG. 1)



1. Compruebe que la herramienta esté apagada.
2. Alinee la nervadura en relieve del paquete de baterías con las ranuras de la parte inferior de la herramienta inalámbrica y, a continuación, deslice la herramienta.

AVISO: Asegúrese de que el pestillo de la batería encaje en su sitio y que la batería esté en la lijadora antes de utilizarla.

RETIRE LA BATERÍA (FIG 1)

1. Asegúrese de que la herramienta inalámbrica esté apagada.
2. Pulse el botón de liberación de la batería para liberarla.
3. Extraiga la batería de la herramienta inalámbrica.

FUNCIONAMIENTO

FIG. 2

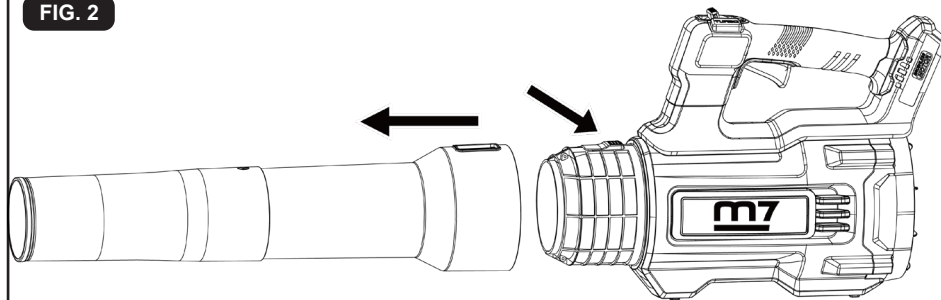
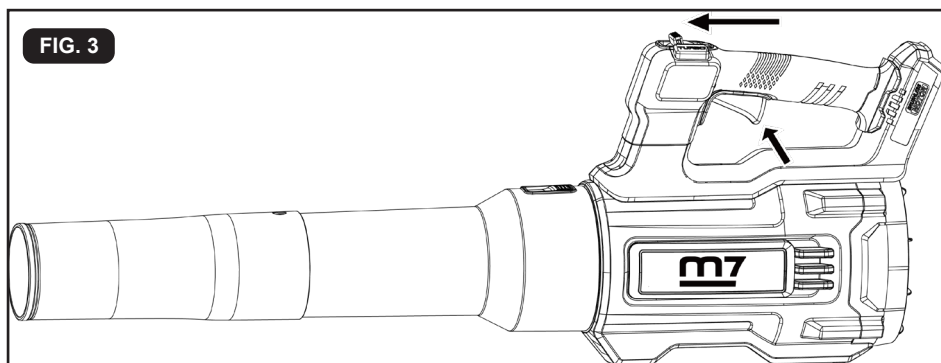


FIG. 3



ADVERTENCIA

Para evitar un arranque accidental que podría causar lesiones personales graves, retire siempre la batería del producto cuando monte y ajuste la herramienta del producto.

OPERACIÓN DE ARRANQUE

- Presione el gatillo ON/OFF para poner en marcha la herramienta y suéltelo para detenerla. La velocidad se controla mediante la cantidad de presión ejercida sobre el gatillo.
- Para un funcionamiento continuo, cuando pulse el gatillo ON/OFF, empuje el botón de velocidad constante hacia adelante al mismo tiempo, como se muestra en la Figura C. Entonces el producto funcionará continuamente a velocidad constante. La velocidad aumentará cuando empuje el botón hacia la izquierda. El funcionamiento continuo se detendrá.
- Súper Velocidad, presione el botón TURBO, el producto operará en súper velocidad, cuando lo suelte, se detendrá.

CONSEJOS DE TRABAJO

No sople nunca la suciedad en dirección a otras personas.

Mantenga siempre la herramienta eléctrica a unos 3 cm del suelo cuando trabaje.

No sople material caliente, inflamable o explosivo.

Asegúrese de que la entrada de aire no pueda aspirar impurezas durante el soplado.

FUNCIONAMIENTO

ADVERTENCIA

Utilice siempre gafas de seguridad o gafas de seguridad con protección lateral o al soplar el polvo. Si la operación es polvorienta, utilice también una mascarilla antipolvo.

ADVERTENCIA

No permita en ningún momento que líquidos de frenos, gasolina, productos derivados del petróleo, aceites penetrantes, etc. entren en contacto con piezas de plástico. Los productos químicos pueden dañar debilitar o destruir el plástico, lo que puede provocar lesiones personales graves.

UTILIZACIÓN

PROCEDIMIENTO DE RECARGA

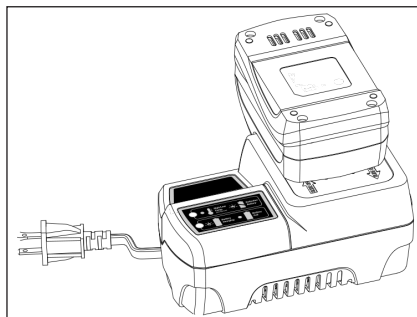
La batería se suministra parcialmente cargada. Para obtener el mejor rendimiento de la batería, cargue completamente la batería en el cargador antes del primer uso. Una batería completamente descargada tardará aproximadamente 50 minutos en recargarse en temperaturas de 0°C a 40°C.

1. Cargue el paquete de baterías de iones de litio con el cargador apropiado.
2. Conecte el cargador a la fuente de alimentación.
3. Alinee la costilla saliente del paquete de baterías con la ranura del cargador.
4. Ponga el paquete de baterías en el cargador.
5. El cargador se comunicará con la batería para evaluar su estado.
6. Los indicadores LED de carga parpadearán de la derecha a la izquierda mientras se cargan. Esto es parte del proceso de carga normal.

7. Una vez se haya completado el proceso de carga, el indicador LED verde permanecerá encendido y los indicadores LED de carga se encenderán cuando se pulse el botón de encendido y cuando la batería esté en el cargador.

8. El paquete de baterías se cargará completamente si permanece en el cargador, pero no se sobrecargará.

ATENCIÓN: Para su comodidad, el cargador puede funcionar con la mayoría de los generadores e inversores de 300 vatios o más.



MANTENIMIENTO

La herramienta puede limpiarse de la manera más eficiente posible con aire comprimido seco. Siempre use gafas de seguridad cuando limpie las herramientas con aire comprimido.

Evite el uso de disolventes al limpiar piezas de plástico. La mayoría de los plásticos son susceptibles de ser dañados por diversos tipos de disolventes comerciales y pueden resultar dañados por su uso. Use paños limpios para quitar la suciedad, el polvo, el aceite, la grasa, etc.

ANTES DE CADA USO

1. Inspeccione la lijadora, el interruptor de encendido y apagado y los accesorios para ver si están dañados.
2. Revise si hay partes dañadas, faltantes o desgastadas.
3. Compruebe si hay tornillos sueltos, desalineación o agarrotamiento de las piezas móviles, o cualquier

otra condición que pueda afectar el funcionamiento.

4. Si nota alguna vibración o ruido anormal, apague la herramienta inmediatamente y corrija el problema antes de seguir usándola.
5. Retire la batería de la lijadora antes de limpiar o realizar cualquier mantenimiento. El uso de aire comprimido puede ser el método de limpieza más eficaz. Siempre use gafas de seguridad cuando limpie las herramientas con aire comprimido.

LUBRICACIÓN

Todos los rodamientos de esta herramienta están lubricados con una cantidad suficiente de lubricante de alta calidad para la vida útil de la herramienta en condiciones normales. Por lo tanto, no se requiere una lubricación adicional.

ACCESORIOS

NO

SOLUCIÓN DE PROBLEMAS

Retire la batería de la herramienta eléctrica antes de realizar cualquier trabajo en la misma (por ejemplo, mantenimiento, cambio de herramienta, etc.), La batería también debe retirarse para el transporte y el almacenamiento. Existe riesgo de lesiones por pulsar involuntariamente el interruptor de encendido/apagado. Para garantizar un funcionamiento seguro y eficaz, mantenga siempre limpias la herramienta eléctrica y las ranuras de ventilación.

PROBLEMA	CAUSA	SOLUCIÓN
El soplador inalámbrico no funciona.	La batería está agotada.	Cargue la batería.
El soplador inalámbrico no funciona y la luz de trabajo LED de la herramienta parpadea.	La herramienta está sobrecalentada.	Deje que la herramienta se enfríe.
El soplador inalámbrico no funciona y el indicador LED parpadea.	La batería está sobrecalentada.	Deje que la batería se enfríe.

PROTECCIÓN DEL MEDIO AMBIENTE



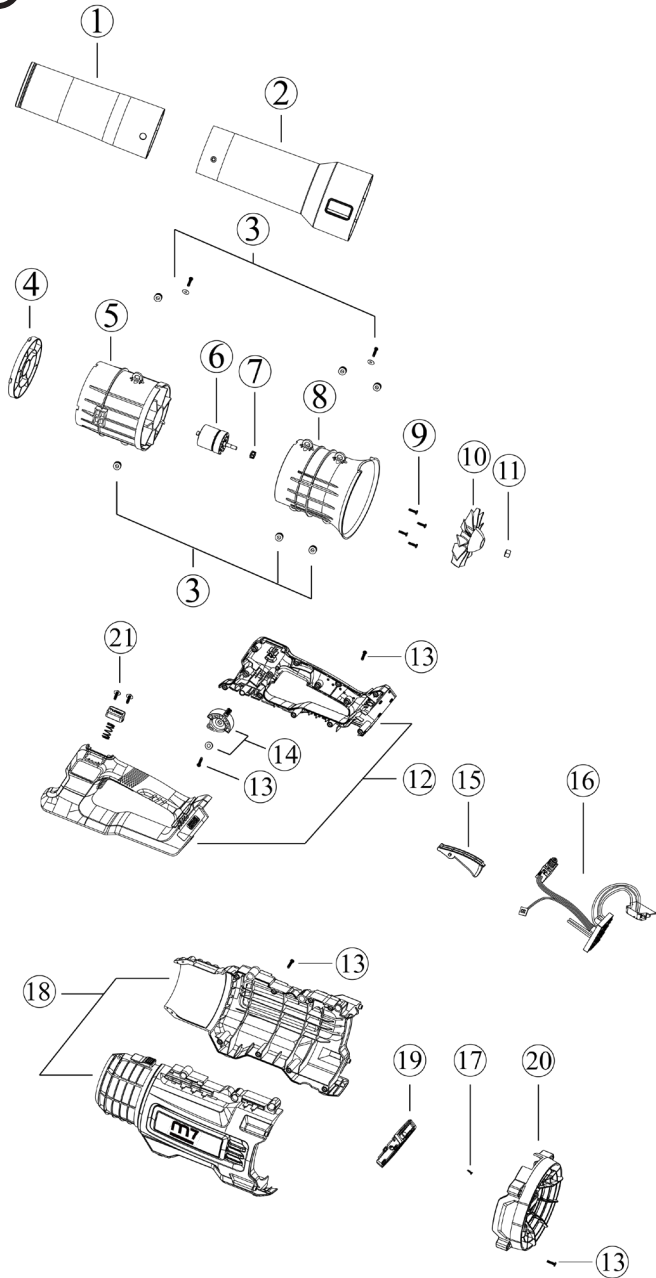
1. La herramienta, los accesorios y el embalaje deben clasificarse para un reciclaje respetuoso con el medio ambiente.
2. Al final de su vida útil, las herramientas eléctricas y los accesorios aún contienen grandes cantidades de valiosas materias primas y plásticos que también pueden reciclarse.
3. Algunos polvos de trabajo contienen sustancias químicas nocivas y deben ser recogidos por un centro especial de reciclaje de residuos.
4. En fin de vie de l'outil, jetez-le en respectant notre environnement :
 - Videz complètement la batterie, puis retirez-la de l'outil.
 - Les cellules Li-Ion sont recyclables. Apportez-les à votre revendeur ou à une station de recyclage locale. Les batteries collectées seront recyclées ou éliminées de manière appropriée.

Entretien

1. En caso de reclamación de garantía, reparación o compra de piezas de repuesto, diríjase siempre a un centro de servicio autorizado. Lleve consigo la tarjeta de servicio y la factura.
2. La garantía no cubre el desgaste normal, la sobrecarga ni el uso indebido.



Soplador De Bateria
Item No : DLB - 102



Despiece DLB - 102


NO.	INDEX NO.	DESCRIPTION	Q'TY
1	DLB-102P01	EXHAUST TUBE CASING	1
2	DLB-102P02	EXHAUST TUBE	1
3	DLB-102T03	SCREW ASSEMBLY	1 SET
4	DLB-102P04	RETAINING RING	1
5	DLB-102P05	CONE SECTION	1
6	DLB-102P06	MOTOR	1
7	DLB-102P07	AXLE SLEEVE	1
8	DLB-102P08	BELL TUBE	1
9	DLB-102T09	ST4*10 SCREW (4 PCS)	1 SET
10	DLB-102P10	FAN	1
11	DLB-102P11	NUT M5	1
12	DLB-102T12	HANDLE	1 SET
13	DLB-102T13	ST3.9*14 SCREW (26 PCS)	1 SET
14	DLB-102T14	CONSTANT SPEED KNOB	1 SET
15	DLB-102P15	TRIGGER	1
16	DLB-102T16	ELECTRONICS ASSEMBLY	1 SET
17	DLB-102P17	ST2.9*10 SCREW	1
18	DLB-102T18	MOTOR HOUSE	1 SET
19	DLB-102T19	BATTERY CONNECTING DEVICE	1 SET
20	DLB-102P20	BACK COVER	1
21	DLB-102T21	TRIGGER SET	1 SET

Garantía

Garantía limitada del fabricante

Mighty Seven International Co. , LTD. . ofrece una garantía limitada a los productos fabricados por **Mighty Seven** y vendidos por sus distribuidores autorizados en todo el mundo. La garantía limitada sólo se aplica a los productos que son defectuosos en material y mano de obra y no se aplica a los productos que han sido abusados, mal utilizados, representantes de servicio. Si hay un producto defectuoso de **Mighty Seven** , por favor envíelo prepagado al distribuidor donde lo compró junto con la dirección y la información de contacto. Las reparaciones o sustituciones están garantizadas como se ha descrito anteriormente; de lo contrario, se cobrará el servicio de reparaciones o sustituciones.

Por favor, guarde esta tarjeta para la garantía

Fecha de compra	Número del modelo
Fecha de expiración de la garantía	Número de serie
Sello del distribuidor	
	

Fecha de compra :	Número del modelo :
Fecha de expiración de la garantía :	Número de serie :
Nombre :	
Nombre de la empresa :	
Dirección :	
Teléfono :	Fax:
E-Mail:	
Tipo de negocio :	
<input type="checkbox"/> Agricultura	<input type="checkbox"/> Pintura y reparación de la carrocería
<input type="checkbox"/> Reparación general de automóviles	<input type="checkbox"/> Obra pública / Servicios públicos del gobierno
<input type="checkbox"/> Neumático	<input type="checkbox"/> Fábrica
<input type="checkbox"/> Mantenimiento y reparación de camiones	<input type="checkbox"/> Uso en casa
<input type="checkbox"/> Fabricante de coches	<input type="checkbox"/> Otros

ALGEMENE VEILIGHEIDSREGELS

ALGEMENE VEILIGHEIDSWAARSCHUWINGEN VOOR GEREEDSCHAP

De machine is bedoeld voor het blazen van stof

ALGEMENE VEILIGHEIDSWAARSCHUWINGEN VOOR HET ELECTRISCH GEREEDSCHAP.



Het niet opvolgen van de waarschuwingen en instructies kan leiden tot elektrische schokken, brand en / of ernstig letsel.

Bewaar alle waarschuwingen en instructies voor toekomstig gebruik.

De term "elektrisch gereedschap" in de waarschuwingen verwijst naar uw elektrisch gereedschap met netvoeding (met snoer) of uw elektrisch gereedschap op batterijen (zonder snoer).

VEILIGHEID WERKOMGEVING

1. Houd de werkplek schoon en goed verlicht. Rommelige of donkere ruimtes kunnen ongelukken veroorzaken.
2. Gebruik geen elektrisch gereedschap in een explosieve omgeving, zoals in de aanwezigheid van brandbare vloeistoffen, gassen of stof. Gereedschappen wekken vonken op die stof of dampen kunnen doen ontbranden.
3. Houd kinderen en omstanders uit de buurt tijdens het gebruik van elektrisch gereedschap. Aflleiding kan ertoe leiden dat u de controle verliest.

ELECTRISCHE VEILIGHEID

1. De stekker van het elektrisch gereedschap moet in het stopcontact passen. Pas de stekker op geen enkele manier aan. Gebruik geen adapterstekkers in combinatie met geaard elektrisch gereedschap. Ongewijzigde stekkers en bijpassende stopcontacten verminderen het risico op elektrische schokken.
2. Vermijd lichamelijke contact met geaarde oppervlakken zoals leidingen, radiatoren, fornuizen en koelkasten. Er is een verhoogd risico op elektrische schokken als uw lichaam geaard is.

3. Stel elektrisch gereedschap niet bloot aan regen of natte omstandigheden. Water dat een elektrisch gereedschap binnendringt, verhoogt het risico op elektrische schokken.

4. Gebruik de kabel niet verkeerd. Gebruik de kabel nooit om te dragen, te trekken of om de stekker van het elektrisch gereedschap uit het stopcontact te trekken.

5. Als u elektrisch gereedschap buiten gebruikt, gebruik dan een aangepast verlengsnoer. Gebruik van een snoer dat geschikt is voor buitengebruik verkleint het risico op elektrische schokken.

6. Als het gebruik van een elektrisch gereedschap op een vochtige locatie onvermijdelijk is, gebruik dan als voeding een aardlekschakelaar (RCD). Het gebruik van een aardlekschakelaar vermindert het risico op elektrische schokken.

PERSOONLIJKE VEILIGHEID

1. Blijf alert, let op wat u doet en gebruik uw gezond verstand bij het gebruik van een elektrisch gereedschap. Gebruik het apparaat niet als u moe bent of onder invloed bent van drugs, alcohol of medicijnen. Een moment van onoplettendheid tijdens het gebruik van elektrisch gereedschap kan leiden tot ernstig persoonlijk letsel.
2. Gebruik persoonlijke beschermingsmiddelen. Draag altijd oogbescherming. Beschermende uitrustingen zoals een stofmasker, antislipschoenen, een veiligheidshelm of gehoorbescherming, gebruikt onder de juiste omstandigheden, vermindert persoonlijk letsel.
3. Voorkom onbedoeld starten. Zorg ervoor dat de schakelaar in de uit-stand staat voordat u het apparaat aansluit op een stroombron en / of accu, oppak of draagt. Het dragen van elektrisch gereedschap met uw vinger op de schakelaar of het aansluiten van elektrisch gereedschap dat is ingeschakeld, kan tot ongelukken leiden.
4. Verwijder alle afstelsleutels of moersleutels voordat u het elektrisch gereedschap aanzet. Een sleutel of een sleutel die aan een draaiend deel van het elektrisch gereedschap is bevestigd, kan persoonlijk letsel veroorzaken.

ALGEMENE VEILIGHEIDSGEVELS

5. Vermijd elke abnormale positie. Zorg dat u altijd stevig staat en in evenwicht blijft. Dit zorgt voor een betere controle van het elektrisch gereedschap in onverwachte situaties.
6. Draag aangepaste kleding. Draag geen losse kleding of sieraden. Houd haar, kleding en handschoenen uit de buurt van bewegende onderdelen. Loshangende kleding, sieraden of lang haar kunnen tussen de bewegende onderdelen verstrikt raken.
7. Als er apparaten zijn meegeleverd voor het aansluiten van stofafzuig- en opvangvoorziening-en, zorg er dan voor dat deze zijn aangesloten en correct worden gebruikt. Het gebruik van deze apparaten kan stofgerelateerde gevaren verminderen.
8. Laat het veelvuldig gebruik van het toestel u de veiligheidsprincipes niet verwaarlozen. Een onvoorzichtige handeling kan een verwonding veroorzaken in een fractie van een seconde.

GEBRUIK EN ONDERHOUD VAN ELEKTRISCH GEREEDSCHAP

1. Forceer het elektrisch gereedschap niet. Gebruik het juiste elektrisch gereedschap voor uw werkzaamheden. Het juiste elektrisch gereedschap zal het werk beter en veiliger doen in het tempo waarvoor het is ontworpen.
2. Gebruik het elektrisch gereedschap niet als de schakelaar aan/uit niet functioneert. Elk elektrisch gereedschap dat niet met de schakelaar kan worden bediend, is gevaarlijk en moet worden gerepareerd.
3. Haal de stekker uit het stopcontact en / of de accu uit het elektrisch gereedschap voordat u afstellingen maakt, accessoires verwisselt of het elektrisch gereedschap opbergt. Dergelijke preventieve veiligheidsmaatregelen verminderen het risico dat het elektrisch gereedschap per ongeluk wordt gestart.
4. Bewaar elektrisch gereedschap dat niet in gebruik is, buiten het bereik van kinderen en laat personen die niet bekend zijn met het elektrisch gereedschap of met deze instructies, niet met het elektrisch gereedschap werken. Elektrisch gereedschap is gevaarlijk in handen van ongetrainde gebruikers.
5. Onderhoud elektrisch gereedschap. Controleer of bewegende onderdelen goed uitgelijnd of vastzitten, of er geen onderdelen gebroken zijn en alle andere omstandigheden die de werking van het elektrisch gereedschap kunnen beïnvloeden. Laat het elektrisch gereedschap voor gebruik repareren als het beschadigd is. Veel ongevallen worden veroorzaakt door slecht onderhouden van elektrisch gereedschap.
6. Houd snijgereedschap scherp en schoon. Goed onderhouden snijgereedschap met scherpe snijranden lopen minder snel vast en zijn gemakkelijker te bedienen.
7. Gebruik het elektrisch gereedschap, de accessoires, de gereedschapsbits enz. in overeenstemming met deze instructies, rekening houdend met de arbeidsomstandigheden en de uit te voeren werkzaamheden.
8. Hou de handvaten en oppervlaktes droog, proper en vrij van olie en vet. Glibberige handvaten en grijpoppervlaktes voldoen niet aan het veilig gebruiken van het toestel in onvoorziene omstandigheden. Deze kunnen zich resulteren in gevaarlijke situaties.

ALGEMENE VEILIGHEIDSREGELS

GEbruik EN ONDERHOUD VAN DE BATTERIJ

1. Laad alleen op met de oplader die door de fabrikant is gespecificeerd. Een oplader die geschikt is voor een bepaald type accu, kan brandgevaar opleveren bij gebruik met een andere accu.
2. Gebruik elektrisch gereedschap alleen met speciaal daarvoor bestemde accupacks. Het gebruik van andere accu's kan leiden tot letsel en brand.
3. Houd de accu uit de buurt als u deze niet gebruikt van andere metalen voorwerpen, zoals paperclips, munten, sleutels, spijkers, schroeven of andere kleine metalen voorwerpen die een verbinding kunnen maken vanaf één terminal naar een ander. Kortsluiting van de accupolen samen kunnen brandwonden of brand veroorzaken.
4. Onder zware omstandigheden kan vloeistof uit de batterij spatten; Vermijd contact. Als er per ongeluk contact optreedt, spoel dan met water. Als er vloeistof in de ogen komt, zoek dan ook medische hulp. Vloeistof die uit de batterij komt, kan irritatie of brandwonden veroorzaken.
5. Gebruik geen batterij pakket of gereedschap dat beschadigd of aangepast is. Beschadigde of aangepaste batterijen kunnen zich onvoorstelbaar voordoen, resulterend in vuurgevaar, explosie of gevaar om zich te kwetsen.
6. Gebruik een batterij pakket of gereedschap niet bij vuur of hoge temperaturen. Blootstelling aan vuur of hoge temperaturen boven de 130° kan explosiegevaar betekenen (temperatuur 265F)

7. Volg alle laadinstructions en laad het batterijpakket en het gereedschap niet buiten de aangegeven temperatuur in de omschrijving. Het onzorgvuldig laden of laden buiten de aangegeven temperatuur, kan de batterij beschadigen en kan de kans op brand verhogen.



het is noodzakelijk om de batterij voor gebruik op te laden.

ALGEMENE VEILIGHEIDSREGELS

BELANGRIJK VOOR GEBRUIK ZORGVULDIG LEZEN. BEWAREN VOOR TOEKOMSTIG GEBRUIK.

Veilig werken met de hand tuinblazer

TRAINING

1. Lees de instructies zorgvuldig. Wees vertrouwd met de bedieningselementen en het juiste gebruik van de machine.
2. Laat het apparaat nooit gebruiken door kinderen of met deze instructies het apparaat gebruiken. Plaatselijke voorschriften kunnen de leeftijd van de bediener beperken.
3. Houd er rekening mee dat de bediener of gebruiker verantwoordelijk is voor ongevallen of gevaren die zich voordoen bij andere mensen of hun eigendommen.

VOORBEREIDING

1. Zorg voor gehoorbescherming en een veiligheidsbril. Draag deze altijd tijdens het bedienen van de machine.
2. Draag tijdens het bedienen van de machine altijd stevig schoeisel en een lange broek. Doe bedien de machine niet op blote voeten of open sandalen draagt. Vermijd het dragen van loszittende kleding of kleding met koorden of stropdassen heeft hangen.
3. Draag geen losse kleding of sieraden die in de luchtinlaat kunnen worden getrokken. Houd lang lang haar uit de buurt van de luchtinlaten.
4. Bedien het apparaat in een aanbevolen aanbevolen positie en alleen op een stevige, vlakke ondergrond.
5. Gebruik het apparaat niet op een verharde of grindoppervlak waar weggeslingerd materiaal letsel kan veroorzaken.
6. Controleer voor gebruik altijd visueel te zien dat de hakselaar, hakselaar bouten en andere bevestigingsmiddelen stevig vastzitten, de behuizing onbeschadigd is en dat afschermingen en schermen op hun plaats zitten. Vervang versleten of beschadigde onderdelen in sets om balans te behouden. Vervang beschadigde of onleesbare labels.
7. Bedien het apparaat nooit terwijl er mensen vooral kinderen, of huisdieren in de buurt zijn.

WERKING

1. Controleer voordat u de machine start dat de invoerkamer leeg is.
2. Houd uw gezicht en lichaam uit de buurt van de invoeropening.
3. Houd uw handen of andere lichaamsdelen lichaam of kleding in de voerkamer kamer, de uitvoergoot of in de buurt van bewegende delen.
4. Zorg te allen tijde voor een goed evenwicht en te allen tijde. Strek u niet te ver uit. Ga nooit op een hoger dan de onderkant van de machine wanneer u materiaal invoert.
5. Blijf altijd uit de buurt van de uitblaaszone wanneer u deze machine bedient.
6. Bij het invoeren van materiaal in de machine wees uiterst voorzichtig dat stukken metaal, stenen, flessen, blikjes of andere vreemde voorwerpen niet worden meegenomen.
7. Als het snijmechanisme vreemde voorwerpen raakt of als de machine ongebruikelijke geluiden of trillingen begint te maken, schakel dan onmiddellijk de stroombron uit en laat de machine stoppen. Koppel de machine los van de voeding en de volgende stappen voordat u de de machine weer in gebruik te nemen:
 - a. inspecteren op schade;
 - b. vervang of repareer beschadigde onderdelen;
 - c. eventuele losse onderdelen controleren en vastdraaien.
8. Laat het verwerkte materiaal zich niet ophopen ophopen in de afvoerzone; dit kan Dit kan een goede afvoer verhinderen en kan leiden tot terugslag van materiaal door de aanzuigopening.
9. Als de machine verstopt raakt, schakelt u de de stroombron af en koppel de machine los van de voeding voordat u vuil.
10. Gebruik de machine nooit met defecte afschermingen of zonder veiligheidsinrichtingen veiligheidsvoorzieningen, bijvoorbeeld vuilopvangbak plaats.
11. Houd de stroombron vrij van vuil en andere ophopeningen om schade aan de stroombron of mogelijke brand.

ALGEMENE VEILIGHEIDSREGELS

12. Vervoer deze machine niet terwijl de stroombron draait.
13. Kantel het apparaat niet terwijl de stroom stroombron in werking is.

ONDERHOUD EN OPSLAG

1. Wanneer de machine wordt stopgezet voor onderhoud, inspectie of opslag, of om een accessoire te vervangen, moet u de stroom bron af, koppel de machine los van de en zorg ervoor dat alle bewegende onderdelen volledig tot stilstand zijn gekomen. Laat de machine afkoelen voordat u inspecties inspecties, aanpassingen, enz. Onderhoud de de machine zorgvuldig en houd hem schoon.
2. Bewaar het apparaat op een droge plaats buiten het bereik van kinderen. bereik van kinderen.
3. Laat het apparaat altijd afkoelen voordat opbergen.
4. Vervang versleten of beschadigde onderdelen voor de veiligheid. Gebruik alleen originele vervangingsonderdelen en accessoires.
5. Probeer nooit de vergrendelde functie van de afscherming te omzeilen.

ALGEMENE VEILIGHEIDSREGELS

KLANTENDIENST

1. Laat uw elektrisch gereedschap repareren door een gekwalificeerde reparateur en alleen met identieke vervangende onderdelen. Dit zorgt ervoor dat de veiligheid van het elektrisch gereedschap behouden blijft.
2. Gebruik nooit beschadigde batterij pakketten. Het onderhoud van de batterij pakketten mag enkel gebeuren door de maker of herkende service dealers.

OVERIGE RISICO'S

Gebruik persoonlijk beschermingsgereedschap

1. Hoge geluidslevels kunnen

hoorschade veroorzaken. Draag altijd gehoorbescherming wanneer u het toestel gebruikt.

2. Doe een testrun met het toestel om de rotatierichting te bevestigen. Dit zal het potentiële gevaar reduceren mocht een onvoorzien rotatie zich voordoen.
3. Langdurig gebruik kan de gebruiker vermoeien. Regelmatige pauzes zijn aanbevolen voor de gebruikersveiligheid.
4. Vermijd het toestel te bewaren in vochtige ruimtes.
5. Voorkom vibratie en koppel in een korte tijd. U draagt beter vibratie-absorberende handschoenen en pas op met loshangende onderdelen van de handschoenen zodat die niet in het toestel verstrikt raken.


VEILIGHEIDSINSTRUCTIES

Het doel van de veiligheidssymbolen is uw aandacht te vestigen op eventuele gevaren. De veiligheidssymbolen en -verklaringen die daarbij horen verdienen uw aandacht en begrip. Waarschuwingen door symbolen op zich sluiten geen gevaar uit. De instructies en waarschuwingen die zij geven vervangen niet de juiste maatregelen ter voorkoming van ongevallen.

WAARSCHUWING

Zorg ervoor dat u alle veiligheidsinstructies in deze handleiding, inclusief alle veiligheidswaarschuwingssymbolen zoals "GEVAAR", "WAARSCHUWING" en "VOORZICHTIG", hebt gelezen en begrepen. Het niet opvolgen van alle onderstaande instructies kan elektrische schokken, brand en / of ernstig letsel met zich mee brengen.

BETEKENIS VAN DE SYMBOLEN

 **VEILIGHEIDSWAARSCHUWINGSSYMBOLEN** : Geeft een GEVAAR, een WAARSCHUWING of een PREVENTIE aan. Kan tegelijkertijd met andere symbolen of pictogrammen gebruikt worden.

GEVAAR Geeft een dreigende gevaarlijke situatie aan die, als deze niet wordt vermeden, de dood of ernstige verwondingen tot gevolg zal hebben.

WAARSCHUWING Geeft een mogelijk gevaarlijke situatie aan die, indien deze niet wordt vermeden, kan leiden tot de dood of ernstig letsel.

VOORZICHTIG Geeft een mogelijk gevaarlijke situatie aan die, indien deze niet wordt vermeden, kan leiden tot lichte of matige verwondingen.








WAARSCHUWING

Lees alle veiligheidswaarschuwingen ontworpen met het  symbool en alle instructies.









VEILIGHEIDSSYMBOLEN




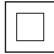
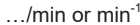
Bepaalde van de hieronder volgende symbolen kunnen gebruikt worden op dit gereedschap. Kijk ernaar en leer wat ze betekenen. Een juiste interpretatie van deze symbolen zal u in staat stellen het gereedschap efficiënter en veiliger te gebruiken.

Dangerous Location	Precaution	Marking Label
Draadloze bladblazer gebruiken Bladblazer	Electrostatic discharge devices that may be dangerous to persons bearing pacemakers. If the relative humidity is lower than 20%, please use static eliminator to depress electrostatic phenomenon to prevent the electric shock hazard by electrostatic.	
Draadloze bladblazer gebruiken Bladblazer	Eyes protection with safety glass	
Draadloze bladblazer gebruiken Bladblazer	Read the instruction manual carefully before proceeding with start-up, operation, maintenance, or any other jobs on the tool.	
Draadloze bladblazer gebruiken Bladblazer	Ears protection	
Draadloze bladblazer gebruiken Bladblazer	Prevent vibration and using wrench in a short time. Should wear vibration-absorbing gloves and watch out no loosen parts of gloves to prevent entanglement by wrench.	
Draadloze bladblazer gebruiken Bladblazer	handschoenen en een stofmasker, moeten	
Draadloze bladblazer gebruiken Bladblazer	Het apparaat mag niet worden blootgesteld aan regen of ondergedompeld worden in water.	

VEILIGHEIDSSYMBOLEN

<p>Draadloze bladblazer gebruiken Bladblazer</p>	<p>Zorg dat geen enkel deel van het apparaat in contact komt met vlammen of vlam vat.</p>	
<p>Draadloze bladblazer gebruiken Bladblazer</p>	<p>Stel de batterij of het gereedschap niet bloot aan vuur of buitensporige temperaturen.</p>	
<p>Draadloze bladblazer gebruiken Bladblazer</p>	<p>Dit symbool wordt in deze handleiding gebruikt om de gebruiker te waarschuwen voor mogelijke risico's. Lees en begrijp deze secties voordat gebruik van het apparaat.</p>	
<p>Draadloze bladblazer gebruiken Bladblazer</p>	<p>Niet blootstellen aan regen</p>	
<p>Draadloze bladblazer gebruiken Bladblazer</p>	<p>Houd omstanders uit de buurt</p>	
<p>Draadloze bladblazer gebruiken Bladblazer</p>	<p>Danger due to ejected parts! Houd omstanders uit de buurt</p>	

VEILIGHEIDSSYMBOLEN

Draadloze bladblazer gebruiken Bladblazer	Het gegarandeerde geluidsvermogensniveau op dit label is 96 dB.	
Directe stroom	Karakteristieken van de stroom	
Geen laad snelheid	Rotatiesnelheid bij het niet laden	
Klasse II constructie	Dubbel geïsoleerde constructie	
Per minuut	Revoluties, slagen, oppervlakte snelheid omwentelingen, enz... per minuut.	

⚠ WAARSCHUWING Om veiligheid en betrouwbaarheid te garanderen, moeten alle reparaties worden uitgevoerd door een gekwalificeerde servicetechnicus.

SPECIFIEKE VEILIGHEIDSREGELS

SPECIFIEKE VEILIGHEIDSREGELS VOOR

1. Gebruik alleen de hieronder vermelde laders en batterijen:

BATTERIJ	LADER
DB-1850P	DC-18A

WAARSCHUWING

Enkel gebruik bij **m7** Li-ion Batterij pakket.

Enkel gebruik bij de **m7** batterijlader

2. Draag altijd een veiligheidsbril en gehoorbescherming wanneer u dit gereedschap gebruikt.
3. Voorkom trillingen en gebruik een sleutel in korte tijd. Draag trillingsdempende handschoenen en pas op dat geen delen van de handschoenen losraken om verstriking door de sleutel te voorkomen.
4. Zorg ervoor dat de schakelaar in de uitstand staat voordat u de accu plaatst. Het plaatsen van de accu in elektrisch gereedschap met de schakelaar op "aan" kan ongelukken veroorzaken.
5. Controleer het accessoire zorgvuldig vooraf op scheuren, barsten of schade voor installatie.
6. Bit, doppen en gereedschappen worden heet tijdens het gebruik. Draag handschoenen wanneer u ze na gebruik aanraakt.
7. Verwijder de accu voordat u accessoires verwisselt. Het kan per ongeluk worden gestart, omdat accu-apparaten met een geplaatste accu in permanente werkende staat verkeren.

WAARSCHUWING

Sommige stofdeeltjes die ontstaan bij elektrisch schuren, zagen, slijpen, boren en andere bouwactiviteiten bevatten chemicaliën waarvan bekend is dat ze kanker, geboortefwijkingen of andere reproductieve schade veroorzaken. Enkele voorbeelden van deze chemicaliën zijn:

- Lood van verf op loodbasis
- Kristallijn silica van bakstenen en cement en andere metselproducten
- Arseen en chroom van chemisch behandeld timmerhout.

Uw risico van deze blootstellingen varieert, afhankelijk van hoe vaak u dit soort werk doet. Om de blootstelling aan deze chemicaliën te vermindere: werk in een goed geventileerde ruimte en werk met een goedgekeurde veiligheidsuitrusting, zoals stofmaskers die speciaal zijn ontworpen om microscopisch kleine deeltjes uit te filteren.

VEILIGHEIDSREGELS VOOR DE OPLADER

1. Voordat u de batterijlader gebruikt, dient u alle instructies en waarschuwingen in deze handleiding, op de batterijlader, de batterij en het product te lezen om misbruik van de producten en eventuele verwondingen of schade te voorkomen.

VOORZICHTIG

Om het risico van elektrische schokken of schade aan de oplader en de batterij te verkleinen, laadt u alleen oplaadbare lithium-ionbatterijen op zoals specifiek vermeld op het label van de oplader. Andere soorten batterijen kunnen barsten, hetgeen persoonlijk letsel of schade teweeg kan brengen.

2. Gebruik de oplader niet buitenshuis en stel hem niet bloot aan natte of vochtige omstandigheden. Water dat de oplader binnendringt, verhoogt het risico op elektrische schokken.
3. Het gebruik van een accessoire dat niet aanbevolen of verkocht wordt door de fabrikant van de batterijlader kan brand, een elektrische schok of lichamelijk letsel veroorzaken.
4. Maak geen misbruik van het snoer of de oplader. Gebruik nooit het snoer om de oplader te dragen. Trek niet aan het snoer van de oplader om de stekker uit het stopcontact te halen. Er kan schade aan het snoer of de oplader optreden en gevaar voor elektrische schokken veroorzaken. Vervang beschadigde snoeren onmiddellijk.
5. Zorg ervoor dat het snoer zo is geplaatst dat er niet op getrapt, erover gestruikeld wordt of in contact kan komen met scherpe randen of bewegende delen, of op een andere manier onderworpen is aan schade of spanning. Dit verkleint het risico van per ongeluk vallen, wat kan verwonden en schade aan het snoer kan veroorzaken, hetgeen een elektrische schok met zich mee kan brengen.
6. Bescherm het snoer en de oplader tegen hitte om schade aan de behuizing of de interne onderdelen te voorkomen.
7. Voorkom dat benzine, oliën, producten op basis van aardolie enz. In contact komen met plastic onderdelen. Deze materialen bevatten chemicaliën die plastic kunnen beschadigen, verzwakken of vernietigen.

8. Een verlengsnoer mag alleen worden gebruikt als dit absoluut noodzakelijk is. Gebruik van een ongepast verlengsnoer kan leiden tot een risico op brand en elektrische schokken. Als er een verlengsnoer moet worden gebruikt, zorg er dan voor dat:

- de snoerstekker hetzelfde aantal pinnen heeft als die van de oplader en dat zijn pinnen dezelfde vorm en grootte hebben.
- de snoer goed bedraad en elektrisch in goede staat is
- de maat groot genoeg is voor de nominale intensiteit van de oplader zoals hieronder vermeld :

De lengte van het snoer (ft) 25' 50' 100'

Maat van het snoer (AWG) **16 (AWG)**

NOTA : AWG = American Wire Gauge

9. Gebruik de lader niet met een beschadigd snoer of stekker, dit zou kortsluiting en een elektrische schok kunnen veroorzaken. Als de lader beschadigd is, laat het dan repareren of vervangen door een bij de klantenservice erkende technicus.
10. Gebruik de lader niet als deze een heftige stoot heeft ondervonden, als het gevallen of beschadigd is op welke manier dan ook. Breng het dan naar een erkende technicus van de klantenservice voor een elektrische controle om na te gaan of de lader in goede functionele staat verkeerd.
11. Demonteer de lader niet. Breng het naar een erkende technicus van een klantenservice als onderhoud of reparatie nodig is. Onjuiste montage kan een elektrische schok of brand met zich mee brengen.
12. Trek de stekker uit het stopcontact voor elk onderhoud of reiniging om het risico op elektrische schokken te verminderen.
13. Haal de stekker van de lader uit het stopcontact als u de lader niet gebruikt. Dat verkleint het risico op een elektrische schok of beschadiging van de lader als metalen voorwerpen in de opening vallen. Dat vermijdt ook dat de lader beschadigd wordt tijdens een stroompiek.
14. Risico op een elektrische schokken. Raak niet het niet-geïsoleerde gedeelte van de uitgangconnector of de niet-geïsoleerde accupool aan.

15. Bewaar deze instructies. Raadpleeg ze vaak en gebruik ze om andere gebruikers over dit apparaat te informeren. Als u dit gereedschap aan iemand uitleent, leen hen dan ook deze instructies om slecht gebruik van het gereedschap te voorkomen.

 **WAARSCHUWING**

Bepaald stof dat ontstaat door snijden met een machine bevat chemicaliën die kanker, geboortefwijkingen of andere problemen ten aanzien van de voortplanting kunnen veroorzaken. Hier zijn enkele voorbeelden van deze chemicaliën :

■ Lood uit op lood gebaseerde verf

■ Arseen en chroom uit chemisch reagerend hout.

Het risico op deze blootstellingen is afhankelijk van hoe vaak u dit soort werk doet. Om de blootstelling aan deze chemicaliën te verminderen: werk in een goed geventileerde ruimte en werk met goedgekeurde veiligheidsuitrusting.

ALGEMENE INFORMATIE

1. Het serienummer van mighty 7 vindt u terug in het 2de/3de digitale nummer en de maanden zijn het 4de/5de nummer.

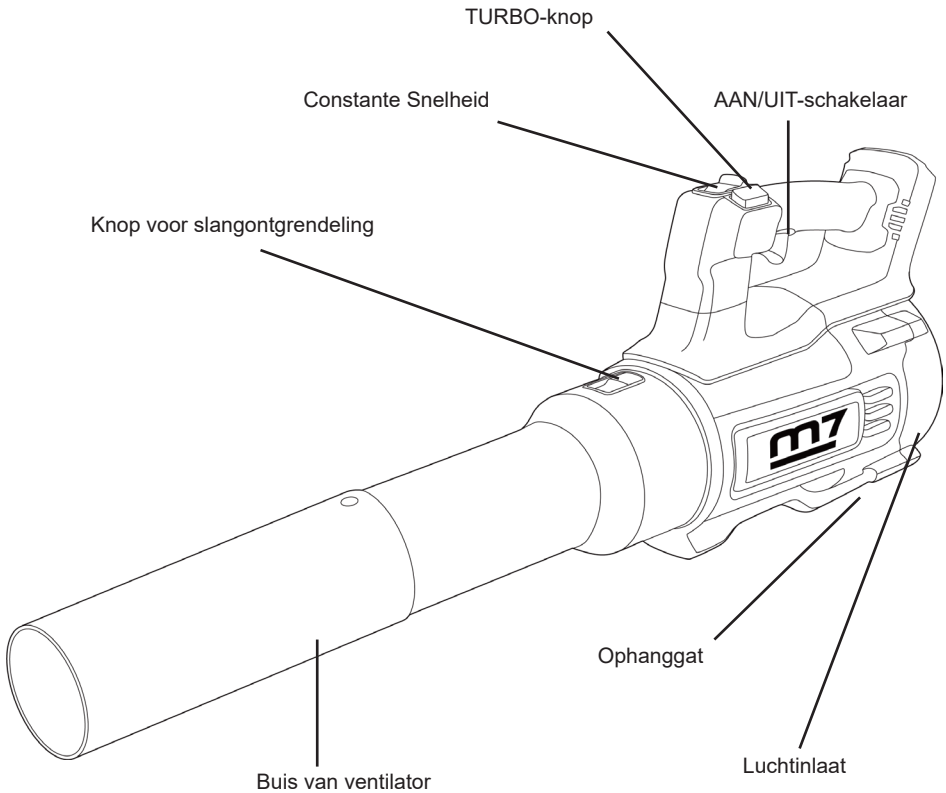


BEDIENINGSCONTROLE



De machine is bedoeld voor het blazen van stof.

1. Hoofdonderdelen van DLB-102



KENMERKEN

2. Kenmerken gereedschap:

Model	DLB-102
Li-ion batterij	DB-1850P (5.0 Ah)
Ingang lader	220-240V~
Toegelaten werktemperatuur (°C)	0-40
Geschat voltage	18Vd.c. (18)
no/NO geladen snelheid (Min)	7100-11600 min⁻¹ \ 14000 min⁻¹
Luchtsnelheid Max.	22,5-37,5 m/s \ 45 m/s
Luchtvolume	230-380 cfm \ 460 cfm
Looptijd 5.0Ah batterij	20 minuten
Weight	2.6 kg

NOTA: Vanwege het voortdurende **m7** ontwikkelingsprogramma zijn de specificaties in deze handleiding

gegeven als algemene informatie en zijn niet bindend. We behouden ons het recht voor om op elk moment en zonder voorafgaande kennisgeving wijzigingen of wijzigingen door te voeren aan onderdelen, fittingen en accessoires die om welke reden dan ook noodzakelijk worden geacht.

DLB-102:

A-gewicht geluidsdrukniveau meting: $L_{pa} = 88$ db, onzeker $K_{pa} = 3$ db

A- gewicht geluidskrachtniveau onder calculatie: $L_{wa} = 95$ db, onzeker $K_{wa} = 1.1$ db




Vibration level (m/s^2): $0.2 m/s^2$, Uncertainty $K = 1.5 m/s^2$



VOORZICHTIG

Voorkom trillingen en gebruik een sleutel in korte tijd. Draag trillingsdempende handschoenen en pas op dat geen delen van de handschoenen losraken om verstrikking door de sleutel te voorkomen.

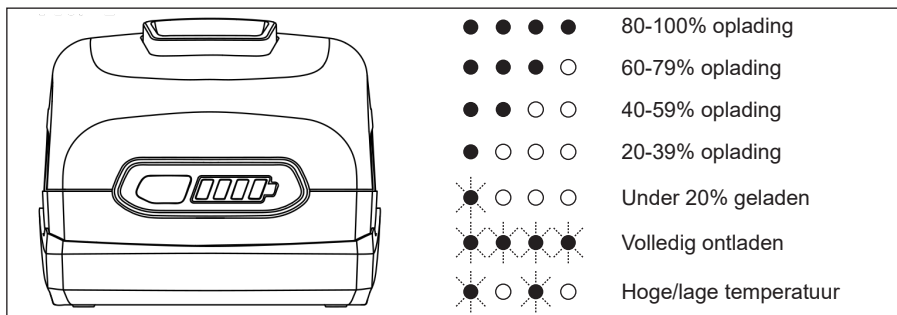
1. LED FUNKTIES VAN DE OPLADER

LED INDICATOR	ACCU	RODE LED	GROENE LED	ACTIE
HI/LO TEMP. (zie handleiding)	 BATTERIJ KOUD/ WARM	AAN	UIT	Het opladen begint zodra de temperatuur tussen 5°C en 40°C is.
 BATTERIJ DEFECT	 DEFECT	KNIPPERT	UIT	Accu of oplader is defect
BATTERIJ LAADT OP	 LAADT OP	UIT	KNIPPERT	Laadt op
BATTERIJ OPGELADEN	 VOLLEDIG OPGELADEN	UIT	AAN	Het opladen is beëindigd

2. POWER BAR

Deze lithium-ionbatterij is uitgerust met een POWER BAR, die wordt gebruikt om de resterende autonomie van de batterij aan te geven. Druk op de POWER BAR-knop om de LED-indicatoren weer te geven. De LED-lampjes blijven ongeveer 4 seconden branden.

OPMERKING : DE POWER BAR kan gebruikt worden als de batterij bevestigd is op of verwijderd is uit het gereedschap.



3. INDICATOR LAGE BATTERIJCAPACITEIT

- Als de LED werklampen op de POWER BAR snel en aanhoudend knipperen, terwijl de trigger op het gereedschap is ingedrukt, dan is de accu leeg en moet deze opgeladen worden.
- In tegenstelling tot andere soorten batterijen, bieden de lithium-ion batterijen een vermogen zonder hun kracht te verminderen tijdens de hele tijd van het functioneren. Het gereedschap ondergaat geen langzame en geleidelijke krachtvermindering terwijl u aan het werkt bent. Om aan te geven dat de batterij bijna leeg is en opnieuw geladen moet worden, zal de kracht van het gereedschap plotseling afnemen. Op de POWER BAR zullen vier LED lampjes gaan knipperen als het gereedschap volledig ontladen is. Verwijder het gereedschap van het werkstuk en laadt de accu opnieuw op als dit nodig is.

OPMERKING : De POWER BAR kan ook vier knipperende LED lampjes laten branden als er sprake is van overbelasting of een hoge temperatuur.

4. WANNEER EEN BATTERIJ OPLADEN

De lithium-ion batterij kan op elk moment opgeladen worden en ontwikkelt geen "geheugen" als hij opgeladen is na een gedeeltelijke ontlading. Het is niet nodig om de batterij volledig te ontladen voordat u deze opnieuw oplaadt. Haal de batterij uit het gereedschap, wanneer het u het beste uitkomt.

- Gebruik de POWER BAR om te vast te stellen wanneer u de batterij opnieuw op moet laden.
- U kunt uw batterij opnieuw opladen voordat u er gedurende lange tijd mee gaat werken.

MONTAGE

! WAARSCHUWING

Als een onderdeel kapot is of ontbreekt, probeer dan NIET om de accu te bevestigen of het gereedschap te gebruiken totdat het kapotte of ontbrekende onderdeel is vervangen. Als u dit niet doet, zou dit tot ernstig letsel kunnen leiden.

! WAARSCHUWING

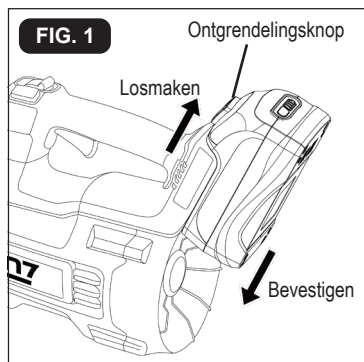
Probeer dit gereedschap niet aan te passen of accessoires te maken die niet worden aanbevolen voor dit gereedschap. Elke dergelijke wijziging of aanpassing is misbruik en kan leiden tot een gevaarlijke situatie hetgeen ernstig letsel kan veroorzaken.

! WAARSCHUWING

Uw gereedschap mag nooit worden aangesloten op de stroombron wanneer u onderdelen monteert, aanpassingen aanbrengt, accessoires installeert of verwijderd, u het gereedschap reinigt of wanneer het niet wordt gebruikt. Door het gereedschap los te koppelen, wordt onbedoeld starten voorkomen, wat ernstig persoonlijk letsel kan veroorzaken.

MONTAGE

INSTALLATIE VAN DE BATTERIJ (FIG. 1)



1. Controleer of het gereedschap is uitgeschakeld.
2. Lijn de verhoogde ribbel op de accu uit met de groeven aan de onderkant van het draadloze van het draadloze apparaat en schuif de accu op het apparaat.

UITPAKKEN

1. Haal het gereedschap en eventuele accessoires voorzichtig uit de doos. Controleer of alle items op de paklijst aanwezig zijn.
2. Inspecteer het gereedschap zorgvuldig om er zeker van te zijn dat er geen breuk of schade is opgetreden tijdens het transport.
3. Gooi het verpakkingsmateriaal pas weg als u het gereedschap zorgvuldig heeft geïnspecteerd en naar tevredenheid heeft gebruikt.

OPMERKING: Zorg ervoor dat de vergrendeling op de accu op zijn plaats klikt en de accu op zijn plaats vastklikt en de accu op het draadloze apparaat is bevestigd voordat gebruik.

DE BATTERIJ LOSKOPPELEN (FIG. 2)

1. Zorg ervoor dat het draadloze gereedschap uitgeschakeld is.
2. Druk op de ontgrendelknop op de batterij om deze te ontgrendelen.
3. Trek de batterij uit en verwijder het uit het draadloze gereedschap.

WERKING

FIG. 2

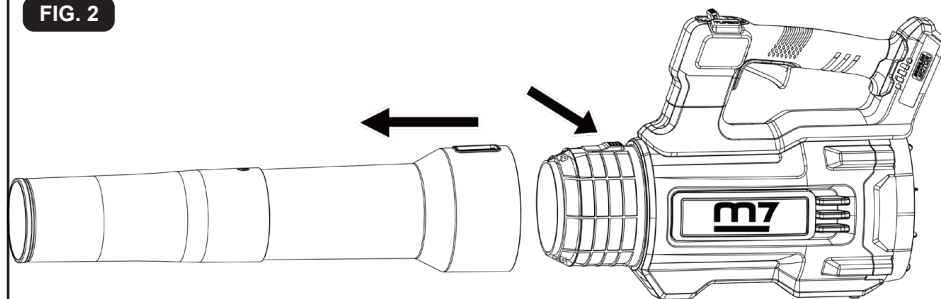
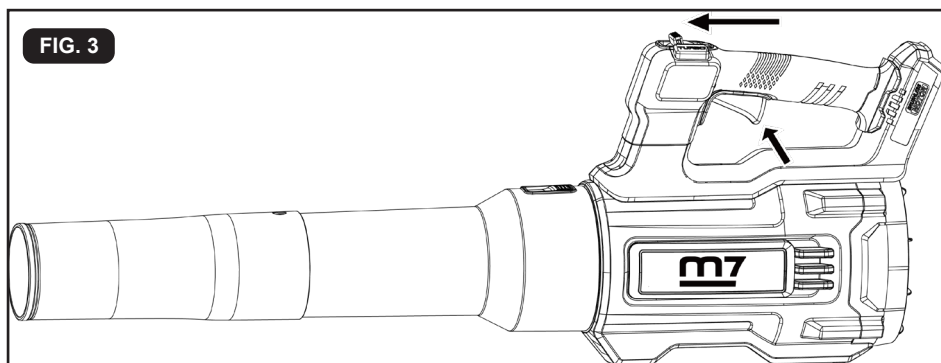


FIG. 3



WAARSCHUWING

Om te voorkomen dat het apparaat per ongeluk wordt gestart en dit ernstig persoonlijk letsel kan veroorzaken, moet u altijd de accu uit het product verwijderen wanneer u het apparaat monteert en afstelt. uit het product wanneer u het apparaat monteert en afstelt.

STARTBEDIENING

- Druk de AAN/UIT trekker in om het elektrische gereedschap te starten en laat hem los om te stoppen. De snelheid wordt geregeld door de hoeveelheid druk die op de trekker wordt uitgeoefend. De snelheid wordt geregeld door de druk op de trekker.
- Voor continu gebruik drukt u de AAN/UIT trekker in en duwt u tegelijkertijd de knop voor constante snelheid naar voren, zoals getoond in Figuur C. Dan werkt het product continu op constante snelheid. De snelheid wordt hoger wanneer de knop naar links wordt geduwd. stopt de continue werking.
- Super Snelheid, druk op de TURBO knop, product werkt in super snelheid, wanneer loslaten, zal het stoppen.

WERKING ADVIES

Blaas nooit vuil in de richting van omstanders.

Houd het elektrische apparaat altijd ongeveer 3 cm boven de grond tijdens het werk.

Blaas geen heet, brandbaar of explosief materiaal.

Zorg ervoor dat de luchtinlaat tijdens het blazen geen verontreinigingen kan aanzuigen.

WERKING

 WAARSCHUWING

Draag altijd een veiligheidsbril of een veiligheidsbril met zijkappen tijdens werkzaamheden met elektrisch gereedschap of bij het wegblazen van stof. Draag bij stoffige werkzaamheden ook een stofmasker.

 WAARSCHUWING

Laat nooit remvloeistoffen, benzine, petroleumproducten, kruipolie enz. in contact komen met kunststof onderdelen. Chemicaliën kunnen plastic beschadigen, verzwakken of vernietigen, wat kan leiden tot ernstig persoonlijk letsel.

BEDIENING

1. ACCU OPLADEN

De batterij wordt gedeeltelijk opgeladen geleverd. Om de volledige capaciteit van de batterij te garanderen, laadt u de batterij eerst volledig op in de batterijlader voor het eerste gebruik.

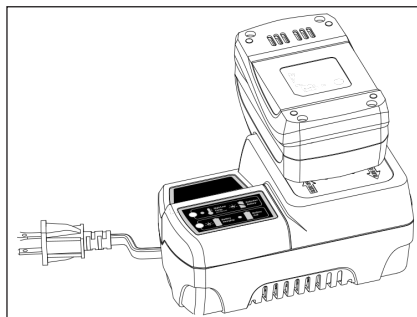
Een volledig ontladen accu laadt de DB-1850P in 50 minuten op bij een omgevingstemperatuur tussen 0 ° C (32 ° F) en 40 ° C (104 ° F).

1. Laad de lithium-ionbatterij op met de juiste oplader.
2. Sluit de oplader aan op een stopcontact.
3. Lijn de opstaande ribben van de accu uit met de sleuf in de oplader.
4. Schuif de accu op de oplader.
5. De oplader zal communiceren met de accu om de toestand van de accu te evalueren.
6. De LED-oplaadindicatoren knipperen van rechts naar links tijdens het opladen. Dit maakt deel uit van het normale oplaadproces.

7. Wanneer het laadproces is voltooid, blijft de groene LED-indicator branden en gaan de LED-oplaadindicatoren branden wanneer de aan / uit-knop wordt ingedrukt en de batterij op de oplader zit.

8. De accu wordt volledig opgeladen als hij op de oplader blijft, maar hij zal niet overladen.

OPMERKING: Voor uw gemak kan de oplader werken met de meeste generatoren en omvormers van 300 watt of meer.



ONDERHOUD

Het gereedschap kan het beste worden gereinigd met droge perslucht. Draag altijd een veiligheidsbril bij het reinigen van gereedschap met perslucht.

Gebruik geen oplosmiddelen bij het reinigen van plastic onderdelen. De meeste kunststoffen zijn vatbaar voor beschadiging door verschillende soorten commerciële oplosmiddelen en kunnen worden beschadigd door het gebruik ervan. Gebruik schone lappen om vuil, stof, olie, vet enz. te verwijderen.

VOOR ELK GEBRUIK

1. Controleer de schuurmachine, de aan/uit-schakelaar en de accessoires op beschadiging.
2. Controleer op beschadigde, ontbrekende of versleten onderdelen.

3. Controleer of er geen losse schroeven, verkeerde uitlijning of vastlopen van bewegende delen of andere omstandigheden zijn die de werking kunnen beïnvloeden.

4. In geval van abnormale trillingen of geluid moet het gereedschap onmiddellijk worden uitgeschakeld en moet het probleem worden verholpen voordat het wordt gebruikt.

5. Verwijder de batterij uit de slagmoersleutel voordat u deze reinigt of onderhoudt. Perslucht kan de meest effectieve reinigingsmethode zijn. Draag altijd een veiligheidsbril bij het reinigen van gereedschap met perslucht.

SMERING

Alle lagers van dit gereedschap worden gesmeerd met voldoende smeermiddel van hoge kwaliteit voor de levensduur van de machine onder normale omstandigheden. Daarom is er geen extra smering nodig.

ACCESSOIRES

NO

PROBLEEMOPLOSSING

Verwijder de accu uit het elektrische apparaat voordat u werkzaamheden aan het apparaat uitvoert (bijv. onderhoud, wisselen van gereedschap enz.). De batterij moet ook worden verwijderd voor transport en opslag. Er bestaat risico op letsel door onbedoeld indrukken van de aan/uit-schakelaar. Houd het elektrische apparaat en de ventilatiesleuven altijd schoon voor een veilige en efficiënte werking.

OORZAAK	OORZAAK	OPLOSSING
De draadloze blazer werken.	De batterij is leeg.	Laad de batterij op.
De draadloze blazer werkt niet en de LED-werklamp van het gereedschap knippert.	Het gereedschap is oververhit.	Laat het gereedschap afkoelen.
De draadloze blazer werkt niet en het LED lampje knippert.	De batterij is oververhit.	Laat de batterij afkoelen.

MILIEUBESCHERMING



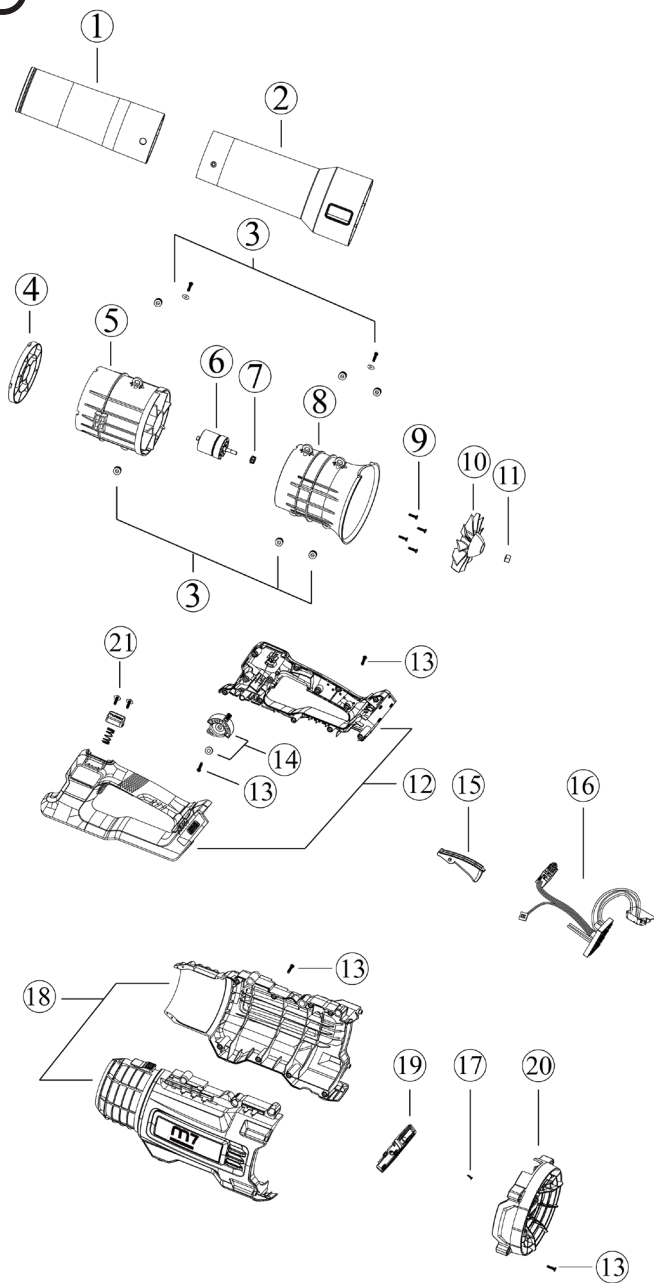
1. Gereedschap, accessoires en verpakking moeten worden gesorteerd voor milieuvriendelijke recycling.
2. Elektrisch gereedschap en accessoires bevatten aan het einde van hun levensduur nog grote hoeveelheden waardevolle grondstoffen en kunststoffen die ook weer in een recyclingproces kunnen worden teruggevoerd.
3. Bepaald stof die door het werk ontstaat, bevat schadelijke chemicaliën die moeten worden verzameld door een speciale vuilnisophaaldienst.
4. Als het gereedschap op zijn levenseind is, behandel het met zorgvuldigheid voor onze omgeving.
 - Ontlaadt het batterij pakket leeg, en verwijder het van het gereedschap.
 - Li-ion cellen zijn recycleerbaar. Breng ze naar uw dealer of naar uw lokaal recyclagepark. De batterijpakketten zullen zorgvuldig gerecycleerd worden.

Onderhouden

1. Neem in geval van garantie, reparatie of aankoop van vervangende onderdelen altijd contact op met het gekwalificeerde servicecentrum. Graag leveren met het efficiënte serviceformulier en factuur.
2. Het valt buiten de garantie als het gereedschap vanwege normale slijtage, overbelasting of onjuist gebruik of beschadiging buiten werking is geraakt.



Accu bladblazer
Referentie artikel : DLB - 102



Losse stukken **DLB - 102**

NO.	INDEX NO.	DESCRIPTION	Q'TY
1	DLB-102P01	EXHAUST TUBE CASING	1
2	DLB-102P02	EXHAUST TUBE	1
3	DLB-102T03	SCREW ASSEMBLY	1 SET
4	DLB-102P04	RETAINING RING	1
5	DLB-102P05	CONE SECTION	1
6	DLB-102P06	MOTOR	1
7	DLB-102P07	AXLE SLEEVE	1
8	DLB-102P08	BELL TUBE	1
9	DLB-102T09	ST4*10 SCREW (4 PCS)	1 SET
10	DLB-102P10	FAN	1
11	DLB-102P11	NUT M5	1
12	DLB-102T12	HANDLE	1 SET
13	DLB-102T13	ST3.9*14 SCREW (26 PCS)	1 SET
14	DLB-102T14	CONSTANT SPEED KNOB	1 SET
15	DLB-102P15	TRIGGER	1
16	DLB-102T16	ELECTRONICS ASSEMBLY	1 SET
17	DLB-102P17	ST2.9*10 SCREW	1
18	DLB-102T18	MOTOR HOUSE	1 SET
19	DLB-102T19	BATTERY CONNECTING DEVICE	1 SET
20	DLB-102P20	BACK COVER	1
21	DLB-102T21	TRIGGER SET	1 SET

Garantiebewijs

Beperkte fabrieksgarantie

Mighty Seven International Co., LTD. biedt een beperkte garantie op producten vervaardigd door **Mighty Seven** die over de hele wereld verkocht worden door zijn erkende dealers.

De beperkte garantie is alleen van toepassing op producten waarvan het materiaal en de fabricage defect zijn en is niet van toepassing op producten die misbruikt zijn.

Als een **Mighty Seven**-product defect is, stuur het dan terug naar de dealer waar het is gekocht, onder vermelding van uw contactgegevens.

Reparaties of vervangingen zijn gegarandeerd zoals hierboven beschreven; anders wordt de reparatie- of vervangingservice in rekening gebracht.

Gelieve dit garantiebewijs bewaren

Aankoopdatum	Artikelnummer
Verlooptdatum garantie	Serienummer
Stempel van de detailhandelaar	
	

Aankoopdatum :	Artikelnummer :
Verlooptdatum garantie :	Serienummer :
Naam :	
Naam van het bedrijf :	
Adres :	
Telefoon :	Fax:
E-Mail:	
Bedrijfssector :	
<input type="checkbox"/> Landbouw	<input type="checkbox"/> Lak-en carrossiereparatie
<input type="checkbox"/> Algemene autoreparatie	<input type="checkbox"/> Openbare werken / Openbare diensten
<input type="checkbox"/> Banden	<input type="checkbox"/> Fabriek
<input type="checkbox"/> Onderhoud/reparatie van vrachtwagens	<input type="checkbox"/> Huishoudelijk gebruik
<input type="checkbox"/> Autofabrikant	<input type="checkbox"/> Overig